

# Accessory Dwelling Unit Studio - 400 s.f. Carlsbad, CA

## SHEET INDEX

T1.1	TITLE SHEET
T1.2	EXTERIOR STYLE OPTIONS
AS.1	SITE INFORMATION
AS.2	SITE PLAN (PROVIDED BY OWNER)
G0.1	CAL GREEN CHECKLIST
G0.2	GENERAL NOTES
G0.3	HIGH & VERY HIGH FIRE ZONE SEVERITY NOTES
A0.1	SCHEDULES & NOTES
A1.1	FLOOR PLAN/ ROOF PLAN CONTEMPORARY
A1.2	FLOOR PLAN/ ROOF PLAN FARMHOUSE
A1.3	FLOOR PLAN/ ROOF PLAN SPANISH
A2.1	MECHANICAL/PLUMBING/ELECTRICAL PLANS
A3.1	EXTERIOR ELEVATIONS CONTEMPORARY
A3.2	EXTERIOR ELEVATIONS FARMHOUSE
A3.3	EXTERIOR ELEVATIONS SPANISH
A4.1	BUILDING SECTIONS CONTEMPORARY
A4.2	BUILDING SECTIONS FARMHOUSE
A4.3	BUILDING SECTIONS SPANISH
A5.1	ARCHITECTURAL WALL & ROOF DETAILS
A5.2	ARCHITECTURAL ROOF DETAILS
A5.3	AGING IN PLACE DETAILS AND SPECIFICATIONS
S.1	STRUCTURAL NOTES & SPECIFICATIONS
S.2	FOUNDATION PLANS
S.3	FRAMING PLANS
S.4	STRUCTURAL DETAILS
S.5	STRUCTURAL DETAILS
S.6	STRUCTURAL DETAILS
T24.1	ENERGY CALC.
T24.2	ENERGY CALC.
T24.3	ENERGY CALC.

CONTACT LOCAL UTILITY COMPANIES REGARDING GAS AND ELECTRIC SERVICES TO THIS DETACHED ADU. SEE EXAMPLE SITE PLAN, SHEET AS.2, FOR MORE INFORMATION

## APPLICANT AGREEMENT

APPLICANT AGREES TO PROVIDE ALL NECESSARY INFORMATION REQUIRED TO COMPLETE THESE CONSTRUCTION DOCUMENTS. MODIFICATIONS TO THE PERMIT READY DOCUMENTS PROVIDED BY DESIGN PATH STUDIO ARE TO BE DISCLOSED BY THE APPLICANT AND APPROVED BY THE AUTHORITY HAVING JURISDICTION. CHANGES TO PLANS ARE TO BE NOTED IN THE CHECKLIST BELOW. ANY MODIFICATIONS TO THESE CONSTRUCTION DOCUMENTS REQUIRES EACH SHEET TO BE SIGNED BY THE PERSON WHO MADE THE CHANGES. ANY ADDITIONAL SHEETS INCORPORATED INTO THESE DOCUMENTS ALSO REQUIRES A SIGNATURE BY THE PERSON WHO PREPARED THE INFORMATION. THE FOUNDATION DESIGN FOR THESE PERMIT READY CONSTRUCTION DOCUMENTS ASSUMES STANDARD SOILS CONDITIONS AND LEVEL TOPOGRAPHY. IF SITE SPECIFIC CONDITIONS REQUIRE A FOUNDATION DESIGN BEYOND WHAT IS PROVIDED IN THESE DOCUMENTS THEN THE APPLICANT IS TO PROVIDE A NEW FOUNDATION DESIGN WHICH COMPLIES WITH THE RECOMMENDATIONS OF THE GEOGRAPHICAL ENGINEER'S REPORT.

### modifications to permit ready plans:

YES	NO	MODIFIED ITEMS (IF ANY)
<input type="checkbox"/>	<input type="checkbox"/>	BUILDING DESIGN CHANGE
<input type="checkbox"/>	<input type="checkbox"/>	FOUNDATION DESIGN CHANGE

DESCRIPTION OF CHANGE

REASON FOR CHANGE

SIGNATURE: \_\_\_\_\_ DATE: \_\_\_\_\_

BY USING THESE PERMIT READY CONSTRUCTION DOCUMENTS, THE RECIPIENT ACKNOWLEDGES, ACCEPTS AND VOLUNTARILY AFFIRMS THE FOLLOWING CONDITIONS:

- THE USE OF THIS INFORMATION IS RESTRICTED TO THE ORIGINAL PROJECT FOR WHICH IT WAS PREPARED FOR THE PERMIT READY ACCESSORY DWELLING UNIT (ADU) PROGRAM FOR THE CITY OF CARLSBAD ONLY. THIS IS A LIMITED SET OF STANDARDIZED ADU PLANS AND SPECIFICATIONS APPROVED BY THE CITY OF CARLSBAD BUILDING DEPARTMENT. BUILDING CODES DO CHANGE OVER TIME AND RECIPIENT SHALL ENSURE FULL COMPLIANCE UNDER ALL CODES THEN IN EFFECT AT THE TIME OF THE SUBJECT PERMIT. THIS DOES NOT ELIMINATE OR REDUCE THE RECIPIENT'S RESPONSIBILITY TO VERIFY ANY AND ALL INFORMATION RELEVANT TO THE RECIPIENT'S WORK AND RESPONSIBILITY ON THIS PROJECT. DESIGN PATH STUDIO SHALL NOT BE RESPONSIBLE FOR TRANSLATION ERRORS. DO NOT USE THESE CONSTRUCTION DOCUMENTS IF THE PERMIT HAS EXPIRED OR IS REVOKED AT ALL.
- THE RECIPIENT RECOGNIZES AND ACKNOWLEDGES THAT THE USE OF THIS INFORMATION WILL BE AT THEIR SOLE RISK AND WITHOUT ANY LIABILITY OR LEGAL EXPOSURE TO DESIGN PATH STUDIO. NO WARRANTIES OF ANY NATURE, WHETHER EXPRESS OR IMPLIED, SHALL ATTACH TO THESE DOCUMENTS AND THE INFORMATION CONTAINED THEREON. ANY USE, REUSE, OR ALTERATION OF THESE DOCUMENTS BY THE RECIPIENT OR BY OTHERS WILL BE AT THE RECIPIENT'S RISK AND FULL LEGAL RESPONSIBILITY. FURTHERMORE, THE RECIPIENT WILL, TO THE FULLEST EXTENT PERMITTED BY LAW, DEFEND, INDEMNIFY AND HOLD DESIGN PATH STUDIO AND ITS ARCHITECTS HARMLESS FROM ANY AND ALL CLAIMS, SUITS, LIABILITY, DEMANDS, JUDGMENTS, OR COSTS ARISING OUT OF OR RESULTING THERE FROM ANY USE OF THESE CONSTRUCTION DOCUMENTS FOR OR ON ACCOUNT OF ANY INJURY, DEATH, DAMAGE OR LOSS TO PERSONS OR PROPERTY, DIRECT OR CONSEQUENTIAL DAMAGES IN ANY AMOUNT, THIS INDEMNITY DOES NOT APPLY TO THE SOLE NEGLIGENCE OR WILLFUL MISCONDUCT OF DESIGN PATH STUDIO OR ITS ARCHITECTS.
- THE DESIGNS REPRESENTED BY THESE PLANS ARE COPYRIGHTED AND ARE SUBJECT TO COPYRIGHT PROTECTION.
- IF THE RECIPIENT DOES NOT AGREE WITH THE ABOVE CONDITIONS, DO NOT PROCEED WITH CONSTRUCTION OF AN ADU OR OTHER IMPROVEMENT UNDER THESE PLANS AT ALL.

## ZONING INFORMATION

CONTACT CITY OF CARLSBAD FOR THE INFORMATION BELOW:  
EMAIL: [planning@carlsbadca.gov](mailto:planning@carlsbadca.gov) PHONE: (442)339-2610

ZONING : \_\_\_\_\_

OVERLAY : \_\_\_\_\_

COASTAL ZONE:  NO  YES - REFERENCE MINOR CDP APPLICATION

LOT SIZE : \_\_\_\_\_

EXISTING HABITABLE SQ. FT. : \_\_\_\_\_

FLOOR AREA OF ALL DETACHED NON-HABITABLE STRUCTURES: \_\_\_\_\_

EXISTING LOT COVERAGE: \_\_\_\_\_

ALLOWABLE LOT COVERAGE : \_\_\_\_\_

PROPOSED LOT COVERAGE : \_\_\_\_\_

ADU LOT COVERAGE (INCLUDING PATIO): \_\_\_\_\_

LOT SLOPE : \_\_\_\_\_

ADU SETBACKS FROM PROPERTY LINE

ALLOWED : FRONT- \_\_\_\_\_ PROPOSED : FRONT- \_\_\_\_\_  
REAR- \_\_\_\_\_ REAR- \_\_\_\_\_  
SIDE- \_\_\_\_\_ SIDE- \_\_\_\_\_  
STREET SIDE- \_\_\_\_\_ STREET SIDE- \_\_\_\_\_

ADU SEPARATION FROM MAIN RESIDENCE

PROPOSED : \_\_\_\_\_

OFF STREET PARKING : \_\_\_\_\_  
REQUIRED: \_\_\_\_\_ PROVIDED: \_\_\_\_\_

## DIRECTORY

SITE PLAN & TITLE SHEET INFORMATION PREPARED BY:

COMPANY: \_\_\_\_\_  
CONTACT PERSON: \_\_\_\_\_  
ADDRESS: \_\_\_\_\_

PHONE: \_\_\_\_\_  
EMAIL: \_\_\_\_\_

PROPERTY OWNER:

NAME: \_\_\_\_\_  
ADDRESS: \_\_\_\_\_

PHONE: \_\_\_\_\_  
EMAIL: \_\_\_\_\_

BUILDING DEPARTMENT:

CITY OF CARLSBAD BUILDING DEPARTMENT  
1635 FARDAY AVE,  
CARLSBAD, CA 92008  
P. (442)339-2719

## VICINITY MAP

## BUILDING INFORMATION

GOVERNING CODES: APPROVAL OF THIS PROJECT SHALL COMPLY WITH THE 2022 CALIFORNIA BUILDING CODE, CALIFORNIA RESIDENTIAL CODE (CRC), CALIFORNIA MECHANICAL CODE (CMC), CALIFORNIA PLUMBING CODE (CPC), CALIFORNIA ELECTRICAL CODE (CEC), CALIFORNIA ENERGY CODE (CEC), CALIFORNIA GREEN BUILDING CODE (CGBC) AND CITY OF CARLSBAD MUNICIPAL CODE.

SITE ADDRESS: \_\_\_\_\_

GOVERNING AGENCY: CITY OF CARLSBAD, CA  
OCCUPANCY GROUP: R3  
STORIES: 1  
TYPE OF CONSTRUCTION: VB

## PROJECT DESCRIPTION

NEW CONSTRUCTION OF A ONE-STORY, STUDIO, 1 BATH, DETACHED 415 S.F. ACCESSORY DWELLING UNIT REFER TO PORCH SELECTION CHECKLIST FOR PORCH AREA.

### porch selection:

- CONTEMPORARY PORCH 113 S.F. S.F.
- FARMHOUSE 124 S.F. S.F.
- SPANISH 240 S.F. S.F.

## LEGAL DESCRIPTION

## APN

## HERS NOTES

- PROPERLY COMPLETED AND ELECTRONICALLY SIGNED CERTIFICATE OF INSTALLATION (CF2R FORMS) SHALL BE POSTED WEATHER PROTECTED WITHIN BUILDING FOR REVIEW BY INSPECTORS - EES 10-103(a)3, 10-103(b)1.A - BY THE INSTALLING CONTRACTOR AND SUBMITTED TO THE FIELD INSPECTOR DURING CONSTRUCTION AT THE SITE. FOR PROJECTS REQUIRING HERS VERIFICATION, THE CF2R FORMS SHALL BE REGISTERED WITH A CALIFORNIA APPROVED HERS PROVIDER DATA REGISTRY WITH ITS OWN UNIQUE 21 DIGIT REGISTRATION NUMBER LOCATED AT THE BOTTOM OF EACH PAGE. THE FIRST 12 DIGITS WILL MATCH THE REGISTRATION NUMBER ASSOCIATED WITH THE CF1R FORM. CERTIFICATE OF OCCUPANCY WILL NOT BE ISSUED UNTIL THE CF2R FORMS ARE REVIEWED AND APPROVED.
- PROPERLY COMPLETED & ELECTRONICALLY SIGNED AND REGISTERED CERTIFICATE(S) OF FIELD VERIFICATION AND DIAGNOSTIC TESTING (CF3R) SHALL BE POSTED WEATHER PROTECTED WITHIN THE BUILDING SITE BY A CERTIFIED HERS RATER. A REGISTERED CF3R WILL HAVE A UNIQUE 25 DIGIT REGISTRATION NUMBER LOCATED AT THE BOTTOM OF EACH PAGE. THE FIRST 20 DIGITS OF THE NUMBER WILL MATCH THE REGISTRATION NUMBER ASSOCIATED WITH THE CF2R. CERTIFICATE OF OCCUPANCY WILL NOT BE ISSUED UNTIL THE CF3R IS REVIEWED AND APPROVED. EES 10-103(a)3, 10-103(b)1.A.
- CF1R REGISTRATION FORMS ARE LOCATED ON THE PLANS. IF REGISTRATION IS REQUIRED, A WATER-MARK AND REGISTRATION NUMBER WILL BE VISIBLE.
- HERS TESTS REQUIRED FOR THIS PROJECT ARE:  
QUALITY INSULATION INSTALLATION (QII), INDOOR AIR QUALITY VENTILATION, KITCHEN RANGE HOOD, VERIFIED REFRIGERANT CHARGE, AIRFLOW IN HABITABLE ROOMS (SC3.1.4.1.7), VERIFIED HEAT PUMP RATED HEATING CAPACITY, WALL-MOUNTED THERMOSTAT IN ZONES GREATER THAN 150 FT2 (SC3.4.5), DUCTLESS INDOOR UNITS LOCATED ENTIRELY IN CONDITIONED SPACE (SC3.1.4.1.8)  
KITCHEN RANGE HOOD CFM VERIFICATION (100 CFM, = 3 SONES)  
IAQ MECHANICAL VENTILATION - See new ducting requirements Table 150.0-H
- FOR IAQ FAN - 26,35,46,44 CFM REQUIRED FOR A CONTINUOUSLY OPERATING EXHAUST FAN. PROVIDE A TIMER SWITCH WITH A MANUAL OFF AND A SOUND RATING OF 1 SONE (3 SONES MAX FOR AN INTERMITTANT FAN). THIS FAN TO PROVIDE A WHOLE BUILDING INDOOR AIR QUALITY VENTILATION WITH OUTDOOR AIR IN COMPLIANCE WITH ASHRAE STANDARD 62.2 AS ADOPTED BY THE CALIFORNIA ENERGY COMMISSION
- SOLAR IS REQUIRED. Solar exemption cut off is 1.8 kWdc - this is an owner choice. Studio - 1.140 kWdc IS THE MIN PV REQUIRED TO MEET THE STANDARD DESIGN.  
1Bedroom - 1.68 kWdc IS THE MIN PV REQUIRED TO MEET THE STANDARD DESIGN.  
2Bedroom - 2.01 kWdc IS THE MIN PV REQUIRED TO MEET THE STANDARD DESIGN.  
3Bedroom - 1.70 kWdc IS THE MIN PV REQUIRED TO MEET THE STANDARD DESIGN.
- SPECIAL FEATURES: VCHP required items listed above, exposed slab flooring, and NEEA rated heat pump water heater; specific brand/model or eq.
- NEW ELECTRICAL READY REQUIREMENTS: IF HEAT PUMP WATER HEATER IS NOT INSTALLED, PROVIDE SPACE FOR THIS TYPE OF WATER HEATER. A 240V OUTLET IS REQUIRED FOR WATER HEATER, DRYER, AUTO CHARGING, AND STOVE INCLUDING BREAKER SPACE. ENERGY STORAGE SYSTEM FOR A FUTURE BATTERY SYSTEM (BATTERY READY) IS REQUIRED IF FULL SYSTEM IS NOT INSTALLED.

## REQUIRED SUPPLEMENTAL INFORMATION - TO BE COMPLETED BY OWNER

### additional information to be provided by homeowner:

REFERENCE	COMPLETED / ACKNOWLEDGED
SHEET T1.1	<input checked="" type="checkbox"/>
SHEET AS.2	<input type="checkbox"/>
SHEET AS.1	<input type="checkbox"/>
SHEETS T24.1 - T24.3	<input type="checkbox"/>
SHEET AS.2	<input type="checkbox"/>
FORM B-59	<input type="checkbox"/>
SEPARATE PERMIT	<input type="checkbox"/>
SEPARATE PERMIT	<input type="checkbox"/>
FORM B-64	<input type="checkbox"/>
FORM B-60-A	<input type="checkbox"/>
FORM B-50 & B-55 AND SHEET AS.1	<input type="checkbox"/>
FORM E-32 AND SHEET AS.1	<input type="checkbox"/>
FORM	<input type="checkbox"/>

### electrical service information:

SELECTION

UPGRADED SERVICE - CONTACT SDG&E FOR WORK ORDER

EXISTING SERVICE TO REMAIN

NEW SERVICE - CONTACT SDG&E FOR WORK ORDER

SIZE OF EXISTING SERVICE \_\_\_\_\_ SIZE OF NEW SERVICE \_\_\_\_\_

### gas service information:

SELECTION

UPGRADED SERVICE

EXISTING SERVICE TO REMAIN

NEW SERVICE

SIZE OF EXISTING SERVICE \_\_\_\_\_ SIZE OF NEW SERVICE \_\_\_\_\_

### sewer waste water information:

SELECTION

ADU TO HAVE NEW CONNECTION TO CITY SEWER MAIN

ADU TO CONNECT TO EXISTING RESIDENCE SEWER LATERAL

IF EXISTING HOUSE HAS FOUR OR MORE TOILETS WITH AN EXISTING 3 INCH SEWER DRAIN, A SEPARATE CONNECTION TO THE CITY SEWER MAIN IS REQUIRED FOR THE NEW ADU. REFER TO CURRENT CPC SECTION 703.2 FOR PIPE SIZING REQUIREMENTS

SEPTIC - REQUIRES HEALTH DEPARTMENT APPROVAL

DISTANCE TO CONNECTION \_\_\_\_\_

### noise impact boundary:

SELECTION

ANY NEW RESIDENCE OR ADDITION OF ONE OR MORE HABITABLE ROOMS TO AN EXISTING RESIDENCE LOCATED WITHIN THE NOISE IMPACT BOUNDARY OF AN AIRPORT OR FREEWAY MUST BE DESIGNED TO ENSURE THAT INTERNAL NOISE LEVELS DUE TO AIRPORT OR FREEWAY OPERATIONS DO NOT EXCEED 45 DB. THIS STANDARD MAY BE SATISFIED BY PERFORMING THE ACOUSTICAL ANALYSIS DESCRIBED IN CARLSBAD MUNICIPAL CODE SECTION 1206.4.2 OR BY EMPLOYING THE PRESCRIBED CONSTRUCTION METHODS DESCRIBED IN CARLSBAD MUNICIPAL CODE SECTION 1206.4.3.

PROJECT IS LOCATED WITHIN THE NOISE IMPACT BOUNDARY OF AN AIRPORT OR FREEWAY

PROJECT IS NOT LOCATED WITHIN THE NOISE IMPACT BOUNDARY OF AN AIRPORT OR FREEWAY

### fire sprinkler information:

SELECTION

EXISTING RESIDENCE CURRENTLY HAS FIRE SPRINKLERS

EXISTING RESIDENCE DOES NOT CURRENTLY HAVE FIRE SPRINKLERS

PROPERTY IS LOCATED IN THE VERY HIGH FIRE HAZARD SEVERITY ZONE (VHFSZ)

PROPERTY IS NOT LOCATED IN THE VERY HIGH FIRE HAZARD SEVERITY ZONE (VHFSZ)

\*NEW ADU IS REQUIRED TO HAVE FIRE SPRINKLERS IF THE EXISTING RESIDENCE HAS FIRE SPRINKLERS OR IS LOCATED IN VHFSZ OR HFZ. SEE NOTES ON G0.3 AND FIRE RATED DETAIL CHECK LIST ON THIS SHEET.

### fire rated details:

SELECTION

ROOF EAVE DETAIL 1, 2, 3, 5, 6, 7, 14 / A.5.2

WALL FINISH DETAIL 9B, 12B, 15B / A.5.1

### master plan designation of main dwelling unit:

MASTER PLAN DESIGNATION: \_\_\_\_\_

WALL FINISH & COLOR OF PRINCIPAL DWELLING UNIT \_\_\_\_\_

ROOF TYPE & COLOR OF MAIN DWELLING UNIT \_\_\_\_\_

TRIM COLOR OF MAIN DWELLING \_\_\_\_\_

WINDOW COLOR OF MAIN DWELLING UNIT \_\_\_\_\_

\*IF THE MAIN DWELLING UNIT IS LOCATED IN ANY MASTER PLAN DESIGNATIONS THEN THE ADU IS TO MATCH THE EXTERIOR FINISHES OF THE MAIN DWELLING UNIT.

### exterior - style selection:

SELECTION - SEE SHEET T1.2 FOR EXTERIOR RENDERING

CONTEMPORARY

FARMHOUSE

SPANISH

### exterior - wall material:

SELECTION(S)

STUCCO / COLOR \_\_\_\_\_ (CONTEMPORARY / FARMHOUSE / SPANISH)

FIBER CEMENT - SIDING / COLOR \_\_\_\_\_ (CONTEMPORARY / FARMHOUSE)

WOOD SIDING / COLOR \_\_\_\_\_ (CONTEMPORARY / FARMHOUSE)

OTHER \_\_\_\_\_

### exterior - window & trim color:

SELECTION

WHITE

TAN

DARK BRONZE

OTHER WINDOW COLOR \_\_\_\_\_

### exterior - roof material:

SELECTION(S)

CONCRETE TILE ROOF - EAGLE ROOF PRODUCTS INC. - IAMPO UES-ER 1900 MINIMUM 2-1/2" ROOF SLOPE. COLOR OF CONCRETE TILE ROOF \_\_\_\_\_

STANDING SEAM METAL ROOFING MATERIAL CLASS A RATED ASSEMBLY IS 24 GAUGE METAL SALES MAGNA LOC METAL ROOFING ASTM E1592, ICC ESR REPORT ESR-2385 MINIMUM 1/4:12 ROOF SLOPE. COLOR OF METAL ROOF \_\_\_\_\_

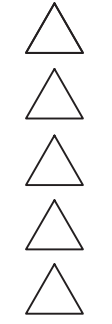
TORCH APPLIED MODIFIED BITUMEN - CLASS A RATED ROOF- GAF INC - UL ERI1306-02 - OEA MINIMUM 1/4:12 ROOF SLOPE. COLOR OF ROOF \_\_\_\_\_

OTHER ROOF MATERIAL/COLOR ICC/ESR # \_\_\_\_\_

project

City of Carlsbad  
Pre-Approved ADU  
Program

revisions



description

Title Sheet  
Studio

date 05 May 2023

project no. 2022\_Carlsbad\_ADU

drawn by Design Path Studio

sheet no. T1.1



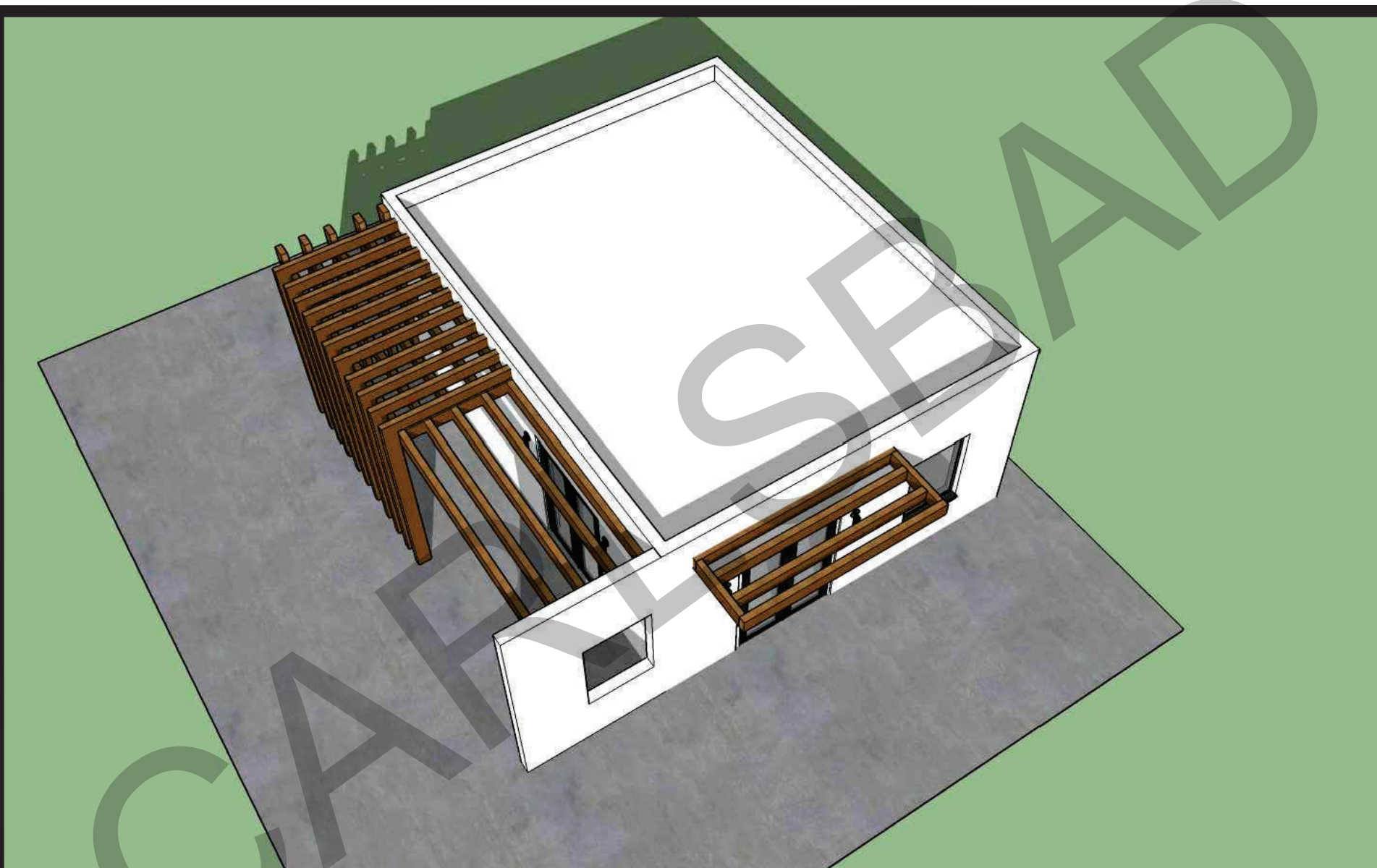
BY USING THESE PERMIT READY CONSTRUCTION DOCUMENTS, THE RECIPIENT ACKNOWLEDGES, ACCEPTS AND VOLUNTARILY AFFIRMS THE FOLLOWING CONDITIONS:  
 1. THE USE OF THIS INFORMATION IS RESTRICTED TO THE ORIGINAL PROJECT FOR WHICH IT WAS PREPARED FOR THE PERMIT READY ACCESSORY DWELLING UNIT (ADU) PROGRAM FOR THE CITY OF CARLSBAD ONLY. THIS IS A LIMITED SET OF STANDARDIZED ADU PLANS AND SPECIFICATIONS APPROVED BY THE CITY OF CARLSBAD BUILDING DEPARTMENT. BUILDING CODES DO CHANGE OVER TIME AND RECIPIENT SHALL ENSURE FULL COMPLIANCE UNDER ALL CODES THEN IN EFFECT AT THE TIME OF THE SUBJECT PERMIT. THIS DOES NOT ELIMINATE OR REDUCE THE RECIPIENT'S RESPONSIBILITY TO VERIFY ANY AND ALL INFORMATION RELEVANT TO THE RECIPIENT'S WORK AND RESPONSIBILITY ON THIS PROJECT. DESIGN PATH STUDIO SHALL NOT BE RESPONSIBLE FOR TRANSLATION ERRORS. DO NOT USE THESE CONSTRUCTION DOCUMENTS IF THE PERMIT HAS EXPIRED OR IS REVOKED AT ALL.  
 2. THE RECIPIENT RECOGNIZES AND ACKNOWLEDGES THAT THE USE OF THIS INFORMATION WILL BE AT THEIR SOLE RISK AND WITHOUT ANY LIABILITY OR LEGAL EXPOSURE TO DESIGN PATH STUDIO. NO WARRANTIES OF ANY NATURE, WHETHER EXPRESS OR IMPLIED, SHALL ATTACH TO THESE DOCUMENTS AND THE INFORMATION CONTAINED THEREON. ANY USE, REUSE, OR ALTERATION OF THESE DOCUMENTS BY THE RECIPIENT OR BY OTHERS WILL BE AT THE RECIPIENT'S RISK AND FULL LEGAL RESPONSIBILITY. FURTHERMORE, THE RECIPIENT WILL, TO THE FULLEST EXTENT PERMITTED BY LAW, DEFEND, INDEMNIFY AND HOLD DESIGN PATH STUDIO AND ITS ARCHITECTS HARMLESS FROM ANY AND ALL CLAIMS, SUITS, LIABILITY, DEMANDS, JUDGMENTS, OR COSTS ARISING OUT OF OR RESULTING THERE FROM ANY USE OF THESE CONSTRUCTION DOCUMENTS FOR OR ON ACCOUNT OF ANY INJURY, DEATH, DAMAGE OR LOSS TO PERSONS OR PROPERTY, DIRECT OR CONSEQUENTIAL DAMAGES IN ANY AMOUNT. THIS INDEMNITY DOES NOT APPLY TO THE SOLE NEGLIGENCE OR WILLFUL MISCONDUCT OF DESIGN PATH STUDIO OR ITS ARCHITECTS.  
 3. THE DESIGNS REPRESENTED BY THESE PLANS ARE COPYRIGHTED AND ARE SUBJECT TO COPYRIGHT PROTECTION.  
 4. IF THE RECIPIENT DOES NOT AGREE WITH THE ABOVE CONDITIONS, DO NOT PROCEED WITH CONSTRUCTION OF AN ADU OR OTHER IMPROVEMENT UNDER THESE PLANS AT ALL.



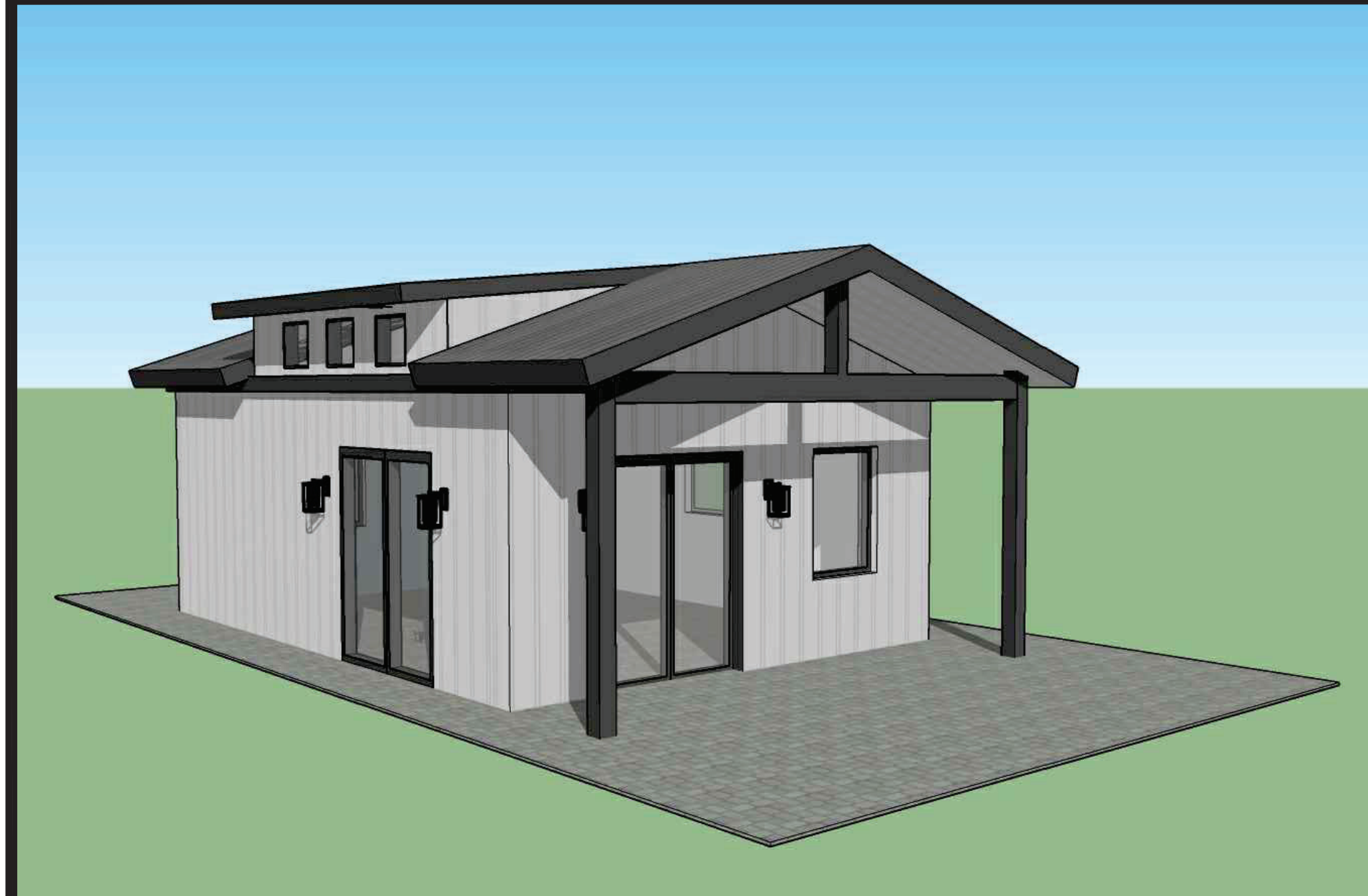
Studio - Contemporary view #1



Studio - Contemporary view #2



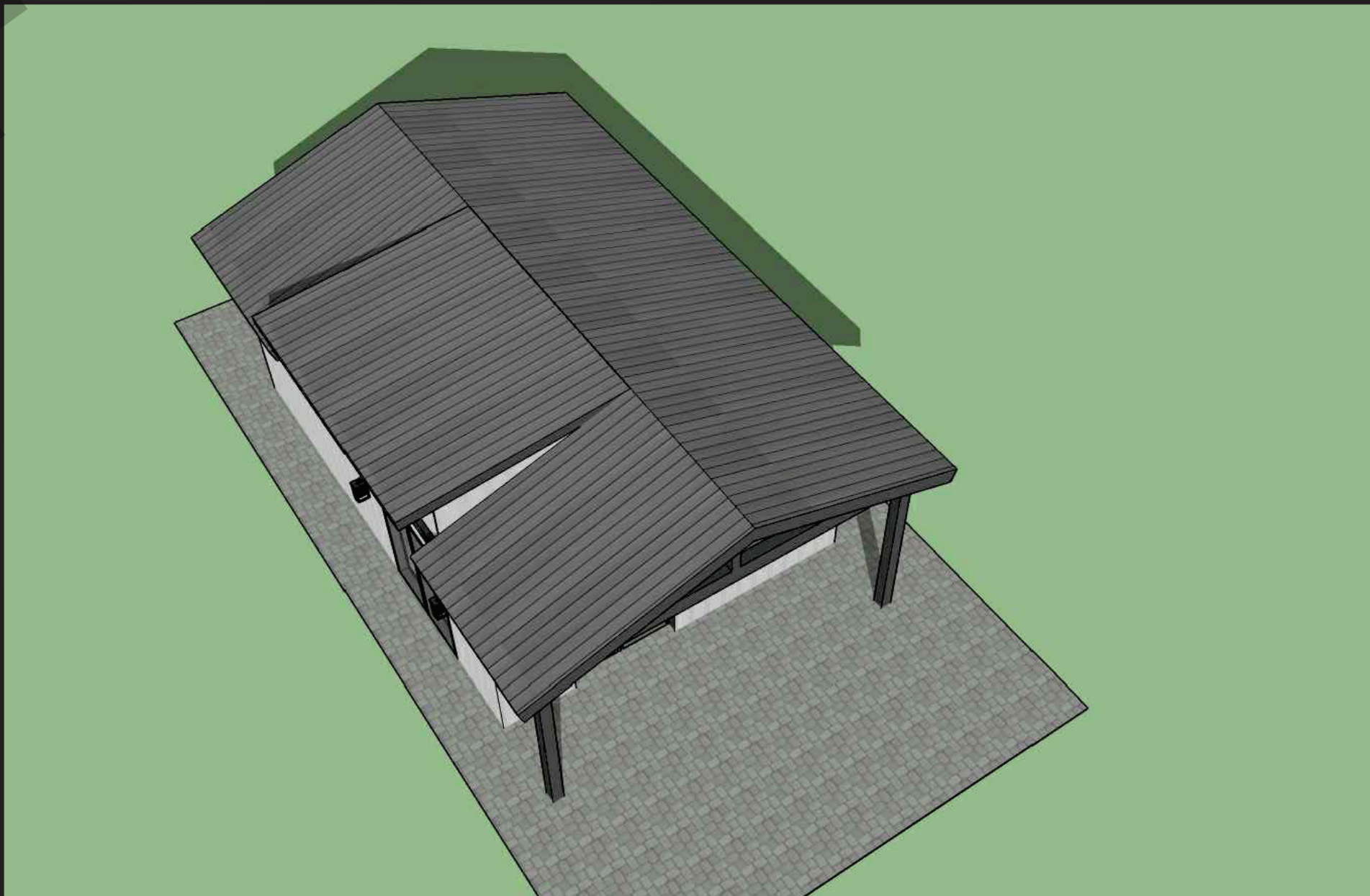
Studio - Contemporary view #3



Studio - Farmhouse view #1



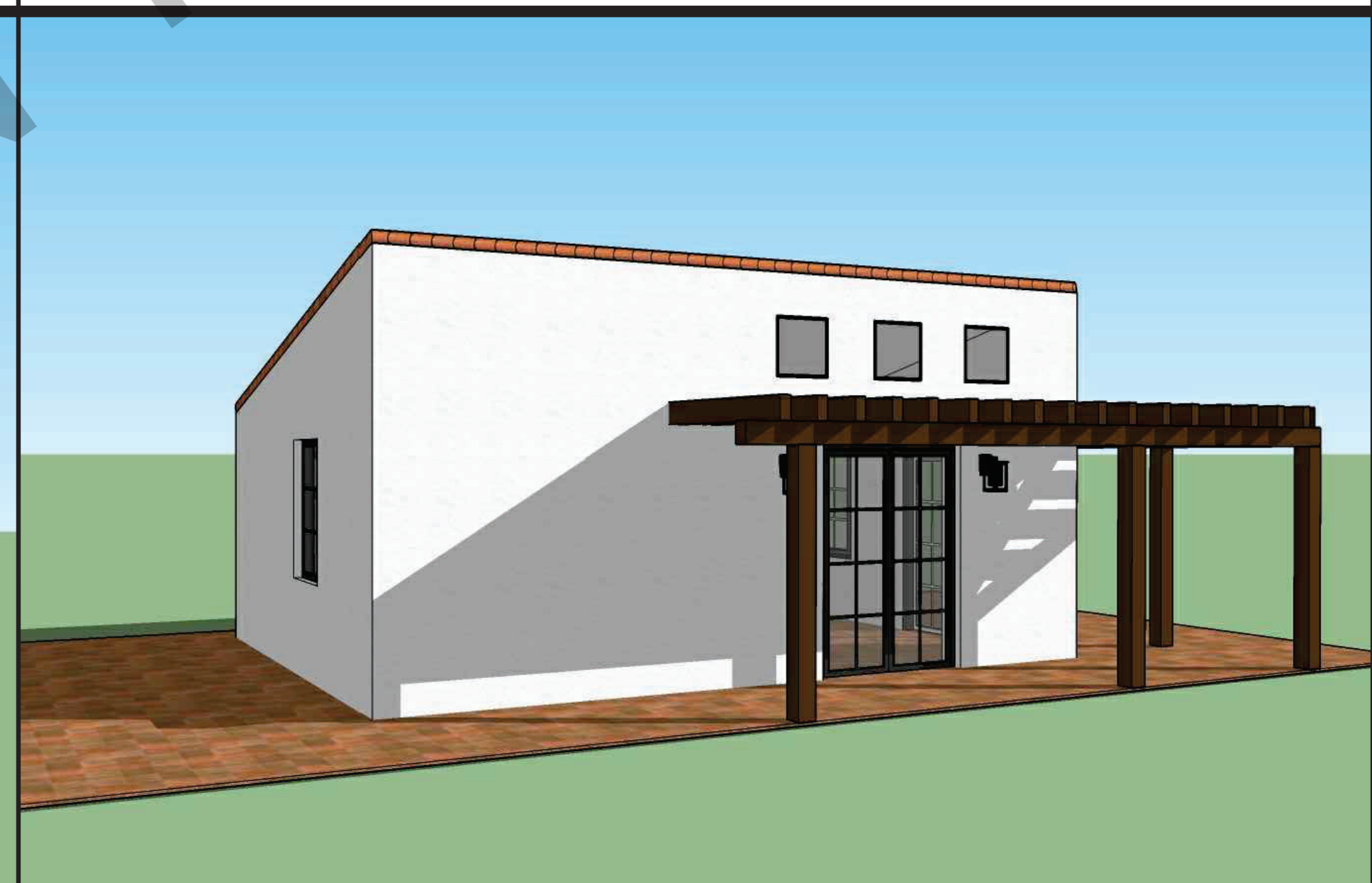
Studio - Farmhouse view #2



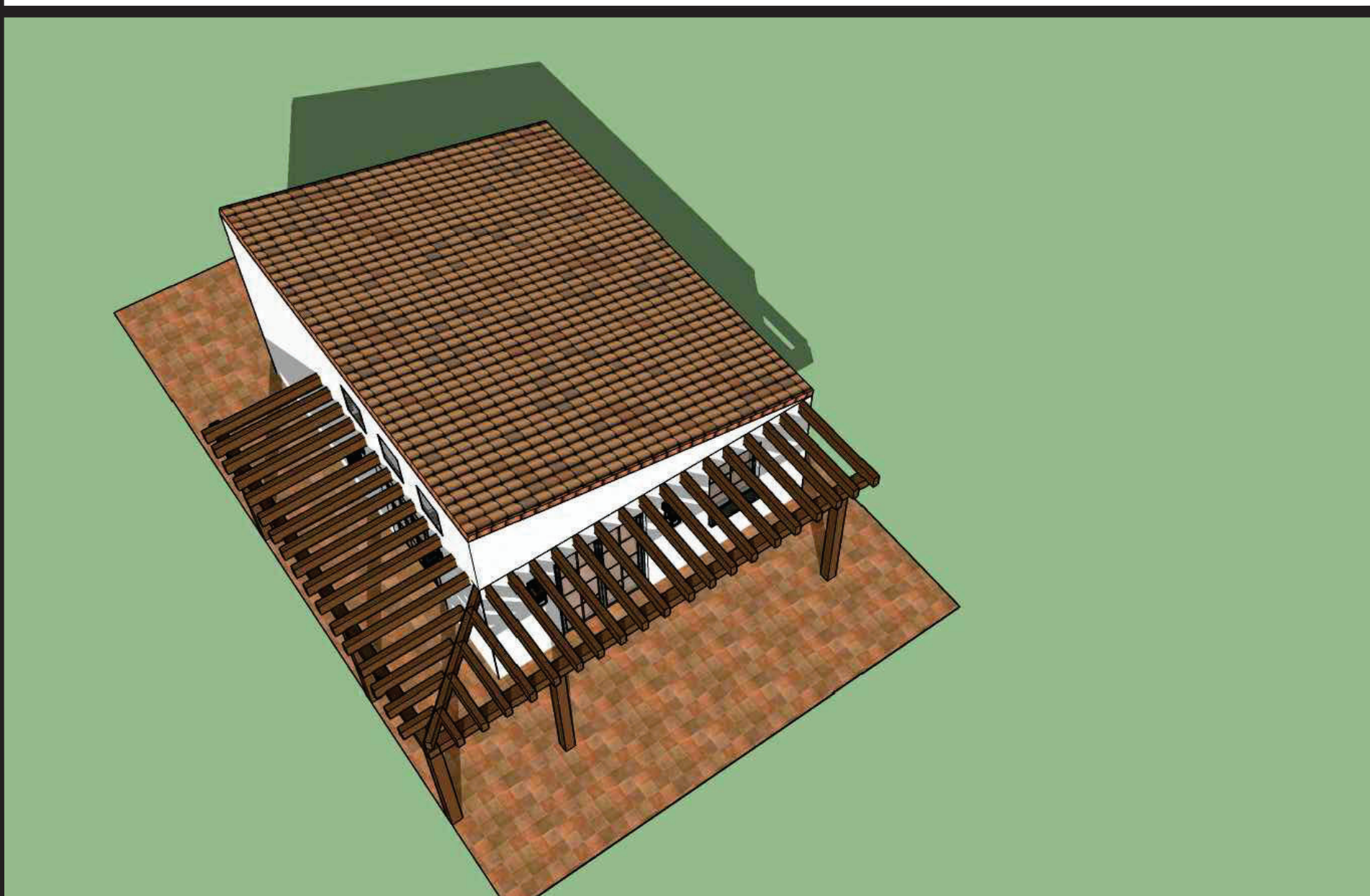
Studio - Farmhouse view #3



Studio - Spanish view #1



Studio - Spanish view #2



Studio - Spanish view #3

project  
 City of Carlsbad  
 Pre-Approved ADU  
 Program

revisions  
 △  
 △  
 △  
 △  
 △

description  
 Exterior  
 Style  
 Options

date 05 May 2023  
 project no. 2022\_Carlsbad\_ADU  
 drawn by Design Path Studio  
 sheet no. T1.2



CLIMATE ACTION PLAN COMPLIANCE

City of Carlsbad CAP Building Plan Template B-55 Development Services Building Division 1635 Faraday Avenue 760-602-2719 www.carlsbadca.gov

CLIMATE ACTION PLAN (CAP) COMPLIANCE The following summarizes project compliance with the applicable Climate Action Plan ordinances of the Carlsbad Municipal Code and California Green Building Standards Code (CALGreen), current version. The following certificate shall be included on the plans for all building permits that are required to comply with the CAP measures:

1. ENERGY EFFICIENCY APPLICABLE: YES NO

Complies with CMC 18.30.060 & 18.21.050 Existing Structure, year built: Prepared Energy Audit? Energy Score: Efficiency Measures included in scope:

2. PHOTOVOLTAIC SYSTEM APPLICABLE: YES NO

Complies with CMC section 18.30.040 and 2019 California Energy Code section 150.1(i)(14) Size of PV system (kWdc): Sizing PV by load calculations: If by Load Calculations: Total calculated electrical load: 80% of load:

3. ALTERNATIVE WATER HEATING SYSTEM APPLICABLE: YES NO

Complies with CMC sections 18.30.020 and 18.30.050? Alternative Source: Electric Passive Solar Hardship Requested Hardship Approved

4. ELECTRIC VEHICLE (EV) CHARGING APPLICABLE: YES NO

Complies with CMC section 18.21.030? Panel Upgrade? Total EV Parking Spaces: No. of EV Capable Spaces: No. of EV Ready Spaces: No. of EV Installed Spaces: Hardship Requested Hardship Approved

5. TRAFFIC DEMAND MANAGEMENT APPLICABLE: YES NO

Compliant? TDM Report on file with city?

CONSTRUCTION BMP

APPLICANT IS REQUIRED TO COMPLETE THE E-32 SWPPP TIER LEVEL APPLICATION AT INITIAL PROJECT INTAKE TO CHECK APPLICABLE CRITERIA AND CORRESPONDING SWPPP TIER LEVEL AND PROJECTS CONSTRUCTION THREAT LEVEL.

STORM WATER COMPLIANCE FORM TIER 1 CONSTRUCTION SWPPP E-29

CB SW -

STORM WATER POLLUTION PREVENTION NOTES

- 1. ALL NECESSARY EQUIPMENT AND MATERIALS SHALL BE AVAILABLE ON SITE TO FACILITATE RAPID INSTALLATION OF EROSION AND SEDIMENT CONTROL BMPs WHEN RAIN IS EMINENT. 2. THE OWNER/CONTRACTOR SHALL RESTORE ALL EROSION CONTROL DEVICES TO WORKING ORDER TO THE SATISFACTION OF THE CITY INSPECTOR AFTER EACH RUN-OFF PRODUCING RAINFALL. 3. THE OWNER/CONTRACTOR SHALL INSTALL ADDITIONAL EROSION CONTROL MEASURES AS MAY BE REQUIRED BY THE CITY INSPECTOR DUE TO INCOMPLETE GRADING OPERATIONS OR UNFORESEEN CIRCUMSTANCES WHICH MAY ARISE. 4. ALL REMOVABLE PROTECTIVE DEVICES SHALL BE IN PLACE AT THE END OF EACH WORKING DAY WHEN THE FIVE (5) DAY RAIN PROBABILITY FORECAST EXCEEDS FORTY PERCENT (40%). SILT AND OTHER DEBRIS SHALL BE REMOVED AFTER EACH RAINFALL. 5. ALL GRAVEL BAGS SHALL CONTAIN 3/4 INCH MINIMUM AGGREGATE. 6. ADEQUATE EROSION AND SEDIMENT CONTROL AND PERIMETER PROTECTION BEST MANAGEMENT PRACTICE MEASURES MUST BE INSTALLED AND MAINTAINED. 7. THE CITY INSPECTOR SHALL HAVE THE AUTHORITY TO ALTER THIS PLAN DURING OR BEFORE CONSTRUCTION AS NEEDED TO ENSURE COMPLIANCE WITH CITY STORM WATER QUALITY REGULATIONS.

OWNER'S CERTIFICATE:

I UNDERSTAND AND ACKNOWLEDGE THAT I MUST: (1) IMPLEMENT BEST MANAGEMENT PRACTICES (BMPs) DURING CONSTRUCTION ACTIVITIES TO THE MAXIMUM EXTENT PRACTICABLE TO AVOID THE MOBILIZATION OF POLLUTANTS SUCH AS SEDIMENT AND TO AVOID THE EXPOSURE OF STORM WATER TO CONSTRUCTION RELATED POLLUTANTS; AND (2) ADHERE TO, AND AT ALL TIMES, COMPLY WITH THIS CITY APPROVED TIER 1 CONSTRUCTION SWPPP THROUGHOUT THE DURATION OF THE CONSTRUCTION ACTIVITIES UNTIL THE CONSTRUCTION WORK IS COMPLETE AND APPROVED BY THE CITY OF CARLSBAD.

OWNER(S)/OWNER'S AGENT NAME (PRINT)

OWNER(S)/OWNER'S AGENT NAME (SIGNATURE) DATE

E-29

BEST MANAGEMENT PRACTICES (BMP) SELECTION TABLE

Table with columns for Erosion Control BMPs, Sediment Control BMPs, Tracking Control BMPs, Non-Storm Water Management BMPs, and Waste Management and Materials Pollution Control BMPs. Rows include Best Management Practice\* (BMP) Description, CASQA Designation, and Construction Activity.

- Instructions: 1. Check the box to the left of all applicable construction activity (first column) expected to occur during construction. 2. Located along the top of the BMP Table is a list of BMP's with it's corresponding California Stormwater Quality Association (CASQA) designation number. Choose one or more BMP's you intend to use during construction from the list. Check the box where the chosen activity row intersects with the BMP column. 3. Refer to the CASQA construction handbook for information and details of the chosen BMP's and how to apply them to the project.

SHOW THE LOCATIONS OF ALL CHOSEN BMPs ABOVE ON THE PROJECTS SITE PLAN/EROSION CONTROL PLAN. SEE THE REVERSE SIDE OF THIS SHEET FOR A SAMPLE EROSION CONTROL PLAN.

PROJECT INFORMATION

Site Address:

Assessor's Parcel Number:

Emergency Contact: Name: 24 Hour Phone:

Construction Threat to Storm Water Quality (Check Box) MEDIUM LOW

Page 1 of 1

REV 02/16

EARTHWORK NOTES

GRADING / SOIL DISTURBANCE

IF THE PROJECT DOES NOT REQUIRE ANY GRADING, STATE 'NO GRADING PROPOSED' ON THE SITE PLAN. IF SOME LEVEL OF GRADING OR SOIL DISTURBANCE IS NEEDED, PURSUANT TO CMC §15.16.060.B, ACTIVITIES THAT MEET THE CONDITIONS BELOW DO NOT REQUIRE A GRADING PERMIT. THE AMOUNT OF SOIL MATERIAL MOVED DOES NOT EXCEED 200 CUBIC YARDS, OR NO FILL MATERIAL IS PLACED ON AN EXISTING SLOPE STEEPER THAN FIVE UNITS HORIZONTAL TO ONE VERTICAL, OR NO CUT OR FILL MATERIAL EXCEEDS FOUR FEET IN VERTICAL DEPTH, MEASURED FROM THE EXISTING GROUND SURFACE. IF THE PROPOSED GRADING OR SOIL DISTURBANCE MEETS THESE EXEMPTIONS, THE PLANS NEED TO INCLUDE THE FOLLOWING INFORMATION: DRAINAGE PATTERNS (BEFORE AND AFTER CONSTRUCTION) SLOPING AWAY FROM THE STRUCTURE ON ALL SIDES HOW EXCAVATED SOIL MATERIALS WILL BE REMOVED FROM OR DISTRIBUTED ON SITE STORM WATER TIER 1 MEASURES FROM FORM E-29 NEED TO BE INSTALLED UNTIL FINAL OCCUPANCY APPROVAL A RIGHT-OF-WAY (ROW) PERMIT, ISSUED BY THE LAND DEVELOPMENT ENGINEERING DIVISION, WILL BE REQUIRED IF CONSTRUCTION MATERIAL OF ANY KIND IS STORED ON THE PUBLIC RIGHT-OF-WAY. IF THE GRADING EXCEEDS THE EXEMPTION LIMITATIONS, PLEASE CONTACT THE ENGINEERING DIVISION AT 442-339-2750 TO LEARN MORE ABOUT THE GRADING PERMIT PROCESS. PLEASE NOTE THAT THE BUILDING PERMIT CANNOT BE ISSUED UNTIL A GRADING PERMIT IS REVIEWED AND APPROVED.

FIRE NOTES

- 1. NEW AND EXISTING BUILDINGS SHALL HAVE APPROVED ADDRESS NUMBERS OR APPROVED BUILDING IDENTIFICATION PLACED IN A POSITION THAT IS PLAINLY LEGIBLE AND VISIBLE FROM THE STREET OR ROAD FRONTING THE PROPERTY. THESE NUMBERS SHALL BE A MINIMUM OF 4 INCHES HIGH WITH A MINIMUM STROKE OF .5 INCHES. WHERE ACCESS IS BY MEANS OF A PRIVATE ROAD AND THE BUILDING CANNOT BE VIEWED FROM THE PUBLIC WAY, A MONUMENT, POLE OR OTHER SIGN OR MEANS SHALL BE USED TO IDENTIFY THE STRUCTURE. CFC SECTION 505.1. 2. ALL FIRE APPARATUS ROADS ACCESS ROADS SHALL HAVE AN UNOBSTRUCTED VERTICAL CLEARANCE OF NO LESS THAN 13 FEET 6 INCHES.

SOILS INVESTIGATION

A SOILS INVESTIGATION IS REQUIRED FOR ALL NEW DETACHED ADU'S. RECOMMENDATIONS FROM THE SOILS INVESTIGATION, INCLUDING SPECIAL INSPECTION SCHEDULE, TO BE DETAILED IN THE DESIGN THE RECOMMENDATIONS MADE IN THE SOIL INVESTIGATION ARE REQUIRED TO BE INCORPORATED INTO THE FOUNDATION DESIGN AND REPRESENTED ON THE PLANS WITH COMPLETE DETAILS. IF THE PERMIT READY FOUNDATION DETAILS ARE NOT IN COMPLIANCE WITH THE RECOMMENDATIONS IN THE SOILS REPORT THE APPLICANT IS REQUIRED TO HIRE A DESIGN PROFESSIONAL TO PROVIDE SITE SPECIFIC DETAILS TO COMPLY WITH THE RECOMMENDATIONS MADE IN THE SOILS REPORT. SOILS INVESTIGATION CERTIFICATIONS AND FOUNDATION DESIGN APPROVAL BY THE SOILS ENGINEER IS REQUIRED.

SOILS INVESTIGATION CERTIFICATIONS AND FOUNDATION DESIGN APPROVAL BY THE SOILS ENGINEER IS REQUIRED.

WASTE MANAGEMENT NOTES

- 1. APPLICANT IS REQUIRED TO LIST MATERIALS THAT WILL BE REUSED, RECYCLED OR DISPOSED FROM THE PROJECT. PLEASE CONTACT REPUBLIC SERVICES AT (760) 332-6464. A CERTIFIED C&D RECYCLER, OR THE CARLSBAD BUILDING DIVISION AT (442) 339-2719 REGARDING QUESTIONS ABOUT THE RECYCLING REQUIREMENT OR FOR INFORMATION ON LANDFILLS AND TO ORDER DUMPSTER. 2. APPLICANT IS TO COMPLETE AND SUBMIT THE CONSTRUCTION WASTE MANAGEMENT PLAN FORM B-59 WHEN APPLYING FOR A BUILDING PERMIT. PERMITS WILL NOT BE ISSUED WITHOUT A COMPLETE CONSTRUCTION WASTE MANAGEMENT PLAN. 3. ESTIMATED WASTE TONNAGE GENERATED BY THE PROJECT IS TO HAVE A DIVERSION RATE OF 65% BY WEIGHTS OF DEBRIS.

EXISTING SWIMMING POOL REQUIREMENTS

WHEN A BUILDING PERMIT IS ISSUED FOR THE CONSTRUCTION OF A NEW SWIMMING POOL OR SPA OR THE REMODELING OF AN EXISTING SWIMMING POOL OR SPA AT A PRIVATE SINGLE-FAMILY HOME, THE RESPECTIVE SWIMMING POOL OR SPA SHALL BE EQUIPPED WITH AT LEAST TWO OF THE FOLLOWING SEVEN DROWNING PREVENTION SAFETY FEATURES: (1) AN ENCLOSURE THAT MEETS THE REQUIREMENTS OF SECTION 115923 AND ISOLATES THE SWIMMING POOL OR SPA FROM THE PRIVATE SINGLE-FAMILY HOME. (2) REMOVABLE MESH FENCING THAT MEETS AMERICAN SOCIETY FOR TESTING AND MATERIALS (ASTM) SPECIFICATIONS F2286 STANDARDS IN CONJUNCTION WITH A GATE THAT IS SELF-CLOSING AND SELF-LATCHING AND CAN ACCOMMODATE A KEY LOCKABLE DEVICE. (3) AN APPROVED SAFETY POOL COVER, AS DEFINED IN SUBDIVISION (D) OF SECTION 115921. (4) EXIT ALARMS ON THE PRIVATE SINGLE-FAMILY HOME'S DOORS THAT PROVIDE DIRECT ACCESS TO THE SWIMMING POOL OR SPA. THE EXIT ALARM MAY CAUSE EITHER AN ALARM NOISE OR A VERBAL WARNING, SUCH AS A REPEATING NOTIFICATION THAT "THE DOOR TO THE POOL IS OPEN." (5) A SELF-CLOSING, SELF-LATCHING DEVICE WITH A RELEASE MECHANISM PLACED NO LOWER THAN 54 INCHES ABOVE THE FLOOR ON THE PRIVATE SINGLE-FAMILY HOME'S DOORS PROVIDING DIRECT ACCESS TO THE SWIMMING POOL OR SPA. (6) AN ALARM THAT, WHEN PLACED IN A SWIMMING POOL OR SPA, WILL SOUND UPON DETECTION OF ACCIDENTAL OR UNAUTHORIZED ENTRANCE INTO THE WATER. THE ALARM SHALL MEET AND BE INDEPENDENTLY CERTIFIED TO THE ASTM STANDARD F2208 "STANDARD SAFETY SPECIFICATION FOR RESIDENTIAL POOL ALARMS," WHICH INCLUDES SURFACE MOTION, PRESSURE, SONAR, LASER, AND INFRARED TYPE ALARMS. A SWIMMING PROTECTION ALARM FEATURE DESIGNED FOR INDIVIDUAL USE, INCLUDING AN ALARM ATTACHED TO A CHILD THAT SOUNDS WHEN THE CHILD EXCEEDS A CERTAIN DISTANCE OR BECOMES SUBMERGED IN WATER, IS NOT A QUALIFYING DROWNING PREVENTION SAFETY FEATURE. (7) OTHER MEANS OF PROTECTION, IF THE DEGREE OF PROTECTION AFFORDED IS EQUAL TO OR GREATER THAN THAT AFFORDED BY ANY OF THE FEATURES SET FORTH ABOVE AND HAS BEEN INDEPENDENTLY VERIFIED BY AN APPROVED TESTING LABORATORY AS MEETING STANDARDS FOR THOSE FEATURES ESTABLISHED BY THE ASTM OR THE AMERICAN SOCIETY OF MECHANICAL ENGINEERS (ASME). (8) BEFORE THE ISSUANCE OF A FINAL APPROVAL FOR THE COMPLETION OF PERMITTED CONSTRUCTION OR REMODELING WORK, THE LOCAL BUILDING CODE OFFICIAL SHALL INSPECT THE DROWNING SAFETY PREVENTION FEATURES REQUIRED BY THIS SECTION AND, IF NO VIOLATIONS ARE FOUND, SHALL GIVE FINAL APPROVAL.

GENERAL NOTES

- 1. SEE BUILDING PLANS FOR ALL OTHER DIMENSIONS AND NOTES NOT SHOWN. 2. SEE BUILDING PLANS AND SCHEDULES FOR ALL EXTERIOR DOOR AND WINDOW REFERENCES AND LOCATIONS. 3. YARD SETBACKS ARE TO BE MEASURED FROM THE EXTERIOR WALL FINISH TO THE PROPERTY LINE AND NOT FROM THE OUTSIDE OF THE FOOTING OR FACE OF STUDS). THE PLANS MUST BE DESIGNED WITH THE WALL FINISH THICKNESS (I.E. 7/8" STUCCO, ETC.) ADDED TO THE PLAN FOR THE SETBACK MEASUREMENT. THE FIELD INSPECTOR WILL ADD THE PLANNED WALL FINISH THICKNESS TO THE FOUNDATION SETBACK. 4. NEW ELECTRIC SERVICE IS TO BE LOCATED - POOLS, SPAS, WALLS, FENCES, PATIO COVERS AND OTHER FREESTANDING STRUCTURES REQUIRE SEPARATE REVIEWS AND PERMITS. 5. LANDSCAPE AND IRRIGATION WATER USE SHALL HAVE WEATHER OR SOIL BASED CONTROLLERS. ADU WILL BE CONNECTED TO THE PUBLIC SEWER SYSTEM OR WILL PROVIDE A COMPLYING SEPTIC SYSTEM. 7. CAL-OSHA PERMIT IS REQUIRED FOR EXCAVATIONS DEEPER THAN 5' AND SHORING AND UNDERPINNING. 8. A DIMENSIONED SITE PLAN DRAWN TO SCALE SHALL BE PROVIDED SHOWING THE FOLLOWING: NORTH ARROW, PROPERTY LINES, EASEMENTS, STREETS, EXISTING AND PROPOSED BUILDINGS, AND STRUCTURES, LOCATION OF YARDS USED FOR ALLOWABLE INCREASE OF BUILDING AREA, DIMENSIONED SETBACKS, MINIMUM SEPARATION FROM EXISTING STRUCTURES AND FUEL MODIFICATION ZONES PER UNIFORM ADMINISTRATIVE CODE SECTION 302. 9. IF A GRADING PLAN IS REQUIRED, INCORPORATE THE ENTIRE APPROVED GRADING PLAN/IMPROVEMENT PLAN (ALL SHEETS) WITH THE BUILDING PLANS. PROJECTIONS, INCLUDING EAVES, MUST BE AT LEAST 24" FROM PROPERTY LINES.

GREEN BUILDING CODE NOTES

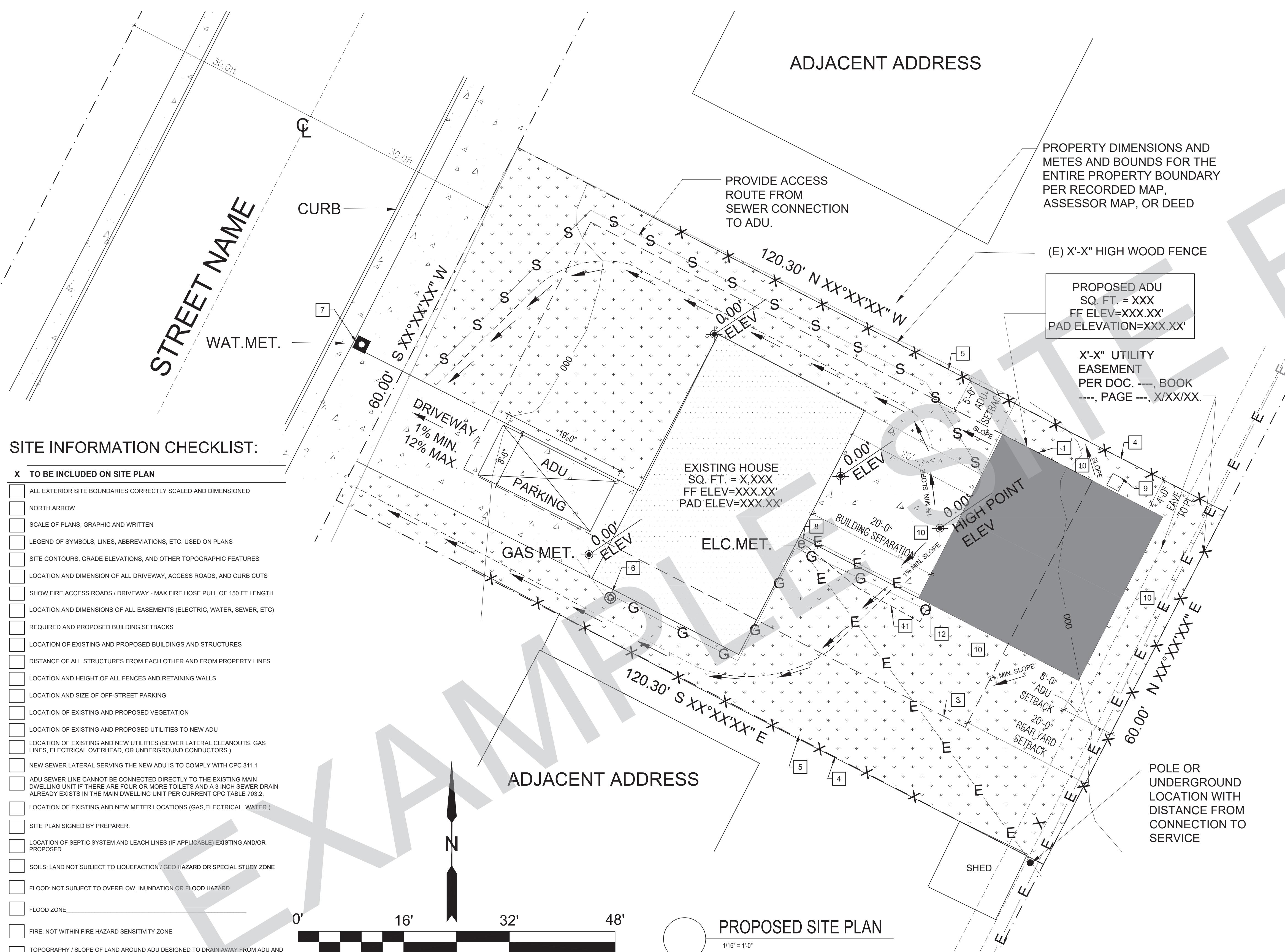
- 1. SITE SHALL BE PLANNED AND DEVELOPED TO KEEP SURFACE WATER AWAY FROM BUILDINGS. PLANS SHALL BE PROVIDED AND APPROVED BY THE CITY ENGINEER THAT SHOW SITE GRADING AND PROVIDE FOR STORM WATER RETENTION AND DRAINAGE DURING CONSTRUCTION. BMP'S THAT ARE CURRENTLY ENFORCED BY THE CITY ENGINEER MUST BE IMPLEMENTED PRIOR TO INITIAL INSPECTION BY THE BUILDING DEPT. 2. 65% OF CONSTRUCTION WASTE IS TO BE RECYCLED. 3. VOC'S MUST COMPLY WITH THE LIMITATION LISTED IN SECTION 4.504.3 AND TABLES 4.504.1, 4.504.2, 4.504.3, AND 4.504.4 FOR: ADHESIVES, PAINTS AND COATINGS, CARPET AND COMPOSITION WOOD PRODUCTS. 4. INTERIOR MOISTURE CONTROL AT SLAB ON GRADE FLOORS SHALL BE PROVIDED BY THE SOIL ENGINEER. IF A SOIL ENGINEER HAS NOT PREPARED A SOIL REPORT FOR THIS PROJECT, THE FOLLOWING IS REQUIRED: A 4" THICK BASE OF 1/2" OR LARGER CLEAN AGGREGATE SHALL BE PROVIDED WITH A VAPOR BARRIER IN DIRECT CONTACT WITH CONCRETE, WITH A CONCRETE MIX DESIGN WHICH WILL ADDRESS BLEEDING, SHRINKAGE AND CURLING SHALL BE USED. 5. MOISTURE CONTENT OF WOOD SHALL NOT EXCEED 16% BEFORE IT IS ENCLOSED IN CONSTRUCTION. THE MOISTURE CONTENT NEEDS TO BE CERTIFIED BY ONE OF 3 METHODS SPECIFIED. BUILDING MATERIAL WITH VISIBLE SIGNS OF WATER DAMAGE SHOULD NOT BE USED IN CONSTRUCTION. THE MOISTURE CONTENT MUST BE DETERMINED BY THE CONTRACTOR BY ONE OF THE LISTED METHODS LISTED IN CGC SECTION 4.503.3. 6. PRIOR TO FINAL APPROVAL OF THE BUILDING THE LICENSED CONTRACTOR, ARCHITECT OR ENGINEER IN RESPONSIBLE CHARGE OF THE OVERALL CONSTRUCTION MUST COMPLETE AND SIGN THE GREEN BUILDING STANDARDS CERTIFICATION FORM AND GIVEN TO THE BUILDING DEPT OFFICIAL TO BE FILED WITH THE APPROVED PLANS. 7. LANDSCAPE IRRIGATION WATER USE SHALL HAVE WEATHER BASED CONTROLLERS.

DIVISION 2 - SITEWORK

- 1. SITE PREPARATION PROJECT IS TO BE STAKED OUT FOR OWNER APPROVAL BEFORE FOR EARTHWORKS TO BEGIN. 2. SITE CLEARING CONTRACTOR WILL VERIFY WITH OWNER ALL PLANTING TO BE REMOVED PRIOR TO STARTING WORK. 3. LINES AND LEVELS THE CONTRACTOR WILL VISIT THE SITE AND EVALUATE GRADE CONDITION. FOR BIDDING PURPOSES, THE CONTRACTOR WILL CALCULATE HIS OWN CUT AND FILL QUANTITIES BASED ON THE SITE PLAN. 4. SHORING IS TO BE PROVIDED AS REQUIRED. 5. EARTH WORK a. REMOVE AND RECOMPACT LOOSE TOPSOIL AND SLIGHTLY ALTER THE EXISTING TOPOGRAPHY. ALL GRADING SHOULD BE PERFORMED IN ACCORDANCE WITH THE CITY OF ENCINITAS GRADING ORDINANCE. b. THE CONTRACTOR IS TO VERIFY THE LOCATION OF UTILITY SERVICE IN THE AREA PRIOR TO EXCAVATION. c. UNLESS OTHERWISE INDICATED ON THE DRAWINGS, ALL FINISH GRADES ARE TO SLOPE AWAY FROM THE BUILDING AND EXTERIOR PAVING 1/4" PER FOOT MINIMUM FOR A MINIMUM DISTANCE OF 5'-0". LOT DRAINAGE TO AVOID POOLING AT BUILDING.

BY USING THESE PERMIT READY CONSTRUCTION DOCUMENTS, THE RECIPIENT ACKNOWLEDGES, ACCEPTS AND VOLUNTARILY AFFIRMS THE FOLLOWING CONDITIONS: 1. THE USE OF THIS INFORMATION IS RESTRICTED TO THE ORIGINAL PROJECT FOR WHICH IT WAS PREPARED FOR THE PERMIT READY ACCESSORY DWELLING UNIT (ADU) PROGRAM FOR THE CITY OF CARLSBAD ONLY. THIS IS A LIMITED SET OF STANDARDIZED ADU PLANS AND SPECIFICATIONS APPROVED BY THE CITY OF CARLSBAD BUILDING DEPARTMENT. BUILDING CODES DO CHANGE OVER TIME AND RECIPIENT SHALL ENSURE FULL COMPLIANCE UNDER ALL CODES THEN IN EFFECT AT THE TIME OF THE SUBJECT PERMIT. THIS DOES NOT ELIMINATE OR REDUCE THE RECIPIENT'S RESPONSIBILITY TO VERIFY ANY AND ALL INFORMATION RELEVANT TO THE RECIPIENT'S WORK AND RESPONSIBILITY ON THIS PROJECT. DESIGN PATH STUDIO SHALL NOT BE RESPONSIBLE FOR TRANSLATION ERRORS. DO NOT USE THESE CONSTRUCTION DOCUMENTS IF THE PERMIT HAS EXPIRED OR IS REVOKED AT ALL. 2. THE RECIPIENT RECOGNIZES AND ACKNOWLEDGES THAT THE USE OF THIS INFORMATION WILL BE AT THEIR SOLE RISK AND WITHOUT ANY LIABILITY OR LEGAL EXPOSURE TO DESIGN PATH STUDIO. NO WARRANTIES OF ANY NATURE, WHETHER EXPRESS OR IMPLIED, SHALL ATTACH TO THESE DOCUMENTS AND THE INFORMATION CONTAINED THEREON. ANY USE, REUSE, OR ALTERATION OF THESE DOCUMENTS BY THE RECIPIENT OR BY OTHERS WILL BE AT THE RECIPIENT'S RISK AND FULL LEGAL RESPONSIBILITY. FURTHERMORE, THE RECIPIENT WILL, TO THE FULLEST EXTENT PERMITTED BY LAW, DEFEND, INDEMNIFY AND HOLD DESIGN PATH STUDIO AND ITS ARCHITECTS HARMLESS FROM ANY AND ALL CLAIMS, SUITS, LIABILITY, DEMANDS, JUDGMENTS, OR COSTS ARISING OUT OF OR RESULTING THERE FROM ANY USE OF THESE CONSTRUCTION DOCUMENTS FOR OR ON ACCOUNT OF ANY INJURY, DEATH, DAMAGE OR LOSS TO PERSONS OR PROPERTY, DIRECT OR CONSEQUENTIAL DAMAGES IN ANY AMOUNT, THIS INDEMNITY DOES NOT APPLY TO THE SOLE NEGLIGENCE OR WILLFUL MISCONDUCT OF DESIGN PATH STUDIO OR ITS ARCHITECTS. 3. THE DESIGNS REPRESENTED BY THESE PLANS ARE COPYRIGHTED AND ARE SUBJECT TO COPYRIGHT PROTECTION. 4. IF THE RECIPIENT DOES NOT AGREE WITH THE ABOVE CONDITIONS, DO NOT PROCEED WITH CONSTRUCTION OF AN ADU OR OTHER IMPROVEMENT UNDER THESE PLANS AT ALL.

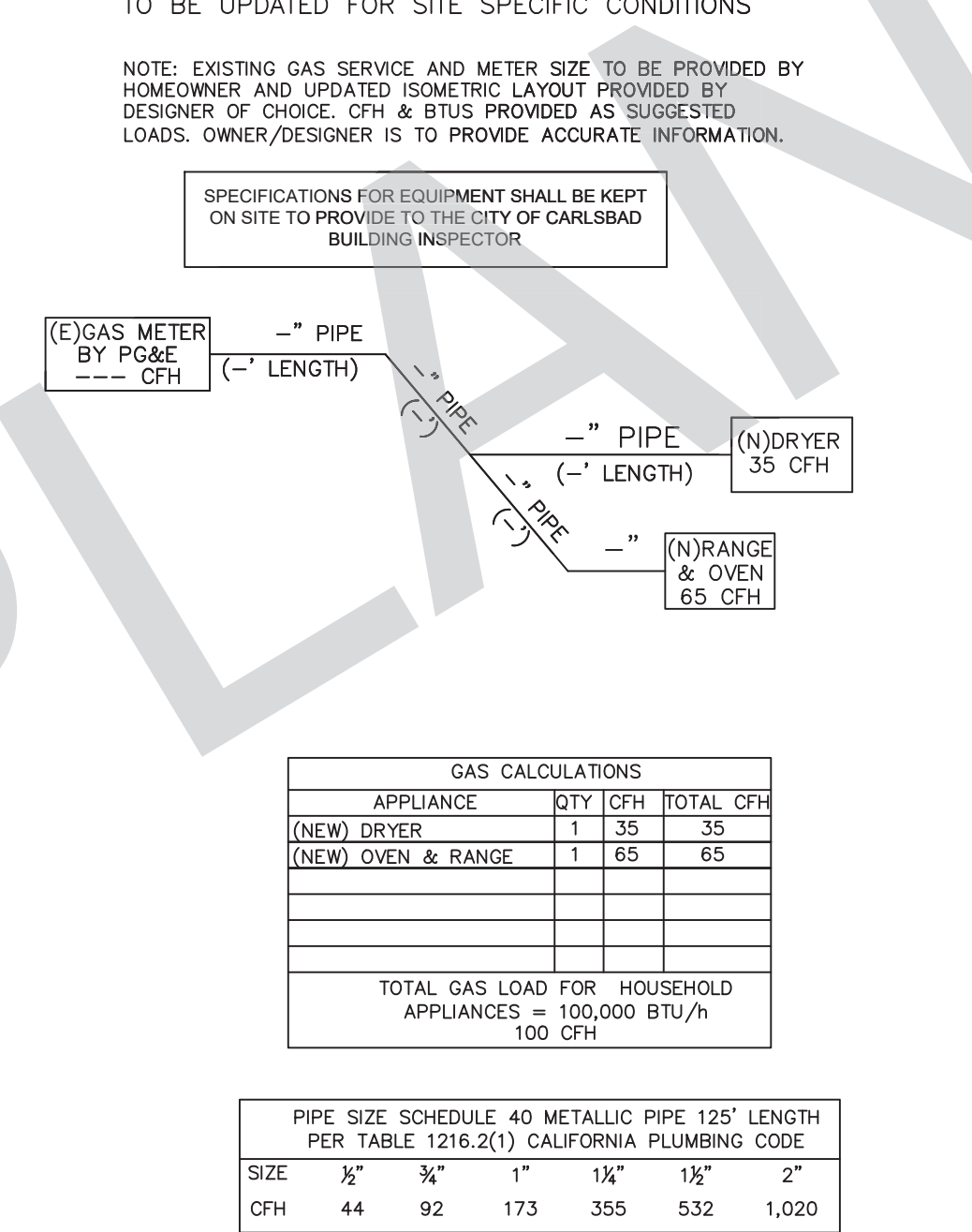




### SITE INFORMATION CHECKLIST:

- X TO BE INCLUDED ON SITE PLAN**
- ALL EXTERIOR SITE BOUNDARIES CORRECTLY SCALED AND DIMENSIONED
  - NORTH ARROW
  - SCALE OF PLANS, GRAPHIC AND WRITTEN
  - LEGEND OF SYMBOLS, LINES, ABBREVIATIONS, ETC. USED ON PLANS
  - SITE CONTOURS, GRADE ELEVATIONS, AND OTHER TOPOGRAPHIC FEATURES
  - LOCATION AND DIMENSION OF ALL DRIVEWAY, ACCESS ROADS, AND CURB CUTS
  - SHOW FIRE ACCESS ROADS / DRIVEWAY - MAX FIRE HOSE PULL OF 150 FT LENGTH
  - LOCATION AND DIMENSIONS OF ALL EASEMENTS (ELECTRIC, WATER, SEWER, ETC)
  - REQUIRED AND PROPOSED BUILDING SETBACKS
  - LOCATION OF EXISTING AND PROPOSED BUILDINGS AND STRUCTURES
  - DISTANCE OF ALL STRUCTURES FROM EACH OTHER AND FROM PROPERTY LINES
  - LOCATION AND HEIGHT OF ALL FENCES AND RETAINING WALLS
  - LOCATION AND SIZE OF OFF-STREET PARKING
  - LOCATION OF EXISTING AND PROPOSED VEGETATION
  - LOCATION OF EXISTING AND PROPOSED UTILITIES TO NEW ADU
  - LOCATION OF EXISTING AND NEW UTILITIES (SEWER LATERAL, CLEANOUTS, GAS LINES, ELECTRICAL OVERHEAD, OR UNDERGROUND CONDUCTORS)
  - NEW SEWER LATERAL SERVING THE NEW ADU IS TO COMPLY WITH CPC 311.1
  - ADU SEWER LINE CANNOT BE CONNECTED DIRECTLY TO THE EXISTING MAIN DWELLING UNIT IF THERE ARE FOUR OR MORE TOILETS AND A 3 INCH SEWER DRAIN ALREADY EXISTS IN THE MAIN DWELLING UNIT PER CURRENT CPC TABLE 703.2
  - LOCATION OF EXISTING AND NEW METER LOCATIONS (GAS, ELECTRICAL, WATER)
  - SITE PLAN SIGNED BY PREPARER
  - LOCATION OF SEPTIC SYSTEM AND LEACH LINES (IF APPLICABLE) EXISTING AND/OR PROPOSED
  - SOILS: LAND NOT SUBJECT TO LIQUEFACTION / GEO HAZARD OR SPECIAL STUDY ZONE
  - FLOOD: NOT SUBJECT TO OVERFLOW, INUNDATION OR FLOOD HAZARD
  - FLOOD ZONE
  - FIRE: NOT WITHIN FIRE HAZARD SENSITIVITY ZONE
  - TOPOGRAPHY / SLOPE OF LAND AROUND ADU DESIGNED TO DRAIN AWAY FROM ADU AND MAIN DWELLING UNIT

### GAS PIPE ISOMETRIC DIAGRAM



### ELECTRICAL CIRCUIT CARD

SEE FORM B-36, TO BE UPDATED FOR SITE SPECIFIC CONDITIONS

THIS CARD MUST BE FILLED OUT AND AVAILABLE AT THE SERVICE EQUIPMENT FOR THE ROUGH INSPECTION

Address: \_\_\_\_\_ Permit Number: \_\_\_\_\_  
 Owner: \_\_\_\_\_ Phone: \_\_\_\_\_ Area in Sq. Ft. \_\_\_\_\_  
 Contractor: \_\_\_\_\_ Phone: \_\_\_\_\_

LOCATION	CKT	BRK SIZE	WIRE			MISC	REC	LGT	VOLTS			MISC	BRK SIZE	CKT	LOCATION
			WIRE	TYPE	SIZE				TYPE	SIZE					
1															
2															
3															
4															
5															
6															
7															
8															
9															
10															
11															
12															
13															
14															
15															
16															
17															
18															
19															
20															
21															
22															
23															
24															
25															
26															
27															
28															
29															
30															
31															
32															
33															
34															
35															
36															
37															
38															
39															
40															
41															
42															

MAIN:  AMP BRKFUSE  MLO  
 BUS:  AMP  
 Service entrance or feeder conductors:  
 A) Size: No. B) Type:  CU  AL  
 C) Insulation: D) Conduit Size:  
 Service ground(s):  
 A) Size: No. B) Type:  CU  AL  
 C) Clamping location(s): 250 - 50(c)  Kitchen  Hydromassage Tub  
 UFER  Water Pipe 250 - 104  Bathrooms  Gange(s)  
 Ground Rod 250 - 52  Outdoors  Owner  Contractor  
 AFCI Protected Circ: 210 - 12  Bedrooms  Signage Date: \_\_\_\_\_

Computed Load Size Calculation Worksheet on back  
 Branch circuits required:  
 A) Lighting Circuits 220 - 3(a), 4(d)  
 B) Two Small Appliance Circuits 210 - 11(e)  
 C) Laundry Circuit 220 - 18(b)  
 D) Central Heating Equipment 422 - 12  
 E) Bathroom 210 - 52(d)

Remarks:  
 I certify that all terminations have been torqued in accordance with manufacturer's instructions and that the work shown on this circuit card represents the full extent of the work performed under this permit.

#### KEYNOTES

- 1 LINE OF EXTERIOR WALL, TYP.
- 2 LINE OF ROOF OVERHANG / DECK / AWNING / STRUCTURE ABOVE
- 3 REQUIRED SETBACKS
- 4 PROPERTY LINE, TYP.
- 5 FENCE- HEIGHT PER PLAN
- 6 EXISTING GAS METER
- 7 EXISTING WATER METER
- 8 EXISTING ELECTRIC METER.
- 9 CONDENSING UNIT
- 10 SURFACE WATER IS TO DRAIN AWAY FROM BUILDING. GRADE SHALL FALL A MIN. OF 6" WITHIN THE FIRST 10 FEET
- 11 FEEDER TO EXTEND TO EXISTING PANEL
- 12 NEW ADU SUB PANEL / DISCONNECT / JUNCTION BOX AND GROUNDING ELECTRODE SYSTEM PER NEC ARTICLE 250.32

#### GENERAL NOTES

1. SPOT DIMENSIONS INDICATE ESTIMATED GRADE HEIGHTS. VERIFY IN FIELD PRIOR TO CONSTRUCTION.
2. SEE BUILDING PLANS FOR ALL OTHER DIMENSIONS AND NOTES NOT SHOWN.
3. SEE BUILDING PLANS AND SCHEDULES FOR ALL EXTERIOR DOOR AND WINDOW REFERENCES AND LOCATIONS.
4. YARD SETBACKS ARE TO BE MEASURED FROM THE EXTERIOR WALL FINISH TO THE PROPERTY LINE AND NOT FROM THE OUTSIDE OF THE FOOTING (OR FACE OF STUDS).
5. SEWER DRAIN CLEANOUTS REQUIRED AT 100 FOOT INTERVALS AND CHANGES IN DIRECTION OF 135 DEGREES OR MORE.

#### LEGEND

	SPOT GRADE ELEVATION		KEYNOTE
	AREA OF NEW BUILDING FOOTPRINT		PROPERTY LINE
	AREA OF EXISTING BUILDING FOOTPRINT		REQUIRED SETBACKS
	CONCRETE PAVING		DRAINAGE PATTERN
	LANDSCAPE		SITE CONTOURS
			NEW SEWER LINE
			NEW DOMESTIC WATER LINE
			NEW ELECTRICAL & TEL DATA LINE
			NEW GAS LINE
			NEW OR EXISTING FENCE TO COMPLY WITH ZONING CODE SECTION 37-50.090

#### CERTIFICATE OF ACCURACY

I CERTIFY ALL DOCUMENTS AND PLANS CLEARLY AND ACCURATELY SHOW ALL EXISTING AND ALL PROPOSED BUILDINGS, STRUCTURES, ACCESS ROADS, AND UTILITIES/UTILITY EASEMENTS. ALL PROPOSED LAND USE ACTIVITIES, IMPROVEMENTS TO LAND, AND/OR BUILDING MODIFICATIONS OR ADDITIONS ARE CLEARLY LABELED ON THE SITE PLAN OF THE APPROVED PLAN SET. I UNDERSTAND THAT ANY POTENTIALLY EXISTING DETAIL WITHIN THESE PLANS INCONSISTENT WITH THE SITE PLAN ARE NOT APPROVED AND MAY BE REQUIRED TO BE ALTERED OR REMOVED. THE SUBMITTED DOCUMENTS AND PLANS SHOW THE CORRECT DIMENSIONS OF THE PROPERTY, THE BUILDINGS, AND STRUCTURES AND THEIR SETBACKS FROM PROPERTY LINES AND FROM ONE ANOTHER, ACCESS ROADS/EASEMENTS, AND UTILITIES. THE EXISTING AND PROPOSED USE OF LAND AND OF EACH BUILDING AS STATED IS TRUE AND CORRECT. FURTHER, ALL IMPROVEMENTS EXISTING ON THE PROPERTY WERE COMPLETED IN ACCORDANCE WITH ALL REGULATIONS IN EXISTENCE AT THE TIME OF THEIR CONSTRUCTION, UNLESS OTHERWISE NOTED. ALL EASEMENTS AND OTHER ENCUMBRANCES TO DEVELOPMENT HAVE BEEN ACCURATELY SHOWN AND LABELED AS WELL AS ALL ON-SITE GRADING/SITE PREPARATION.

APPLICANT (SIGNATURE): \_\_\_\_\_ DATE: \_\_\_\_\_  
 SITE PLAN PREPARED BY (SIGNATURE) \_\_\_\_\_ DATE: \_\_\_\_\_

#### UTILITIES PROVIDERS:

- GAS:  
 - ELECTRIC:  
 - WATER:

#### SCHOOL DISTRICTS:

HIGH SCHOOL -  
 ELEMENTARY SCHOOL -

#### GRADING INFORMATION:

TOTAL CUBIC YARD OF EARTHWORK = \_\_\_\_\_

TOTAL FILL MATERIAL PLACED ON AN EXISTING SLOPE STEEPER THAN FIVE UNITS HORIZONTAL TO ONE VERTICAL = \_\_\_\_\_

TOTAL CUT OR FILL MATERIAL EXCEEDING FOUR FEET IN VERTICAL DEPTH, MEASURED FROM THE EXISTING GROUND SURFACE = \_\_\_\_\_

DESIGN PATH STUDIO  
 architecture + planning  
 DESIGNPATHSTUDIO.COM

BY USING THESE PERMIT READY CONSTRUCTION DOCUMENTS, THE RECIPIENT ACKNOWLEDGES, ACCEPTS AND VOLUNTARILY AFFIRMS THE FOLLOWING CONDITIONS:  
 1. THE USE OF THIS INFORMATION IS RESTRICTED TO THE ORIGINAL PROJECT FOR WHICH IT WAS PREPARED FOR THE PERMIT READY ACCESSORY DWELLING UNIT (ADU) PROGRAM FOR THE CITY OF CARLSBAD ONLY. THIS IS A LIMITED SET OF STANDARDIZED ADU PLANS AND SPECIFICATIONS APPROVED BY THE CITY OF CARLSBAD BUILDING DEPARTMENT. BUILDING CODES DO CHANGE OVER TIME AND RECIPIENT SHALL ENSURE FULL COMPLIANCE UNDER ALL CODES THEN IN EFFECT AT THE TIME OF THE SUBJECT PERMIT. THIS DOES NOT ELIMINATE OR REDUCE THE RECIPIENT'S RESPONSIBILITY TO VERIFY ANY AND ALL INFORMATION RELEVANT TO THE RECIPIENT'S WORK AND RESPONSIBILITY ON THIS PROJECT. DESIGN PATH STUDIO SHALL NOT BE RESPONSIBLE FOR TRANSLATION ERRORS. DO NOT USE THESE CONSTRUCTION DOCUMENTS IF THE PERMIT HAS EXPIRED OR IS REVOKED AT ALL.  
 2. THE RECIPIENT RECOGNIZES AND ACKNOWLEDGES THAT THE USE OF THIS INFORMATION WILL BE AT THEIR SOLE RISK AND WITHOUT ANY LIABILITY OR LEGAL EXPOSURE TO DESIGN PATH STUDIO. NO WARRANTIES OF ANY NATURE, WHETHER EXPRESS OR IMPLIED, SHALL ATTACH TO THESE DOCUMENTS AND THE INFORMATION CONTAINED THEREON. ANY USE, REUSE, OR ALTERATION OF THESE DOCUMENTS BY THE RECIPIENT OR BY OTHERS WILL BE AT THE RECIPIENT'S RISK AND FULL LEGAL RESPONSIBILITY. FURTHERMORE, THE RECIPIENT WILL, TO THE FULLEST EXTENT PERMITTED BY LAW, DEFEND, INDEMNIFY AND HOLD DESIGN PATH STUDIO AND ITS ARCHITECTS HARMLESS FROM ANY AND ALL CLAIMS, SUITS, LIABILITY, DEMANDS, JUDGMENTS, OR COSTS ARISING OUT OF OR RESULTING THERE FROM ANY USE OF THESE CONSTRUCTION DOCUMENTS FOR OR ON ACCOUNT OF ANY INJURY, DEATH, DAMAGE OR LOSS TO PERSONS OR PROPERTY, DIRECT OR CONSEQUENTIAL DAMAGES IN ANY AMOUNT, THIS INDEMNITY DOES NOT APPLY TO THE SOLE NEGLIGENCE OR WILLFUL MISCONDUCT OF DESIGN PATH STUDIO OR ITS ARCHITECTS.  
 3. THE DESIGNS REPRESENTED BY THESE PLANS ARE COPYRIGHTED AND ARE SUBJECT TO COPYRIGHT PROTECTION.  
 4. IF THE RECIPIENT DOES NOT AGREE WITH THE ABOVE CONDITIONS, DO NOT PROCEED WITH CONSTRUCTION OF AN ADU OR OTHER IMPROVEMENT UNDER THESE PLANS AT ALL.

project  
 City of Carlsbad  
 Pre-Approved ADU  
 Program

revisions

description  
 Example  
 Site Plan

date 05 May 2023

project no. 2022\_Carlsbad\_ADU

drawn by Design Path Studio

sheet no. AS.2







ARCHITECTUAL GENERAL NOTES	ROOF NOTES (CONT'D)	FLOOR PLAN NOTES (CONT'D)	MECHANICAL NOTES (CONT'D)	ELECTRICAL NOTES (CONT'D)
<p>1. DO NOT SCALE THE DRAWING, USE THE DIMENSIONS ONLY. IF A DISCREPANCY IS FOUND TO EXIST, NOTIFY THE OWNER.</p> <p>2. THESE PLANS/SPECIFICATIONS AND ALL WORK SHALL COMPLY WITH CURRENT EDITION OF STATE OF CALIFORNIA TITLE 24 CCR AND CURRENT CPC, CMC AND CEC CODES.</p> <p>3. DETAILS ARE INTENDED TO SHOW METHOD AND MANNER OF ACCOMPLISHING WORK. MINOR MODIFICATIONS MAY BE REQUIRED TO SUIT THE JOB DIMENSIONS OR CONDITIONS AND IS TO BE REVIEWED AND APPROVED BY THE CITY OF CARLSBAD.</p> <p>4. VERIFY ALL DIMENSIONS AND CONDITIONS AT THE SITE AND STAKE OUT STRUCTURE FOR OWNER'S APPROVAL PRIOR TO STARTING ANY WORK.</p> <p>5. ALL WEATHER-EXPOSED SURFACES ARE TO HAVE A WEATHER-RESISTIVE BARRIER TO PROTECT THE INTERIOR WALL COVERING AND THAT EXTERIOR OPENINGS ARE TO BE FLASHED IN SUCH A MANNER AS TO MAKE THEM WEATHERPROOF.</p> <p>6. SPECIFICATIONS FOR EQUIPMENT SHALL BE KEPT ON SITE TO PROVIDE TO THE CITY OF CARLSBAD BUILDING INSPECTOR</p> <p>7. AN ENCROACHMENT PERMIT IS REQUIRED FOR ANY CONSTRUCTION, RECONSTRUCTION, OR CLOSURE OR THE ROADWAY, SIDEWALK OR RIGHT OF WAY. APPLICANT SHALL CONTACT ENGINEERING DEPARTMENT TO PROCESS.</p> <p>8. APPLICANT IS RESPONSIBLE TO PROVIDE SITE PLAN (PLOT PLAN) TO THE CITY FOR REVIEW AND APPROVAL.</p> <p>9. APPLICANT IS RESPONSIBLE TO VERIFY WHETHER THE JOB SITE IS LOCATED WITHIN A FEDERAL EMERGENCY MANAGEMENT AGENCY (FEMA) FLOOD ZONE. PROJECTS LOCATED IN A SPECIAL FLOOD HAZARD AREA DESIGNATED ON THE FLOOD INSURANCE RATE MAP (FIRM) AS ZONE A OR AE, SHALL PROVIDE AN ELEVATION CERTIFICATE WITH SUPPORTED DOCUMENTS TO THE CITY FOR REVIEW AND APPROVAL PRIOR TO BUILDING PERMIT ISSUANCE.</p> <p>10. SUBMIT GRADING PLANS AND/OR PROVIDE ADU GRADING PERMIT EXEMPTION CHECKLIST FOR REVIEW AND APPROVAL AT TIME OF PERMIT APPLICATION.</p> <p>11. THE PV SYSTEM WILL BE SUBMITTED UNDER A SEPARATE PERMIT. A PHOTOVOLTAIC (SOLAR) SYSTEM BUILDING AND ELECTRICAL PERMIT SHALL BE ISSUED PRIOR TO ADU BUILDING FRAME INSPECTION REQUEST.</p> <p>12. SOIL REPORT REQUIREMENT: IF A SOILS REPORT IS REQUIRED BY THE LOCAL JURISDICTION, THE GEOTECHNICAL INVESTIGATIONS SHALL BE CONDUCTED IN ACCORDANCE WITH CBC SECTION 1803.2 AND REPORTED IN ACCORDANCE WITH CBC SECTION 1803.6. -THE GEOTECHNICAL ENGINEER OF RECORD SHALL REVIEW THE CITY APPROVED PLANS FOR GENERAL CONFORMANCE WITH THE SOIL REPORT; OTHERWISE, AN ALTERNATE FOUNDATION PLAN DESIGNED BY A CALIFORNIA REGISTERED CIVIL ENGINEER IS REQUIRED</p>	<p>14. FOR PHOTOVOLTAIC ARRAYS OCCUPYING NOT MORE THAN 33 PERCENT OF THE PLAN VIEW TOTAL ROOF AREA, NOT LESS THAN AN 18-INCH (457 MM) CLEAR SETBACK IS REQUIRED ON BOTH SIDES OF A HORIZONTAL RIDGE. FOR PHOTOVOLTAIC ARRAYS OCCUPYING MORE THAN 33 PERCENT OF THE PLAN VIEW TOTAL ROOF AREA, NOT LESS THAN A 36-INCH (914 MM) CLEAR SETBACK IS REQUIRED ON BOTH SIDES OF A HORIZONTAL RIDGE.</p> <p>15. PER SECTION R806.5/EM3.9.6:</p> <p>a. WHERE ONLY AIR-IMPERMEABLE IS PROVIDED, IT SHALL BE APPLIED IN DIRECT CONTACT WITH UNDERSIDE OF THE STRUCTURAL ROOF SHEATHING.</p> <p>b. WHERE AIR-PERMEABLE INSULATION IS INSTALLED DIRECTLY BELOW THE STRUCT. SHEATHING, RIGID BOARD OR SHEET INSULATION SHALL BE INSTALLED DIRECTLY ABOVE THE STRUCTURAL ROOF SHEATHING w/ MIN. R VALUE BASED ON CLIMATE ZONE PER TABLE R806.5.</p> <p>c. WHERE BOTH AIR-IMPERMEABLE AND AIR-PERMEABLE INSULATION ARE PROVIDED, THE AIR-IMPERMEABLE INSULATION SHALL BE APPLIED IN DIRECT CONTACT WITH THE UNDERSIDE OF THE STRUCT. ROOF SHEATHING w/ MIN. R VALUE BASED ON CLIMATE ZONE PER TABLE R806.5 FOR CONDENSATION CONTROL.</p>	<p>19. VOC'S MUST COMPLY WITH THE LIMITATION LISTED IN SECTION 4.504.3 AND TABLES 4.504.1, 4.504.2, 4.504.3, AND 4.504.4 FOR: ADHESIVES, PAINTS, STAINS, CAULKS AND COATINGS, CARPET AND COMPOSITION WOOD PRODUCTS.DOCUMENTATION SHALL BE PROVIDED TO VERIFY THAT COMPLIANT VOC LIMIT FINISHED MATERIALS HAVE BEEN USED.</p> <p>20. INTERIOR MOISTURE CONTROL AT SLAB ON GRADE FLOORS SHALL BE PROVIDED BY THE SOIL ENGINEER. IF A SOIL ENGINEER HAS NOT PREPARED A SOIL REPORT FOR THIS PROJECT, THE FOLLOWING IS REQUIRED: A 4" THICK BASE OF 1/2" OR LARGER CLEAN AGGREGATE SHALL BE PROVIDED WITH A VAPOR BARRIER IN DIRECT CONTACT WITH CONCRETE, WITH A CONCRETE MIX DESIGN WHICH WILL ADDRESS BLEEDING, SHRINKAGE AND CURLING SHALL BE USED.</p> <p>21. MOISTURE CONTENT OF WOOD SHALL NOT EXCEED 19% BEFORE IT IS ENCLOSED IN CONSTRUCTION. THE MOISTURE CONTENT NEEDS TO BE CERTIFIED BY ONE OF 3 METHODS SPECIFIED. BUILDING MATERIAL WITH VISIBLE SIGNS OF WATER DAMAGE SHOULD NOT BE USED IN CONSTRUCTION. THE MOISTURE CONTENT MUST BE DETERMINED BY THE CONTRACTOR BY ONE OF THE LISTED METHODS LISTED IN CGC SECTION 4.505.3 PRIOR TO FINAL APPROVAL OF THE BUILDING THE LICENSED CONTRACTOR, ARCHITECT OR ENGINEER IN RESPONSIBLE CHARGE OF THE OVERALL CONSTRUCTION MUST COMPLETE AND SIGN THE GREEN BUILDING STANDARDS CERTIFICATION FORM AND GIVEN TO THE BUILDING DEPT OFFICIAL TO BE FILED WITH THE APPROVED PLANS</p> <p>23. LANDSCAPE IRRIGATION WATER USE SHALL HAVE WEATHER BASED CONTROLLERS.</p> <p>24. PROJECTS WHICH DISTURB LESS THAN ONE ACRE OF SOIL SHALL MANAGE STORM WATER DRAINAGE DURING CONSTRUCTION BY ONE OF THE FOLLOWING: A. RETENTION BASIN. B. WHERE STORM WATER IS CONVEYED TO A PUBLIC DRAINAGE SYSTEM, WATER SHALL BE FILTERED BY USE OF A BARRIER SYSTEM, WATTLE OR OTHER APPROVED METHOD. CGC 4.106.2.</p> <p>25. THE CONTRACTOR SHALL SUBMIT A CONSTRUCTION WASTE MANAGEMENT PLAN TO THE JURISDICTION AGENCY THAT REGULATES WASTE MANAGEMENT, PER CGC 4.408.2.</p> <p>26. THE BUILDER IS TO PROVIDE AN OPERATION MANUAL (CONTAINING INFORMATION FORM MAINTAINING APPLIANCES, ETC.) FOR THE OWNER AT THE TIME OF FINAL INSPECTION. CGC 4.410.0.</p> <p>27. DURING CONSTRUCTION, ENDS OF DUCT OPENINGS ARE TO BE SEALED, AND MECHANICAL EQUIPMENT IS TO BE COVERED. CGC 4.504.1</p> <p>28. BATHROOM FANS SHALL BE ENERGY STAR RATED, VENTED DIRECTLY TO THE OUTSIDE AND CONTROLLED BY A HUMIDISTAT.</p> <p>29. SPECIAL INSPECTORS EMPLOYED BY THE ENFORCING AGENCY MUST BE QUALIFIED AND ABLE TO DEMONSTRATE COMPETENCE IN THE DISCIPLINE THEY ARE INSPECTING.</p> <p>30. VERIFICATION OF COMPLIANCE WITH THIS CODE MAY INCLUDE CONSTRUCTION DOC. PLANS, SPECIFICATION BUILDER OR INSTALLER CERTIFICATIONS, INSPECTIONS REPORTS, OR OTHER METHODS ACCEPTABLE TO THE ENFORCING AGENCY WHICH TO SHOW SUBSTANTIAL CONFORMANCE.</p> <p>31. NEW SINGLE FAMILY RESIDENTIAL CONSTRUCTION SHALL BE DESIGNED FOR AGING-IN-PLACE DESIGN AND FALL PREVENTION PER R327</p> <p>A) AT LEAST ONE BATHROOM ON THE ENTRY LEVEL SHALL BE PROVIDED WITH REINFORCEMENT INSTALLED, WHERE THERE IS NO BATHROOM ON THE ENTRY LEVEL, AT LEAST ONE BATHROOM ON THE SECOND OR THIRD FLOOR OF THE DWELLING SHALL COMPLY WITH THIS SECTION.</p> <p>B) REINFORCEMENT SHALL BE SOLID LUMBER OR OTHER CONSTRUCTION MATERIALS APPROVED BY THE ENFORCING AGENCY.</p> <p>C) REINFORCEMENT SHALL NOT BE LESS THAN 2 BY 8 INCH NOMINAL LUMBER. REINFORCEMENT SHALL BE LOCATED BETWEEN 32 INCHES AND 39-1/4 INCHES ABOVE THE FINISHED FLOOR FLUSH WITH THE WALL FRAMING.</p> <p>D) WATER CLOSET REINFORCEMENT SHALL BE INSTALLED ON BOTH SIDE WALLS OF THE FIXTURE, OR ONE SIDE WALL AND THE BACK WALL.</p> <p>E) SHOWER REINFORCEMENT SHALL BE CONTINUOUS WHERE WALL FRAMING IS PROVIDED.</p> <p>F) BATHTUB AND COMBINATION BATHTUB/SHOWER REINFORCEMENT SHALL BE CONTINUOUS ON EACH END OF THE BATHTUB AND THE BACK WALL. ADDITIONALLY, BACK WALL REINFORCEMENT FOR A LOWER GRAB BAR SHALL BE PROVIDED WITH THE BOTTOM EDGE LOCATED NO MORE THAN 6 INCHES ABOVE THE BATHTUB RIM.</p>	<p>5. WHERE WHOLE HOUSE FANS ARE USED IN BATHROOM AREAS, THE FAN MUST RUN CONTINUOUSLY AND SHALL NOT BE TIED TO HUMIDITY CONTROL SENSOR. (CAL GREEN 4.506.1)</p> <p>6. ENVIRONMENTAL AIR DUCTS SHALL TERMINATE MIN. 3 FEET FROM PROPERTY LINE OR OPENINGS INTO BLDG., AND 10" FROM A FORCED AIR INLET. (CMC 502.2.1)</p> <p>7. ALL HOSE BIBS ARE TO HAVE VACUUM BREAKERS. (CPC603.5.7)</p> <p>8. THE MAX. AMOUNT OF WATER CLOSETS ON A 3" HORIZONTAL DRAINAGE SYSTEM LINE IS 6 (CPC TABLE 703.2)</p> <p>9. THE MAX. AMOUNT OF WATER CLOSETS ON A 3" VERTICAL DRAINAGE LINE IS 5. (CPC TABLE 703.2)</p> <p>10. PROVIDE GAS LINES WITH A MN. CAPACITY OF 200,000BTU FOR WATER HEATER. (CAL ENERGY CODE 150.0(N)).</p> <p>11. PROVIDE A CONDENSATE DRAIN NO MORE THAN 2" ABOVE THE BASE OF THE WATER HEATER SPACE. (CAL ENERGY CODE 150.0 (N)).</p> <p>12. INSULATE ALL HOT WATER PIPES. CAL ENERGY CODE 150.0(j) (2), and CPC 609.11)</p> <p>13. ISOLATION VALVES ARE REQ. FOR TANKLESS WATER HEATERS ON THE HOT AND COLD SUPPLY LINES WITH HOSE BIBS ON EACH VALVE, TO FLUSH THE HEAT EXCHANGER. (CAL ENERGY CODE 110.3(7)).</p> <p>14. EXHAUST DUCTS AND DRYER VENTS SHALL BE EQUIPPED WITH BACK DRAFT DAMPERS</p> <p>15. ALL EXHAUST FANS SHALL BE SWITCHED SEPARATELY FROM LIGHTING SYSTEMS. (CENC 150(K) 2B)</p> <p>16. PLUMBING FIXTURES AND FITTINGS INSTALLED IN RESIDENTIAL BUILDINGS SHALL COMPLY WITH THE PRESCRIPTIVE REQ. OF SECTIONS 4.303.1.1 THROUGH 4.303.1.4.4.</p> <p>17. PLUMBING FIXTURES AND FITTINGS REQ. IN SECTION 4.303.1 SHALL BE INSTALLED IN ACCORDANCE WITH THE CALIFORNIA PLUMBING CODE AND SHALL MEET THE THE APPLICABLE REFERENCE STANDARDS.</p>	<p>16. PER CEC 2022 150.0(N).1.A.: IF THE DESIGNATED SPACE IS WITHIN 3 FEET FROM THE WATER HEATER, THEN THIS SPACE SHALL INCLUDE THE FOLLOWING: A DEDICATED 125 VOLT, 20 AMP ELECTRICAL RECEPTACLE THAT IS CONNECTED TO THE ELECTRIC PANEL WITH A 120/240 VOLT 3 CONDUCTOR, 10 AWG COPPER BRANCH CIRCUIT, WITHIN 3 FEET FROM THE WATER HEATER AND ACCESSIBLE TO THE WATER HEATER WITH NO OBSTRUCTIONS; AND</p> <ul style="list-style-type: none"><li>BOTH ENDS OF THE UNUSED CONDUCTOR SHALL BE LABELED WITH THE WORD "SPARE" AND BE ELECTRICALLY ISOLATED; AND</li><li>A RESERVED SINGLE POLE CIRCUIT BREAKER SPACE IN THE ELECTRICAL PANEL ADJACENT TO THE CIRCUIT BREAKER FOR THE BRANCH CIRCUIT IN A ABOVE AND LABELED WITH THE WORDS "FUTURE 240V USE"; AND</li><li>A CONDENSATE DRAIN THAT IS NO MORE THAN 2 INCHES HIGHER THAN THE BASE OF THE INSTALLED WATER HEATER, AND ALLOWS NATURAL DRAINING WITHOUT PUMP ASSISTANCE.</li></ul> <p>17. ELECTRICAL RECEPTACLE OUTLETS IN BATHROOM MUST BE NO MORE THAN 48 INCHES OR LESS THAN 15-INCHES MEASURE FROM THE FINISHED FLOOR.</p> <p>18. DOORBELL BUTTON MUST BE INSTALLED NO MORE THAN 48 INCHES FROM EXTERIOR FLOOR.</p> <p>19. LUMINAIRE EFFICACY - ALL INSTALLED LUMINAIRES SHALL MEET THE REQUIREMENTS OF 2022 BUILDING ENERGY EFFICIENCY STANDARDS TABLE 150.0-A PER SECTION 150.0(K).</p>
	<p><b>FLOOR PLAN NOTES</b></p> <p>1. ALL DIMENSIONS TO FACE OF STUD, U.N.O.</p> <p>2. ALL DOORS SHOULD BE 3 1/2" FROM NEAREST INTERSECTING WALL AT HINGED SIDE, U.N.O.</p> <p>3. WRITTEN DIMENSIONS TO PREVAIL OVER SCALING OF DRAWINGS. CONTRACTOR TO VERIFY ALL DIM. PRIOR TO CONSTRUCTION AND IMMEDIATELY NOTIFY OWNER OF ANY DISCREPANCIES.</p> <p>4. REFER TO FRAMING PLANS AND SECTIONS FOR CLARIFICATION AND DIM. NOT SHOWN.</p> <p>5. ALL ROOF DRAIN PIPES TO BE MIN. 2" STORM DRAINAGE SYSTEM UNLESS LOCAL CODE REQUIRES LARGER DRAIN SIZES. ROOF GUTTERS: STYLE A - INSTALLED AND DESIGNED IN ACCORDANCE WITH SMACNA MANUAL, PLATE #1,#2 &amp; #3,GUTTER, PAGE 6 - 11, WIDTH AS REQUIRED TO HANDLE THE AMOUNT OF ROOF WATER FOR MAXIMUM STORMS, SMACNA CHART #2, PAGE #2. GUTTER: SIZE; PAGES 1,2, 3, 4, 5 &amp; 6, CHARTS#1,#2,#3,#4,#5#6 &amp; #7 STYLE: PLATE #2, STYLE A, PAGE 9 EXPANSION:PLATE #6, PAGE 16 &amp; 17 HANGING: PLATE #19, FIG. C, PAGE 43. DOWN SPOUTS: PLAIN RECTANGULAR,AS REQUIRED BY SMACNA MANUAL CHART #3, PAGE #3. SEE ARCHITECT FOR LOCATIONS OF DOWN SPOUTS. ALL DOWN SPOUTS ARE TO BE DESIGNED TO HANDLE THE AMOUNT OF ROOF WATER FOR MAXIMUM STORMS, SMACNA CHART #2, PAGE #2. DOWN SPOUTS ARE TO DEPOSIT DIRECTLY OVER A NDS 6 INCH SQUARE, MODEL 641 OR APPROVED EQUAL (SEE SECTION 02710 MORE INFORMATION )</p> <p>6. TRANSITION OF FLOOR MATERIALS OCCURRING IN OPENINGS WITH DOORS TO BE LOCATED UNDER THE CENTER OF THE DOOR IN THE CLOSED POSITION. TRANSITION OF FLOOR MATERIAL OCCURRING WITH NO DOOR TO BE LOCATED TO ALIGN WITH THE FACE OF THE PARTITION, U.O.N</p> <p>7. DIFFUSERS AND GRILLS TO MATCH COLOR OF SURFACE AT WHICH THEY ARE MOUNTED, U.O.N.</p> <p>8. FLOOR FINISH TO CONTINUE UNDER MILLWORK WHERE FLOOR IS VISIBLE (I.E. TRASH, RECYCLING, ECT.) 8. SILICON SEALANT AT GLAZING TO BE CLEAR, U.O.N.</p> <p>9. PLUMBING, ELECTRICAL, AND SPRINKLER EQUIPMENT, IF REQUIRED TO BE PAINTED TO MATCH COLOR OF ADJACENT SURFACE.</p> <p>10. ALL FINISH MATERIAL MUST MEET ALL APPLICATION FIRE, LIFE SAFETY, AND BUILDING CODES. 80% OF FLOOR AREA RECEIVING RESILIENT FLOORING SHALL COMPLY WITH SPECIFIED VOC CRITERIA. PARTICLE BOARD, MDF AND PLYWOOD USED IN INTERIOR FINISH SYSTEMS SHALL COMPLY WITH LOW FORMALDEHYDE EMISSION STANDARDS.</p> <p>11. OPERATION AND MAINTENANCE MANUAL: THE BUILDER IS TO PROVIDE AN OPERATION MANUAL (CONTAINING INFORMATION FOR MAINTAINING APPLIANCES, ETC.) FOR THE OWNER AT THE TIME OF FINAL INSPECTION.</p> <p>12. WEEP SCREED FOR STUCCO AT THE FOUNDATION PLATE LINE SHALL BE A MIN. OF 4" ABOVE THE EARTH OR 2" ABOVE PAVED AREAS, CRC R703.7.2.1, CBC 2512.1.2</p> <p>13. FASTENERS AND CONNECTIONS (NAILS, ANCHORS BOLTS ECT) IN CONTACT WITH PRESERVATIVE -TREATED WOOD SHALL BE OF HOT-DIPPED ZINC-COATED GALVANIZED STEEL, STAINLESS STEEL, SILICON BRONZE OR COPPER. (CRC R317.3, CBC 2304.10.5)</p> <p>14. ANCHOR BOLTS SHALL INCLUDE STEEL PLATE WASHERS A MIN. OF 0.229" X 3" X 3" IN SIZE, BETWEEN SILL PLATE AND NUT. (CRC R602.11.1, CBC 2308.3.2 ACCEPTANCE ALTERNATIVE SDPWS 4.3.6.4.3)</p> <p>15. FUTURE WATER HEATERS AND PLUMBING FIXTURES SHALL MEET THE REQUIREMENTS OF SECTION 2-5314 AND TABLE 2-53G, TITLE 24, C.A.C.</p> <p>16. 15, 20 AND 30 AMP. RECEPTACLE OUTLETS SHALL BE INSTALLED NO MORE THAN 48" MEASURED FROM THE TOP OF OUTLET BOX AND NOT LESS THAN 15" FROM THE BOTTOM OF OUTLET BOX ABOVE THE FLOOR.</p> <p>17. SITE SHALL BE PLANNED AND DEVELOPED TO KEEP SURFACE WATER AWAY FROM BUILDINGS. PLANS SHALL BE PROVIDED AND APPROVED BY THE CITY ENGINEER THAT SHOW SITE GRADING AND PROVIDE FOR STORM WATER RETENTION AND DRAINAGE DURING CONSTRUCTION. BMP'S THAT ARE CURRENTLY ENFORCED BY THE CITY ENGINEER MUST BE IMPLEMENTED PRIOR TO INITIAL INSPECTION BY THE BUILDING DEPT.</p> <p>18. 65 % OF CONSTRUCTION WASTE IS TO BE RECYCLED AND 100% OF INERT MATERIALS ARE RECYCLED SALVAGED,COMPOSTED.</p>	<p><b>ELECTRICAL NOTES</b></p> <p>1. RECEPTACLE OUTLET LOCATIONS WILL COMPLY WITH CEC ARTICLE 210.52 &amp; CRC SECTION R327.1.2. TAMPER RESISTANT RECEPTACLE OUTLET LOCATIONS SHALL COMPLY W/ NEC ART. 210.52 AND 550.13 (I.E. ALL RECEPTACLES IN A DWELLING).</p> <p>2. ARC-FAULT PROTECTION FOR ALL OUTLETS (NOT JUST RECEPTACLES) LOCATED IN ROOMS DESCRIBED IN NEC 210.12(A); KITCHENS, LAUNDRY AREAS, FAMILY, LIVING, BEDROOMS, DINING, HALLS, ETC. ALL BRANCH CIRCUITS WILL BE ARC FAULT CIRCUIT PROTECTED PER NEC ART. 210-12(B). THERE ARE TO BE A MINIMUM OF 2 SMALL APPLIANCE BRANCH CIRCUITS WITHIN THESE AREAS CEC 210.11(C)1</p> <p>3. BATHROOM CIRCUITING SHALL BE EITHER: a) A 20 AMPERE CIRCUIT DEDICATED TO EACH BATHROOM. b) AT LEAST ONE 20 AMPERE CIRCUIT SUPPLYING ONLY BATHROOM RECEPTACLE OUTLETS PER NEC ART. 210-11(c)3.</p> <p>4. ALL 125-VOLT, SINGLE-PHASE, 15- AND 20- AMPERE RECEPTACLES INSTALLED IN BATHROOMS, GARAGES, BASEMENTS, OUTDOORS, LAUNDRY AREA, KITCHEN DISHWASHERS, KITCHEN COUNTERS AND AT WET BAR SINKS, WITHIN 6' OF A SINK, SHALL BE GFCI PROTECTED PER NEC ART. 210-8(A).</p> <p>5. WEATHER RESISTANT TYPE FOR RECEPTACLES INSTALLED IN DAMP OR WET LOCATIONS (OUTSIDE) NEC 406.4(D)(6)</p> <p>6. PER LIGHTING MEASURES 150(K)4 N-24, THE BEDROOMS, HALLWAY, LIVING ROOM AND OFFICE ARE REQUIRED TO HAVE ANY INSTALLED FIXTURE TO BE ON A DIMMER SWITCH OR THE FIXTURE NEEDS TO BE HIGH EFFICACY.</p> <p>7. OUTDOOR LIGHTING FIXTURES ARE REQUIRED TO BE HIGH EFFICACY OR CONTROLLED BY A COMBINATION PHOTOCONTROL / MOTION SENSOR.</p> <p>8. A RECEPTACLE OUTLET MUST BE INSTALLED IN EVERY ROOM SO THAT NO POINT ALONG THE WALL SPACE IS MORE THAN 6 FEET, MEASURED HORIZONTALLY ALONG THE FLOOR LINE FROM A RECEPTACLE OUTLET CEC 210.52(A)</p> <p>9. SMOKE DETECTORS MUST BE PERMANENTLY WIRED. IN NEW CONSTRUCTION, REQUIRED SMOKE ALARMS SHALL RECEIVE THEIR PRIMARY POWER FROM THE BUILDING WIRING WHERE SUCH WIRING IS SERVED FROM A COMMERCIAL SOURCE AND SHALL BE EQUIPPED WITH A BATTERY BACK-UP. SMOKE ALARMS SHALL EMIT A SIGNAL WHEN THE BATTERIES ARE LOW. WIRING SHALL BE PERMANENT AND WITHOUT A DISCONNECTING SWITCH OTHER THAN AS REQUIRED FOR OVERCURRENT PROTECTION.</p> <p>10. WHERE MORE THAN ONE SMOKE ALARM IS REQUIRED TO BE INSTALLED, THE SMOKE ALARMS SHALL BE INTERCONNECTED IN SUCH A MANNER THAT THE ACTIVATION OF ONE ALARM WILL ACTIVATE ALL THE ALARMS IN THE INDIVIDUAL DWELLING UNIT. THE ALARM SHALL BE CLEARLY AUDIBLE IN ALL BEDROOMS OVER BACKGROUND NOISE LEVELS WITH ALL INTERVENING DOORS CLOSED.</p> <p>11. ALL EXHAUST FANS SHALL BE SWITCHED SEPARATELY FROM LIGHTING SYSTEMS. (CENC 150(K) 2B)</p> <p>12. A MINIMUM OF ONE LUMINAIRE SHALL BE INSTALLED IN BATHROOM CONTROLLED BY AN OCCUPANT OR VACANCY SENSOR PROVIDING AUTOMATIC -OFF FUNCTIONALLY (CENC 150.0(K)21)</p> <p>13. LAUNDRY AREA SHALL AT LEAST 1-20 AMP DEDICATED BRANCH CIRCUIT (CEC 210 .11 (C)2)</p> <p>14. PROVIDE A DEDICATED CIRCUIT FOR THE A.C./FAU (CEC 422.12)</p> <p>15. A DEDICATED 125V, 20AMP ELECTRICAL RECEPTACLE THAT IS CONNECTED TO THE ELECTRICAL PANEL WITH A 125V -VOLT 3 CONDUCTOR, 10 AWG COPPER BRANCH CIRCUIT, WITHIN 3 FEET FROM THE WATER HEATER AND ACCESSIBLE TO THE WATER HEATER WITH NO OBSTRUCTIONS (CENC 150.0(N)1A)</p>	<p><b>ELECTRIC READY NOTES:</b> <b>2022 ENERGY EFFICIENCY STANDARDS 150.0</b></p> <p>(S) ENERGY STORAGE SYSTEMS (ESS) READY. ALL SINGLE-FAMILY RESIDENCES THAT INCLUDE ONE OR TWO DWELLING UNITS SHALL MEET THE FOLLOWING. ALL ELECTRICAL COMPONENTS SHALL BE INSTALLED IN ACCORDANCE WITH THE CALIFORNIA ELECTRICAL CODE:</p> <p>1. AT LEAST ONE OF THE FOLLOWING SHALL BE PROVIDED:</p> <p>A. ESS READY INTERCONNECTION EQUIPMENT WITH A MINIMUM BACKED-UP CAPACITY OF 60 AMPS AND A MINIMUM OF FOUR ESS-SUPPLIED BRANCH CIRCUITS, OR B. A DEDICATED RACEWAY FROM THE MAIN SERVICE TO A PANELBOARD (SUBPANEL) THAT SUPPLIES THE BRANCH CIRCUITS IN SECTION 150.0(S)(2). ALL BRANCH CIRCUITS ARE PERMITTED TO BE SUPPLIED BY THE MAIN SERVICE PANEL PRIOR TO THE INSTALLATION OF AN ESS. THE TRADE SIZE OF THE RACEWAY SHALL BE NOT LESS THAN ONE INCH. THE PANELBOARD THAT SUPPLIES THE BRANCH CIRCUITS (SUBPANEL) MUST BE LABELED "SUBPANEL SHALL INCLUDE ALL BACKED-UP LOAD CIRCUITS."</p> <p>2. A MINIMUM OF FOUR BRANCH CIRCUITS SHALL BE IDENTIFIED AND HAVE THEIR SOURCE OF SUPPLY COLLOCATED AT A SINGLE PANELBOARD SUITABLE TO BE SUPPLIED BY THE ESS. AT LEAST ONE CIRCUIT SHALL SUPPLY THE REFRIGERATOR, ONE LIGHTING CIRCUIT SHALL BE LOCATED NEAR THE PRIMARY EGRESS, AND AT LEAST ONE CIRCUIT SHALL SUPPLY A SLEEPING ROOM RECEPTACLE OUTLET.</p> <p>3. THE MAIN PANELBOARD SHALL HAVE A MINIMUM BUSBAR RATING OF 225 AMPS.</p> <p>4. SUFFICIENT SPACE SHALL BE RESERVED TO ALLOW FUTURE INSTALLATION OF A SYSTEM ISOLATION EQUIPMENT/TRANSFER SWITCH WITHIN 3 FEET OF THE MAIN PANELBOARD. RACEWAYS SHALL BE INSTALLED BETWEEN THE PANELBOARD AND THE SYSTEM ISOLATION EQUIPMENT/TRANSFER SWITCH LOCATION TO ALLOW THE CONNECTION OF BACKUP POWER SOURCE.</p> <p>(T) HEAT PUMP SPACE HEATER READY. SYSTEMS USING GAS OR PROPANE FURNACE TO SERVE INDIVIDUAL DWELLING UNITS SHALL INCLUDE THE FOLLOWING:</p> <p>1. A DEDICATED 240 VOLT BRANCH CIRCUIT WIRING SHALL BE INSTALLED WITHIN 3 FEET FROM THE FURNACE AND ACCESSIBLE TO THE FURNACE WITH NO OBSTRUCTIONS. THE BRANCH CIRCUIT CONDUCTORS SHALL BE RATED AT 30 AMPS MINIMUM. THE BLANK COVER SHALL BE IDENTIFIED AS "240V READY." ALL ELECTRICAL COMPONENTS SHALL BE INSTALLED IN ACCORDANCE WITH THE CALIFORNIA ELECTRICAL CODE.</p> <p>2. THE MAIN ELECTRICAL SERVICE PANEL SHALL HAVE A RESERVED SPACE TO ALLOW FOR THE INSTALLATION OF A DOUBLE POLE CIRCUIT BREAKER FOR A FUTURE HEAT PUMP SPACE HEATER INSTALLATION. THE RESERVED SPACE SHALL BE PERMANENTLY MARKED AS "FOR FUTURE 240V USE."</p> <p>(U) ELECTRIC COOKTOP READY. SYSTEMS USING GAS OR PROPANE COOKTOP TO SERVE INDIVIDUAL DWELLING UNITS SHALL INCLUDE THE FOLLOWING:</p> <p>1. A DEDICATED 240 VOLT BRANCH CIRCUIT WIRING SHALL BE INSTALLED WITHIN 3 FEET FROM THE COOKTOP AND ACCESSIBLE TO THE COOKTOP WITH NO OBSTRUCTIONS. THE BRANCH CIRCUIT CONDUCTORS SHALL BE RATED AT 50 AMPS MINIMUM. THE BLANK COVER SHALL BE IDENTIFIED AS "240V READY." ALL ELECTRICAL COMPONENTS SHALL BE INSTALLED IN ACCORDANCE WITH THE CALIFORNIA ELECTRICAL CODE.</p> <p>2. THE MAIN ELECTRICAL SERVICE PANEL SHALL HAVE A RESERVED SPACE TO ALLOW FOR THE INSTALLATION OF A DOUBLE POLE CIRCUIT BREAKER FOR A FUTURE ELECTRIC COOKTOP INSTALLATION. THE RESERVED SPACE SHALL BE PERMANENTLY MARKED AS "FOR FUTURE 240V USE."</p> <p>(V) ELECTRIC CLOTHES DRYER READY. CLOTHES DRYER LOCATIONS WITH GAS OR PROPANE PLUMBING TO SERVE INDIVIDUAL DWELLING UNITS SHALL INCLUDE THE FOLLOWING:</p> <p>1. A DEDICATED 240 VOLT BRANCH CIRCUIT WIRING SHALL BE INSTALLED WITHIN 3 FEET FROM THE CLOTHES DRYER LOCATION AND ACCESSIBLE TO THE CLOTHES DRYER LOCATION WITH NO OBSTRUCTIONS. THE BRANCH CIRCUIT CONDUCTORS SHALL BE RATED AT 30 AMPS MINIMUM. THE BLANK COVER SHALL BE IDENTIFIED AS "240V READY." ALL ELECTRICAL COMPONENTS SHALL BE INSTALLED IN ACCORDANCE WITH THE CALIFORNIA ELECTRICAL CODE.</p> <p>2. THE MAIN ELECTRICAL SERVICE PANEL SHALL HAVE A RESERVED SPACE TO ALLOW FOR THE INSTALLATION OF A DOUBLE POLE CIRCUIT BREAKER FOR A FUTURE ELECTRIC CLOTHES DRYER INSTALLATION. THE RESERVED SPACE SHALL BE PERMANENTLY MARKED AS "FOR FUTURE 240V USE."</p>	
				<p>project</p> <p>City of Carlsbad Pre-Approved ADU Program</p> <p>revisions</p> <p>△ △ △ △</p> <p>description</p> <p>General Notes</p> <p>date 05 May 2023</p> <p>project no. 2022_Carlsbad_ADU</p> <p>drawn by Design Path Studio</p> <p>sheet no. <b>G0.2</b></p>



HIGH AND VERY HIGH FIRE SEVERITY ZONE (VHFSZ) NOTES

GENERAL NOTE:  
THE ADU SHALL COMPLY WITH CHAPTER 7A OF THE CURRENT CALIFORNIA BUILDING CODE IF IT IS IN THE VHFSZ. STRUCTURES IN THE VERY HIGH FIRE HAZARD SEVERITY ZONE SHALL PROVIDE & MAINTAIN A FUEL MODIFICATION ZONE. FUEL MODIFICATION ZONES: THE APPLICANT SHALL PROVIDE AND MAINTAIN FIRE/FUEL BREAKS TO THE SATISFACTION OF THE CITY'S FIRE DEPARTMENT. FIRE/FUEL BREAK SIZE (MINIMUM 100 FEET FROM STRUCTURE) & COMPOSITION SHALL BE DETERMINED BY THE FIRE DEPARTMENT & SHOWN ON THE IMPROVEMENT/GRADING PLANS, FINAL MAP, & BUILDING PLANS

CBC CHAPTER 7A - MATERIALS & CONSTRUCTION METHODS FOR EXTERIOR WILDLIFE EXPOSURE IF THE PROPERTY THAT WILL CONTAIN THE ADU IS IN THE VERY HIGH FIRE HAZARD SEVERITY ZONE THESE NOTES SHALL APPLY. THE JURISDICTION HAS DETERMINED THAT THIS PROJECT IS IN A WILDLIFE -URBAN INTERFACE AREA. PLEASE SHOW COMPLIANCE WITH THE FOLLOWING ITEMS FOR NEW BUILDINGS, PER THE 2022 CBC. EXCEPTIONS:

- BUILDINGS OF AN ACCESSORY CHARACTER CLASSIFIED AS A GROUP U OCCUPANCY AND NOT EXCEEDING 120 SQUARE FEET IN FLOOR AREA, WHEN LOCATED AT LEAST 30 FEET FROM AN APPLICABLE BUILDING.
- BUILDINGS OF AN ACCESSORY CHARACTER CLASSIFIED AS A GROUP U OCCUPANCY OF ANY SIZE LOCATED LEAST 50' FROM AN APPLICABLE BUILDING.
- BUILDINGS CLASSIFIED AS A GROUP U AGRICULTURE BUILDING, AS DEFINED IN SECTION 202 OF THE CODE (SEE ALSO APPENDIX C - GROUP U AGRICULTURE BUILDINGS ), WHEN LOCATED AT LEAST 50' FROM AN APPLICABLE BUILDING.

REQUIREMENTS:

- 705A.2 ROOF COVERINGS. WHERE THE ROOF PROFILE HAS AN AIRSPACE UNDER THE ROOF COVERING, INSTALLED OVER A COMBUSTIBLE DECK, A 72 LB. (32.7 KG) CAP SHEET COMPLYING WITH ASTM D3909 STANDARD SPECIFICATION FOR "ASPHALT ROLLED ROOFING (GLASS FELT) SURFACED WITH MINERAL GRANULES," SHALL BE INSTALLED OVER THE ROOF DECK. BIRD STOPS SHALL BE USED AT THE EAVES WHEN THE PROFILE FITS. TO PREVENT DEBRIS AT THE EAVE. HIP AND RIDGE CAPS SHALL BE MUDDED IN TO PREVENT INTRUSION OF FIRE OR EMBERS. EXCEPTION: CAP SHEET IS NOT REQUIRED WHEN NO LESS THAN 1" OF MINERAL WOOL BOARD OR OTHER NONCOMBUSTIBLE MATERIAL IS LOCATED BETWEEN THE ROOFING MATERIAL AND WOOD FRAMING OR DECK. ALTERNATELY, A CLASS A FIRE RATED ROOF UNDERLAYMENT, TESTED IN ACCORDANCE WITH ASTM E108, SHALL BE PERMITTED TO BE USED. IF THE SHEATHING CONSISTS OF EXTERIOR FIRE-RETARDANT TREATED WOOD, THE UNDERLAYMENT SHALL NOT BE REQUIRED TO COMPLY WITH A CLASS A CLASSIFICATION. BIRD STOPS SHALL BE USED AT THE EAVES WHEN THE PROFILE FITS, TO PREVENT DEBRIS AT THE EAVE. HIP AND RIDGE CAPS SHALL BE MUDDED IN TO PREVENT INTRUSION OF FIRE OR EMBERS.
- 705.a ROOF VALLEYS. WHERE VALLEY FLASHING IS INSTALLED, THE FLASHING SHALL BE NOT LESS THAN 0.019-INCH NO. 26 GAGE GALVANIZED SHEET CORROSION-RESISTANT METAL INSTALLED OVER NOT LESS THAN ONE LAYER OF MIN. 72 POUND MINERAL - SURFACED NON PERFORATED CAP SHEET COMPLYING WITH ASTM D 3909. AT LEAST 36-INCH -WIDE RUNNING THE FULL LENGTH OF THE VALLEY.
- 705A.4 ROOF GUTTER. ROOF GUTTERS SHALL BE PROVIDED WITH THE MEANS TO PREVENT THE ACCUMULATION OF LEAVES AND DEBRIS IN THE GUTTER.
- 706A.2 VENTILATION OPENINGS SHALL BE FULLY COVERED WITH WILDFIRE FLAME ADN EMBER RESISTANT VENTS APPROVED AND LISTED BY THE CALIFORNIA STATE FIRE MARSHAL, OR WUI VENTS TESTED TO ASTM E2886 AND LISTED, BY COMPLYING WITH ALL OF THE FOLLOWING REQUIREMENTS:
  - THERE SHALL BE NO FLAMING IGNITION OF THE COTTON MATERIAL DURING THE EMBER INTRUSION TEST
  - THERE SHALL BE NO FLAMING IGNITION DURING THE INTEGRITY TEST PORTION OF THE FLAME INTRUSION TEST
  - THE MAXIMUM TEMPERATURE OF THE UNEXPOSED SIDE OF THE VENT SHALL NOT EXCEED 662 F
- 706A.2.1 VENTS THAT ARE INSTALLED ON A SLOPED ROOF, SUCH AS DORMER VENTS, SHALL COMPLY WITH ALL THE FOLLOWING
  - VENTS SHALL BE COVERED WITH A MESH WHERE THE DIMENSIONS OF THE MESH THEREIN SHALL BE A MINIMUM OF  $\frac{1}{16}$  - INCH AND SHALL NOT EXCEED  $\frac{3}{4}$  - INCH IN DIAMETER
  - THE MESH MATERIAL SHALL BE NONCOMBUSTIBLE
  - THE MESH MATERIAL SHALL BE CORROSION RESISTANT.
- 707A.3 EXTERIOR WALLS COVERINGS. THE EXTERIOR WALL COVERING SHALL COMPLY WITH ONE OR MORE OF THE FOLLOWING REQUIREMENTS, EXCEPT AS PERMITTED FOR EXTERIOR WALL ASSEMBLIES COMPLYING WITH SECTION 707A.4:
  - NONCOMBUSTIBLE MATERIAL
  - IGNITION- RESISTANT MATERIAL. THE IGNITION-RESISTANT MATERIAL SHALL BE LABELED FOR EXTERIOR USE AND SHALL MEET THE REQUIREMENTS OF SECTION 704A.2.
  - FIRE-RETARDANT-TREATED WOOD. THE FIRE-RETARDANT-TREATED WOOD SHALL BE LABELED FOR EXTERIOR USE AND SHALL MEET THE REQUIREMENTS OF SECTION 2303.2.
- 707A.3.1 EXTENT OF EXTERIOR WALL COVERING. EXTERIOR WALL COVERINGS SHALL EXTEND FROM THE TOP OF THE FOUNDATION TO THE ROOF AND TERMINATE AT 2" NOMINAL SOLID WOOD BLOCKING BETWEEN RAFTERS AT ALL ROOF OVERHANGS, OR IN THE CASE OF ENCLOSED EAVES, TERMINATE AT THE ENCLOSURE.

- 707A.4 EXTERIOR WALL ASSEMBLIES. EXTERIOR WALL ASSEMBLIES OF BUILDINGS OR STRUCTURES SHALL BE CONSTRUCTED USING ONE OR MORE OF THE FOLLOWING METHODS, UNLESS THEY ARE COVERED BY AN EXTERIOR WALL COVERING COMPLYING WITH SECTION 707A.3:
  - ASSEMBLY OF SAWN LUMBER OR GLUE LAMINATED WOOD WITH THE SMALLEST MINIMUM NOMINAL DIMENSION OF 4 INCHES. SAWN OR GLUE-LAMINATED PLANKS SPLINED, TONGUE-AND-GROOVE, OR SET CLOSE TOGETHER AND WELL SPIKED.
  - LOG WALL CONSTRUCTION ASSEMBLY
  - ASSEMBLY THAT HAS BEEN TESTED IN ACCORDANCE WITH THE TEST PROCEDURES FOR A 10 MINUTE DIRECT FLAME CONTACT EXPOSURE SET FORTH IN ASTM E2707 WITH THE CONDITIONS OF ACCEPTANCE SHOWN IN SECTION 707A.4.1.
  - ASSEMBLY THAT MEET THE PERFORMANCE CRITERIA IN ACCORDANCE WITH THE TEST PROCEDURES FOR A TEN MINUTE DIRECT FLAME CONTACT EXPOSURE TEST SET FORTH IN SFM STANDARD 12-7A-1
  - ASSEMBLY SUITABLE FOR EXTERIOR FIRE EXPOSURE WITH A 1-HOUR FIRE RESISTANCE RATING, RATED FROM THE EXTERIOR SIDE, AS TESTED IN ACCORDANCE WITH ASTM E119 OR UL263
  - ASSEMBLY SUITABLE FOR EXTERIOR FIRE EXPOSURE CONTAINING ONE LAYER OF  $\frac{5}{8}$  -INCH TYPE X GYPSUM SHEATHING APPLIED BEHIND THE EXTERIOR WALL COVERING OR CLADDING ON THE EXTERIOR SIDE OF THE FRAMING.
  - ASSEMBLY SUITABLE FOR EXTERIOR EXPOSURE CONTAINING ANY OF THE GYPSUM PANEL AND SHEATHING PRODUCTS LISTED IN THE GYPSUM ASSOCIATION FIRE RESISTANCE DESIGN MANUEL AS COMPLYING WITH A 1-HOUR FIRE-RESISTANCE RATING, AS TESTED IN ACCORDANCE WITH ASTM E119 OR UL 263

- 707A.5 OPEN ROOF EAVES. THE EXPOSED ROOF DECK ON THE UNDERSIDE OF ENCLOSED ROOF EAVES SHALL CONSIST OF ONE OR MORE OF THE FOLLOWING:
  - NON COMBUSTIBLE MATERIAL
  - IGNITION- RESISTANT MATERIAL. THE IGNITION-RESISTANT MATERIAL SHALL BE LABELED FOR EXTERIOR USE AN SHALL MEET THE REQUIREMENTS OF SECTION 704A.2
  - FIRE-RETARDANT-TREATED WOOD. THE FIRE-RETARDANT-TREATED WOOD SHALL BE LABELED FOR EXTERIOR USE AND SHALL MEET THE REQUIREMENTS OF SECTION 2303.2
  - MATERIALS APPROVED FOR NOT LESS THAN 1-HOUR FIRE-RESISTANCE-RATED CONSTRUCTION ON THE EXTERIOR SIDE, AS TESTED IN ACCORDANCE WITH ASTM E119 OR UL 263
  - ONE LAYER OF  $\frac{5}{8}$ " TYPE X GYPSUM SHEATHING APPLIES BEHIND AN EXTERIOR COVERING ON THE UNDERSIDE EXTERIOR OF THE ROOF DECK.
  - THE EXTERIOR PORTION A 1- HOUR FIRE RESISTIVE EXTERIOR ASSEMBLY, APPLIES AS TESTED IN ACCORDANCE WITH ASTM E119 OR UL 263, APPLIED TO THE UNDERSIDE OF THE ROOF DECK DESIGNED FOR THE EXTERIOR FIRE EXPOSURE, INCLUDING ASSEMBLES USING THE GYPSUM PANEL AND SHEATHING PRODUCTS LISTED IN THE GYPSUM ASSOCIATION FIRE RESISTANCE DEIGN MANUAL. EXCEPTION TO SECTION 707A.5: THE FOLLOWING MATERIALS DO NOT REQUIRE PROTECTION:
    - FASCIA AND OTHER ARCHITECTURAL TRIM BOARDS
- 707A.6 ENCLOSED ROOF EAVES AND ROOF EAVE SOFFITS. THE EXPOSED UNDERSIDE OF ENCLOSED ROOF EAVES HAVING EITHER A BOXED-IN ROOF EAVE SOFFIT WITH A HORIZONTAL UNDERSIDE,OR SLOPING RAFTER TAILS WITH AN EXTERIOR COVERING APPLIED TO THE UNDERSIDE OF THE RAFTER TAILS, SHALL BE PROTECTED BY ONE OR MORE OF THE FOLLOWING:
  - NONCOMBUSTIBLE MATERIAL
  - IGNITION- RESISTANT MATERIAL. THE IGNITION-RESISTANT MATERIAL SHALL BE LABELED FOR EXTERIOR USE AND SHALL MEET THE REQUIREMENTS OF SECTION 704A.2
  - FIRE-RETARDANT-TREATED-WOOD. THE FIRE-RETARDANT TREATED WOOD SHALL BE LABELED FOR EXTERIOR USE AND SHALL MEET THE REQUIREMENTS OF SECTION 2303.2
  - MATERIALS APPROVED FOR NOT LESS THAN 1-HOUR FIRE-RESISTANCE-RATED CONSTRUCTION ON THE EXTERIOR SIDE, AS TESTED IN ACCORDANCE WITH ASTM E119 OR UL 263.
  - ONE LAYER OF  $\frac{5}{8}$ " TYPE X GYPSUM SHEATHING APPLIED BEHIND AN EXTERIOR COVERING ON THE UNDERSIDE OF FLOOR PROJECTION.
  - THE EXTERIOR PORTION A 1- HOUR FIRE RESISTIVE EXTERIOR ASSEMBLY, INCLUDING ASSEMBLES USING THE GYPSUM PANEL AND SHEATHING PRODUCTS LISTED IN THE GYPSUM ASSOCIATION FIRE RESISTANCE DESIGN MANUAL
  - BOXED-IN ROOF EAVE SOFFIT ASSEMBLIES WITH A HORIZONTAL UNDERSIDE THAT MEET THE PERFORMANCE CRITERIA IN SECTION 707A.11 WHEN TESTED IN ACCORDANCE WITH THE TEST PROCEDURES SET FORTH IN ASTM E2957
  - BOXED-IN ROOF EAVE SOFFIT ASSEMBLIES WITH A HORIZONTAL UNDERSIDE THAT MEET THE PERFORMANCE CRITERIA IN SECTION 707A.11 WHEN TESTED IN ACCORDANCE WITH THE TEST PROCEDURES SET FORTH IN SFM STANDARD 12-7A-3

- 707A.6 EXTERIOR PORCH CEILINGS. THE EXPOSED UNDERSIDE OF THE EXTERIOR PORCH CEILINGS SHALL BE PROTECTED BY ONE OF THE FOLLOWING:
  - NON COMBUSTIBLE MATERIAL
  - IGNITION- RESISTANT MATERIAL. THE IGNITION-RESISTANT MATERIAL SHALL BE LABELED FOR EXTERIOR USE AND SHALL MEET THE REQUIREMENTS OF SECTION 704A.2
  - FIRE-RETARDANT-TREATED-WOOD. THE FIRE-RETARDANT TREATED WOOD SHALL BE LABELED FOR EXTERIOR USE AND SHALL MEET THE REQUIREMENTS OF SECTION 2303.2
  - MATERIALS APPROVED FOR NOT LESS THAN 1-HOUR FIRE-RESISTANCE-RATED CONSTRUCTION ON THE EXTERIOR SIDE, AS TESTED IN ACCORDANCE WITH ASTM E119 OR UL 263
  - ONE LAYER OF  $\frac{5}{8}$ " TYPE X GYPSUM SHEATHING APPLIED BEHIND THE EXTERIOR COVERING OR CLADDING ON THE UNDERSIDE OF THE RAFTER TAILS OR SOFFIT.
  - THE EXTERIOR PORTION A 1- HOUR FIRE RESISTIVE EXTERIOR ASSEMBLY, AS TESTED IN ACCORDANCE WITH ASTM E119, APPLIED TO THE UNDERSIDE OF THE CEILING ASSEMBLY, INCLUDING ASSEMBLES USING THE GYPSUM PANEL AND SHEATHING PRODUCTS LISTED IN THE GYPSUM ASSOCIATION FIRE RESISTANCE DESIGN MANUAL.
  - PORCH CEILING ASSEMBLIES WITH A HORIZONTAL UNDERSIDE THAT MEET THE PERFORMANCE CRITERIA IN SECTION 707A.11 WHEN TESTED IN ACCORDANCE WITH THE TEST PROCEDURES SET FORTH IN SFM STANDARD 12-7A-3
  - PORCH CEILING ASSEMBLIES WITH A HORIZONTAL UNDERSIDE THAT MEET THE PERFORMANCE CRITERIA IN ACCORDANCE WITH THE TEST PROCEDURES SET FORTH IN SFM STANDARD 12-7A-3
- 707A.8 FLOOR PROJECTIONS. THE EXPOSED UNDERSIDE OF A CANTILEVER FLOOR PROJECTION WHERE A FLOOR ASSEMBLY EXTENDS OVER AN EXTERIOR WALL SHALL BE PROTECTED BY ON OF THE FOLLOWING:
  - NONCOMBUSTIBLE MATERIAL
  - IGNITION- RESISTANT MATERIAL. THE IGNITION-RESISTANT MATERIAL SHALL BE LABELED FOR EXTERIOR USE AND SHALL MEET THE REQUIREMENTS OF SECTION 704A.2
  - FIRE-RETARDANT-TREATED-WOOD. THE FIRE-RETARDANT TREATED WOOD SHALL BE LABELED FOR EXTERIOR USE AND SHALL MEET THE REQUIREMENTS OF SECTION 2303.2
  - MATERIALS APPROVED FOR NOT LESS THAN 1-HOUR FIRE-RESISTANCE-RATED CONSTRUCTION ON THE EXTERIOR SIDE, AS TESTED IN ACCORDANCE WITH ASTM E119 OR UL 263
  - ONE LAYER OF  $\frac{5}{8}$ " TYPE X GYPSUM SHEATHING APPLIED BEHIND AND EXTERIOR COVERING ON THE UNDERSIDE OF THE CEILING
  - THE EXTERIOR PORTION A 1- HOUR FIRE RESISTIVE EXTERIOR ASSEMBLY, AS TESTED IN ACCORDANCE WITH ASTM E119, APPLIED TO THE UNDERSIDE OF THE CEILING ASSEMBLY, INCLUDING ASSEMBLES USING THE GYPSUM PANEL AND SHEATHING PRODUCTS LISTED IN THE GYPSUM ASSOCIATION FIRE RESISTANCE DESIGN MANUAL.
  - THE UNDERSIDE OF A FLOOR PROJECTIONS ASSEMBLY THAT MEETS THE PERFORMANCE CRITERIA IN SECTION 707A.10 WHEN TESTED IN ACCORDANCE WITH THE TEST PROCEDURES SET FORTH IN ASTM E2957.
  - THE UNDERSIDE OF A FLOOR PROJECTIONS ASSEMBLY THAT MEETS THE PERFORMANCE CRITERIA IN ACCORDANCE WITH THE TEST PROCEDURES SET FORTH IN THE SFM STD 12-7A-3.
- 707A.9 UNDERFLOOR PROTECTION. THE UNDERFLOOR AREA OF ELEVATED OR OVERHANGING BUILDINGS SHALL BE ENCLOSED TO GRADE IN ACCORDANCE WITH THE REQUIREMENTS OF THIS CHAPTER OR THE UNDERSIDE OF THE EXPOSED UNDERFLOOR SHALL BE PROTECTED BY ONE OR MORE OF THE FOLLOWING:
  - NONCOMBUSTIBLE MATERIAL
  - IGNITION- RESISTANT MATERIAL. THE IGNITION-RESISTANT MATERIAL SHALL BE LABELED FOR EXTERIOR USE AND SHALL MEET THE REQUIREMENTS OF SECTION 704A.2
  - FIRE-RETARDANT-TREATED-WOOD. THE FIRE-RETARDANT TREATED WOOD SHALL BE LABELED FOR EXTERIOR USE AND SHALL MEET THE REQUIREMENTS OF SECTION 2303.2
  - MATERIALS APPROVED FOR NOT LESS THAN 1-HOUR FIRE-RESISTANCE-RATED CONSTRUCTION ON THE EXTERIOR SIDE, AS TESTED IN ACCORDANCE WITH ASTM E119 OR UL 263
  - ONE LAYER OF  $\frac{5}{8}$ " TYPE X GYPSUM SHEATHING APPLIED BEHIND AND EXTERIOR COVERING ON THE UNDERSIDE OF THE FLOOR PROJECTION
  - THE EXTERIOR PORTION A 1- HOUR FIRE RESISTIVE EXTERIOR ASSEMBLY, AS TESTED IN ACCORDANCE WITH ASTM E119 OR UL 263, APPLIED TO THE UNDERSIDE OF THE FLOOR, INCLUDING ASSEMBLES USING THE GYPSUM PANEL AND SHEATHING PRODUCTS LISTED IN THE GYPSUM ASSOCIATION FIRE RESISTANCE DESIGN MANUAL.
  - THE UNDERSIDE OF A FLOOR ASSEMBLY THAT MEETS THE PERFORMANCE CRITERIA IN SECTION 707A.11 WHEN TESTED IN ACCORDANCE WITH THE TEST PROCEDURES SET FORTH IN ASTM E2957.
  - THE UNDERSIDE OF A FLOOR ASSEMBLY THAT MEETS THE PERFORMANCE CRITERIA IN ACCORDANCE WITH THE TEST PROCEDURES SET FORTH IN SFM STANDARD 12-7A-3.

- 707A.9 UNDERSIDE OF APPENDAGES. WHEN REQUIRED BY THE ENFORCING AGENCY THE UNDERSIDE OF OVERHANGING APPENDAGES SHALL BE ENCLOSED TO GRADE IN ACCORDANCE WITH THE REQUIREMENTS OF THIS CHAPTER OR THE UNDERSIDE OF THE EXPOSED UNDER FLOOR SHALL CONSIST OF ONE OF THE FOLLOWING:
  - NONCOMBUSTIBLE MATERIAL
  - IGNITION- RESISTANT MATERIAL. THE IGNITION-RESISTANT MATERIAL SHALL BE LABELED FOR EXTERIOR USE AND SHALL MEET THE REQUIREMENTS OF SECTION 704A.2
  - FIRE-RETARDANT-TREATED-WOOD. THE FIRE-RETARDANT TREATED WOOD SHALL BE LABELED FOR EXTERIOR USE AND SHALL MEET THE REQUIREMENTS OF SECTION 2303.2
  - MATERIALS APPROVED FOR NOT LESS THAN 1-HOUR FIRE-RESISTANCE-RATED CONSTRUCTION ON THE EXTERIOR SIDE, AS TESTED IN ACCORDANCE WITH ASTM E119 OR UL 263
  - ONE LAYER OF  $\frac{5}{8}$ " TYPE X GYPSUM SHEATHING APPLIED BEHIND THE EXTERIOR COVERING ON THE UNDERSIDE OF THE APPENDAGE PROJECTION
  - THE EXTERIOR PORTION A 1- HOUR FIRE RESISTIVE EXTERIOR ASSEMBLY, AS TESTED IN ACCORDANCE WITH ASTM E119 OR UL 263, APPLIED TO THE UNDERSIDE OF THE APPENDAGE, INCLUDING ASSEMBLES USING THE GYPSUM PANEL AND SHEATHING PRODUCTS LISTED IN THE GYPSUM ASSOCIATION FIRE RESISTANCE DESIGN MANUAL.
  - THE UNDERSIDE OF AN APPENDAGE ASSEMBLY THAT MEETS THE PERFORMANCE CRITERIA IN SECTION 707A.11 WHEN TESTED IN ACCORDANCE WITH THE TEST PROCEDURES SET FORTH IN SFM STANDARD 12-7A-3
  - THE UNDERSIDE OF AN APPENDAGE ASSEMBLY THAT MEETS THE PERFORMANCE CRITERIA IN ACCORDANCE WITH THE TEST PROCEDURES SET FORTH IN SFM STANDARD 12-7A-3
- 708A.2 EXTERIOR GLAZING. THE FOLLOWING EXTERIOR GLAZING MATERIALS AND/OR ASSEMBLIES SHALL COMPLY WITH THIS SECTION:
  - EXTERIOR WINDOWS
  - EXTERIOR GLAZED DOORS
  - GLAZED OPENINGS WITHIN EXTERIOR DOORS
  - GLAZED OPENINGS WITHIN EXTERIOR GARAGE DOORS
  - EXTERIOR STRUCTURAL GLASS VENEERS
  - SKYLIGHTS
  - VENTS
- 708A.2.1 EXTERIOR WINDOWS AND EXTERIOR GLAZED DOOR ASSEMBLY REQUIREMENTS:
  - BE CONSTRUCTED OF MULTI-PANE GLAZING WITH A MINIMUM OF ONE TEMPERED PANE MEETING THE REQUIREMENTS OF SECTION 2406 SAFETY GLAZING, OR
  - BE CONSTRUCTED OF GLASS BLOCK UNITS, OR
  - HAVE A FIRE-RESISTANT RATING OF NOT LESS THAN 20 MINUTES WHEN TESTED IN ACCORDANCE TO NFPA 257, OR
  - BE TESTED TO MEET THE PERFORMANCE REQUIREMENTS OF SFM STANDARD 12-7A-2.
- 708A.3 EXTERIOR DOORS. EXTERIOR DOORS SHALL COMPLY WITH ONE OF THE FOLLOWING:
  - THE EXTERIOR SURFACE OR CLADDING SHALL BE OF NON-COMBUSTIBLE OR IGNITION-RESISTANT MATERIAL
  - THE EXTERIOR SURFACE OR CLADDING SHALL BE IGNITION RESISTANT MATERIAL
  - THE EXTERIOR DOOR SHALL BE CONSTRUCTED OF SOLID CORE WOOD THAT COMPLY WITH THE FOLLOWING REQUIREMENTS:
    - STILES AND RAILS SHALL NOT BE LESS THAN 1-3/8" THICK.
    - RAISED PANELS SHALL NOT BE LESS THAN 1-1/4" THICK. EXCEPT FOR THE EXTERIOR PERIMETER OF THE PANEL THAT SHALL BE PERMITTED TO TAPER TO A TONGUE NOT LESS THAN  $\frac{3}{8}$ " THICK.
    - THE EXTERIOR DOOR SHALL HAVE A FIRE-RESISTANCE RATING OF NOT LESS THAN 20 MINUTES WHEN TESTED ACCORDING TO THE NFPA 252.
    - THE EXTERIOR SURFACE OR CLADDING SHALL BE TESTED TO MEET THE PERFORMANCE IN SECTION 707A.3.1 WHEN TESTED IN ACCORDANCE WITH ASTM E2707.
    - THE EXTERIOR SURFACE OR CLADDING SHALL BE TESTED TO MEET THE PERFORMANCE REQUIREMENTS OF SFM STANDARD 12-7A-1.
- 708A.3.1 EXTERIOR DOOR GLAZING. GLAZING IN EXTERIOR DOORS SHALL COMPLY WITH SECTION 708A2.1.

FIRE SPRINKLER NOTES

- IF FIRE SPRINKLERS ARE REQUIRED AT PROPOSED ADU THEN THE FOLLOWING NOTES APPLY .
- AUTOMATIC FIRE SPRINKLER SYSTEM - AN AUTOMATIC FIRE SPRINKLER SYSTEM SHALL BE INSTALLED AS PER NFPA 13D THE MOST CURRENT EDITION. DETAILED SPRINKLER PLANS SHALL BE SUBMITTED TO THE FIRE PREVENTION BUREAU AND APPROVED PRIOR TO INSTALLATION. PLANS AND INSTALLATION MUST BE BY A C16 LICENSED SPRINKLER CONTRACTOR.
- SECTION 903.2.1 GROUP R AN AUTOMATIC SPRINKLER SYSTEM INSTALLED IN ACCORDANCE WITH SECTION 903.3 SHALL BE PROVIDED THROUGHOUT ALL BUILDINGS WITH A GROUP R FIRE AREA. THIS INCLUDES SINGLE FAMILY DWELLINGS, MULTI-FAMILY DWELLINGS AND ALL RESIDENTIAL CARE FACILITIES REGARDLESS OF OCCUPANT LOAD.
- SECTION 903.2.1.1 ADDITIONS AN AUTOMATIC SPRINKLER SYSTEM INSTALLED IN ACCORDANCE WITH 903.3 MAY BE REQUIRED TO BE INSTALLED THROUGHOUT STRUCTURES WHEN THE ADDITION IS MORE THAN 50% OF THE EXISTING BUILDING OR WHEN THE ALTERED BUILDING WILL EXCEED A FIRE FLOW OF 1,500 GALLONS PER MINUTE AS CALCULATED PER SECTION 507.3. THE FIRE CODE OFFICIAL MAY REQUIRE AN AUTOMATIC SPRINKLER SYSTEM BE INSTALLED IN BUILDINGS WHERE NO WATER MAIN EXISTS TO PROVIDE THE REQUIRED FIRE FLOW OR WHERE A SPECIAL HAZARD EXISTS SUCH AS: POOR ACCESS ROADS, GRADE, BLUFFS AND CANYON RIMS, HAZARDOUS BRUSH AND RESPONSE TIMES GREATER THAN 5 MINUTES BY A FIRE DEPARTMENT.
- SECTION 903.2.1.2 REMODELS OR RECONSTRUCTION AN AUTOMATIC SPRINKLER SYSTEM INSTALLED IN ACCORDANCE WITH SECTION 903.3 MAY BE REQUIRED IF THE SCOPE OF WORK INCLUDES SIGNIFICANT MODIFICATION TO THE INTERIOR AND/OR ROOF OF THE BUILDING, AND THE COST OF THE INSTALLATION DOES NOT EXCEED 15 PERCENT OF THE CONSTRUCTION COSTS OF THE REMODEL.
- LOCATION AND SIZE OF WATER SERVICE UNDERGROUND SHALL BE INSTALLED AS SHOWN ON APPROVED FIRE SPRINKLER PLANS. A MINIMUM 1 INCH WATER SHALL BE INSTALLED.
- A FIRE UNDERGROUND FLUSH CERTIFICATION SHALL BE REQUIRED AT FINAL INSPECTION.
- A HYDRO INSPECTION OF THE FIRE SPRINKLER SYSTEM IS REQUIRED PRIOR TO FRAME INSPECTION. ONLY THE NEW PIPING SHALL BE TESTED.

ABBREVIATIONS

ADU	ACCESSORY DWELLING UNIT
AFF	ABOVE FINISH FLOOR
AMP	AMPERE
AWG	AMERICAN WIRE GAUGE
BMP	BEST MANAGEMENT PRACTICE
BM	BEAM
BN	BOUNDARY NAILING
BTMM	BOTTOM
C	COUNTER
CALC	CALCULATION
CFH	CUBIC FEET PER HOUR
CFM	CUBIC FEET PER MINUTE
CONC	CONCRETE
CONT	CONTINUOUS
DBL	DOUBLE
DIA	DIAMETER
DTP	DOUBLE TOP PLATE
DW	DISH WASHER
EQ	EQUAL
FFE	FINISH FLOOR ELEVATION
FIN	FINISH
FR	FIRE RATED
GAL	GALLON
GD	GARBAGE DISPOSAL
GFI	GROUND-FAULT CIRCUIT INTERRUPTER
GI	GALVANIZED IRON
GL	GLASS
GPM	GALLON PER MINUTE
GYP	GYPSUM
HLW	HALLOW
HGT	HEIGHT
HDR	HEADER
HDU	HDLOWN INSTALLATION
LVL	LEVEL
MIN	MINIMUM
OAE	OR APPROVED EQUIVALENT
OC	ON CENTER
OPER	OPERATION
O	OVEN
OSB	ORIENTED STRAND BOARD
PSI	POUNDS PER SQUARE INCH
PSL	PARALLEL-STRAND LUMBER
PT	POST TENTION
QNTY	QUANTITY
REQ	REQUIRED
REF	REFRIGERATOR
REINF	REINFORCED
SDS	SAFETY DATA SHEET
SIM	SIMILAR
SF	SQUARE FOOTAGE
SHT	SHEET
T	TEMPERED
THICK	THICKNESS
TYP	TYPICAL
UNO	UNLESS NOTED OTHERWISE
VB	TYPE 5 B CONSTRUCTION
WD	WASHER AND DRYER
WD	WOOD
WH	WATER HEATER
WR	WEATHER RESISTANT
V	VOLT

BY USING THESE PERMIT READY CONSTRUCTION DOCUMENTS, THE RECIPIENT ACKNOWLEDGES, ACCEPTS AND VOLUNTARILY AFFIRMS THE FOLLOWING CONDITIONS:  
1. THE USE OF THIS INFORMATION IS RESTRICTED TO THE ORIGINAL PROJECT FOR WHICH IT WAS PREPARED FOR THE PERMIT READY ACCESSORY DWELLING UNIT (ADU) PROGRAM FOR THE CITY OF CARLSBAD ONLY. THIS IS A LIMITED SET OF STANDARDIZED ADU PLANS AND SPECIFICATIONS APPROVED BY THE CITY OF CARLSBAD BUILDING DEPARTMENT. BUILDING CODES DO CHANGE OVER TIME AND RECIPIENT SHALL ENSURE FULL COMPLIANCE UNDER ALL CODES THEN IN EFFECT AT THE TIME OF THE SUBJECT PERMIT. THIS DOES NOT ELIMINATE OR REDUCE THE RECIPIENT'S RESPONSIBILITY TO VERIFY ANY AND ALL INFORMATION RELEVANT TO THE RECIPIENT'S WORK AND RESPONSIBILITY ON THIS PROJECT. DESIGN PATH STUDIO SHALL NOT BE RESPONSIBLE FOR TRANSLATION ERRORS. DO NOT USE THESE CONSTRUCTION DOCUMENTS IF THE PERMIT HAS EXPIRED OR IS REVOKED AT ALL.  
2. THE RECIPIENT RECOGNIZES AND ACKNOWLEDGES THAT THE USE OF THIS INFORMATION WILL BE AT THEIR SOLE RISK AND WITHOUT ANY LIABILITY OR LEGAL EXPOSURE TO DESIGN PATH STUDIO. NO WARRANTIES OF ANY NATURE, WHETHER EXPRESS OR IMPLIED, SHALL ATTACH TO THESE DOCUMENTS AND THE INFORMATION CONTAINED THEREON. ANY USE, REUSE, OR ALTERATION OF THESE DOCUMENTS BY THE RECIPIENT OR BY OTHERS WILL BE AT THE RECIPIENT'S RISK AND FULL LEGAL RESPONSIBILITY. FURTHERMORE, THE RECIPIENT WILL, TO THE FULLEST EXTENT PERMITTED BY LAW, DEFEND, INDEMNIFY AND HOLD DESIGN PATH STUDIO AND ITS ARCHITECTS HARMLESS FROM ANY AND ALL CLAIMS, SUITS, LIABILITY, DEMANDS, JUDGMENTS, OR COSTS ARISING OUT OF OR RESULTING THERE FROM ANY USE OF THESE CONSTRUCTION DOCUMENTS FOR OR ON ACCOUNT OF ANY INJURY, DEATH, DAMAGE OR LOSS TO PERSONS OR PROPERTY, DIRECT OR CONSEQUENTIAL DAMAGES IN ANY AMOUNT, THIS INDEMNITY DOES NOT APPLY TO THE SOLE NEGLIGENCE OR WILLFUL MISCONDUCT OF DESIGN PATH STUDIO OR ITS ARCHITECTS.  
3. THE DESIGNS REPRESENTED BY THESE PLANS ARE COPYRIGHTED AND ARE SUBJECT TO COPYRIGHT PROTECTION.  
4. IF THE RECIPIENT DOES NOT AGREE WITH THE ABOVE CONDITIONS, DO NOT PROCEED WITH CONSTRUCTION OF AN ADU OR OTHER IMPROVEMENT UNDER THESE PLANS AT ALL.

project

City of Carlsbad  
Pre-Approved ADU  
Program

revisions

- △
- △
- △
- △
- △

description

High and Very  
High Fire  
Severity Zone  
Notes

date 05 May 2023

project no. 2022\_Carlsbad\_ADU

drawn by Design Path Studio

sheet no.

G0.3



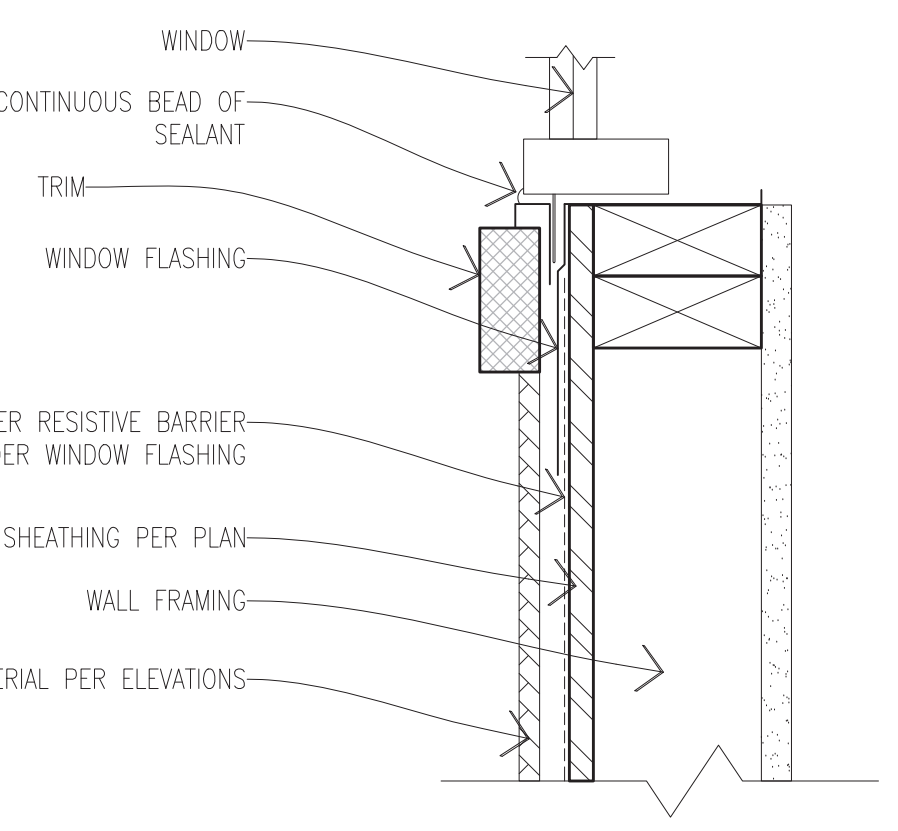
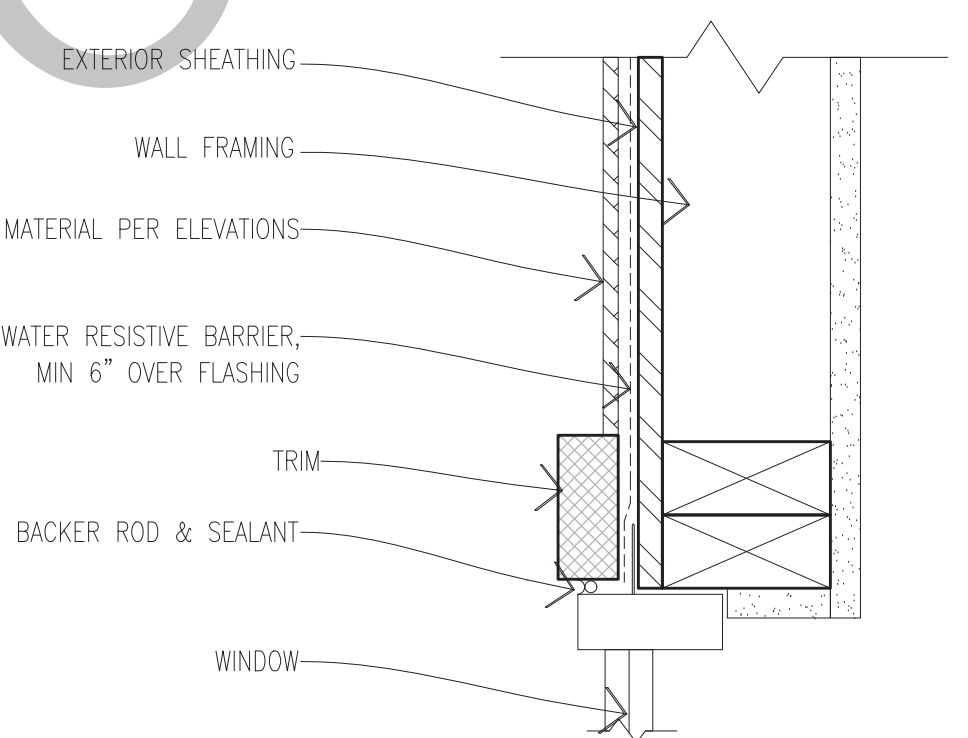
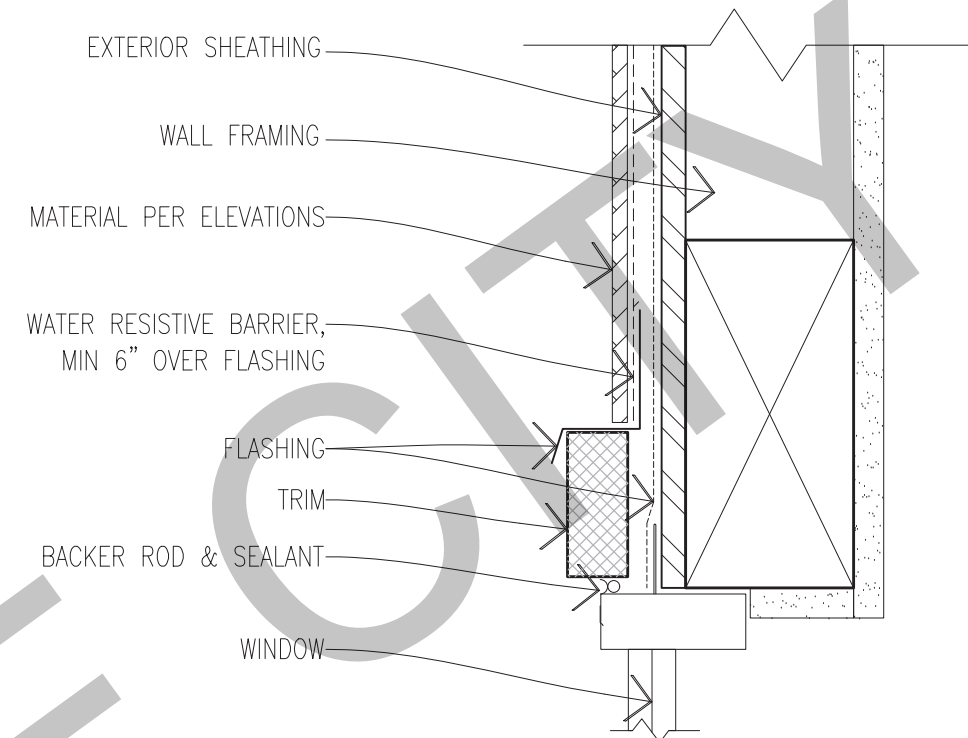
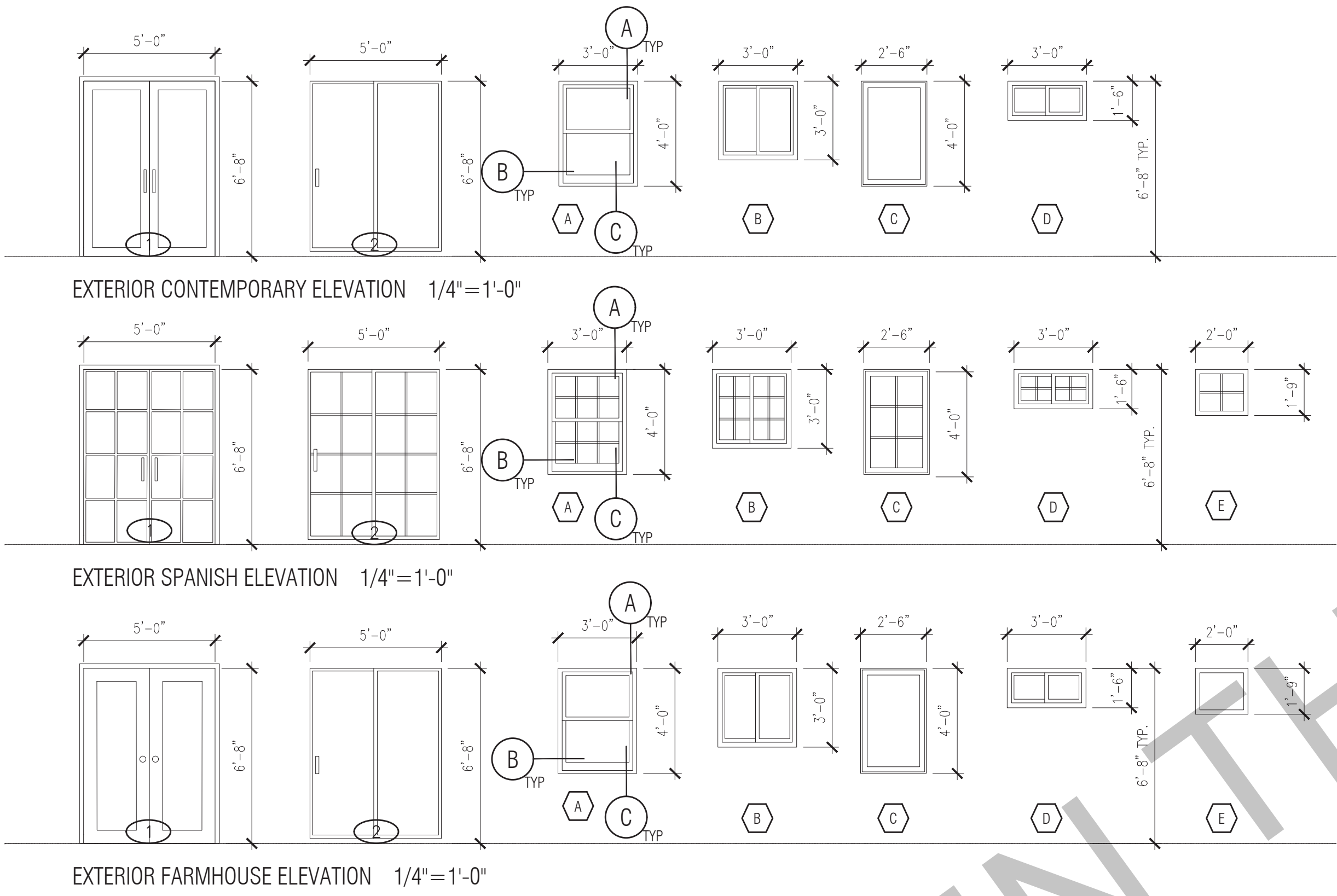
WINDOW SCHEDULE								REFER TO NOTES ON SHEET G0.3	DOOR SCHEDULE								REFER TO NOTES ON SHEET G0.3			
WINDOW	WINDOW SIZE		OPER.	QNTY	FRAME	HEAD HEIGHT	LOCATION	REMARKS	FIRE RATING (WHEN REQ'D)	DOOR	DOOR TYPE	DOOR SIZE			CORE	MATERIAL	FRAME	LOCATION	REMARKS	FIRE RATING (WHEN REQ'D)
	WIDTH	HEIGHT										WIDTH	HEIGHT	THICK.						
A	3'-0"	4'-0"	SINGLE HUNG	1	VINYL	6'-8"	FRONT		NOTE 15 & 16	1	FRENCH DOOR	5'-0"	6'-8"	1-3/4"	GL	VNL/GLASS	VINYL	FRONT ENTRY	TEMPERED	NOTE 15,16,17,18
B	3'-0"	3'-0"	SLIDER	1	VINYL	6'-8"	KITCHEN		NOTE 15 & 16	2	SLIDING DOOR	5'-0"	6'-8"	1-3/4"	GL	VNL/GLASS	VINYL	SIDE ENTRY	TEMPERED	NOTE 15,16,17,18
C	2'-6"	4'-0"	CASEMENT	1	VINYL	6'-8"	HALL		NOTE 15 & 16	3	CLOSET DOORS	3'-6"	6'-8"	1-3/4"	HLW	WOOD	WD	CLOSET		
D	3'-0"	1'-6"	SLIDER	1	VINYL	6'-8"	BATHROOM		NOTE 15 & 16	4	SINGLE DOOR	2'-0"	6'-8"	1-3/4"	HLW	WOOD	WD	WATER HEATER CLOSET	LOUVERED	
E	2'-0"	1'-9"	AWNING	3	VINYL	10'-11"	CLERESTORY (FARMHOUSE)		NOTE 15 & 16	5	SINGLE DOOR	3'-0"	6'-8"	1-3/4"	HLW	WOOD	WD	BATHROOM		
E	2'-0"	1'-9"	AWNING	3	VINYL	10'-0"	CLERESTORY (SPANISH)		NOTE 15 & 16											

**WINDOW NOTES**

- SEE EXTERIOR ELEVATION FOR DIRECTION OF OPERATION OF WINDOWS (ALL OPERABLE WINDOWS TO HAVE SCREENS).
- ALL WINDOW DIMENSIONS PERTAIN TO ROUGH OPENINGS (R.O.), CONTRACTOR TO FIELD VERIFY ACTUAL DIMENSIONS FOR WINDOWS
- ALL GLAZING WILL BE INSTALLED WITH A CERTIFYING LABEL ATTACHED, SHOWING THE NFRC LABEL.
- ALL GLAZING SHALL BE SPECTRALLY SELECTIVE LOW E COATED TO MEET TITLE 24 ENERGY REQUIREMENTS.
- WINDOWS SHALL MEET THE MINIMUM INFILTRATION REQUIREMENTS PER SECTION 116 E.E.S.D
- VENTILATION SHALL COMPLY WITH C.B.C. 1203.4 AND R303
- EVERY SLEEPING ROOM SHALL HAVE ONE OPERABLE WINDOW FOR EMERGENCY ESCAPE OR RESCUE WITH A MIN. NET CLEAR OPENABLE AREA OF 5.7 SQ. FT. MIN. NET CLEAR OPENABLE HEIGHT OF 24" MIN., NET CLEAR WIDTH OF 20" AND A FIN. SILL HEIGHT OF NOT MORE THAN 44" A.F.F. PER CRC SECTION 3101
- TEMPERED GLASS SHALL BE PERMANENTLY IDENTIFIED AND VISIBLE WHEN THE UNIT IS GLAZED.
- EVERY SPACE INTENDED FOR HUMAN OCCUPANCY SHALL BE PROVIDED WITH NATURAL VENTILATION AND NATURAL LIGHT BY MEANS OF VENTILATION / ARTIFICIAL LIGHT. CBC SECTIONS 1203.4 AND 1205.1 AND R303
- A) THE MINIMUM NET GLAZED AREA FOR NATURAL LIGHT SHALL NOT BE LESS THAN 8% OF THE FLOOR AREA OF THE ROOM SERVED. CBC SECTION 1205.2
- B) THE MINIMUM OPENABLE AREA TO THE OUTDOORS FOR NATURAL VENTILATION SHALL BE 4% OF THE FLOOR AREA BEING VENTILATED. SECTION 1203.4
- EXTERIOR WINDOWS, WINDOW WALLS, GLAZED DOORS, AND GLAZED OPENINGS WITHIN EXTERIOR DOORS SHALL BE INSULATING-GLASS UNITS WITH A MINIMUM OF ONE TEMPERED PANE
- FIRE-RESISTANCE RATED GLAZING TESTED AS PART OF A FIRE-RESISTANCE-RATED WALL ASSEMBLY IN ACCORDANCE WITH ASTM E 119 OR UL 263 TO BE CONSTRUCTED OF MULTIPANE GLAZING WITH A MINIMUM OF ONE TEMPERED PANE MEETING THE REQUIREMENT OF SECTION 2406, CONSTRUCTED OF GLASS BLOCK UNITS, OR HAVE A FIRE-RESISTIVE RATING OF NOT LESS THAN 20 MINUTES WHEN TESTED ACCORDING TO NFPA 257.

**DOOR NOTES**

- ALL GLASS IN DOORS SHALL BE TEMPERED. TEMPERED GLASS SHALL BE PERMANENTLY IDENTIFIED AND VISIBLE WHEN THE UNIT IS GLAZED.
- ALL GLAZING WILL BE INSTALLED WITH A CERTIFYING LABEL ATTACHED, SHOWING THE "U" VALUE.
- REFER TO FLOOR PLANS FOR DIRECTION OF DOOR SWING.
- DOORS SHALL MEET THE MINIMUM INFILTRATION REQUIREMENTS PER SECTION 116 E.E.S.
- VENTILATION SHALL COMPLY WITH C.B.C. 1203.4 AND R303.
- DOORS MAY OPEN TO THE EXTERIOR ONLY IF THE FLOOR OR LANDING IS NOT MORE THAN 1/2" LOWER THAN THE DOOR THRESHOLD. SECTION R113.1 CRC
- GLAZED OPENINGS WITHIN EXTERIOR DOORS SHALL BE INSULATING-GLASS UNITS WITH A MINIMUM OF ONE TEMPERED PANE.
- EXTERIOR DOOR ASSEMBLIES SHALL CONFORM TO THE PERFORMANCE REQUIREMENTS OF STANDARD SFM 12-7A-1 OR SHALL BE OF APPROVED NONCOMBUSTIBLE CONSTRUCTION OR IGNITION-RESISTANT MATERIAL, OR SOLID CORE WOOD HAVING STILES AND RAILS NOT LESS THAN 1 3/8 INCHES THICK WITH INTERIOR FIELD PANEL THICKNESS NO LESS THAN 1 1/4 INCHES THICK, OR SHALL HAVE A FIRE-RESISTANCE RATING OF NOT LESS THAN 20 MINUTES WHEN TESTED ACCORDING TO NFPA 257.

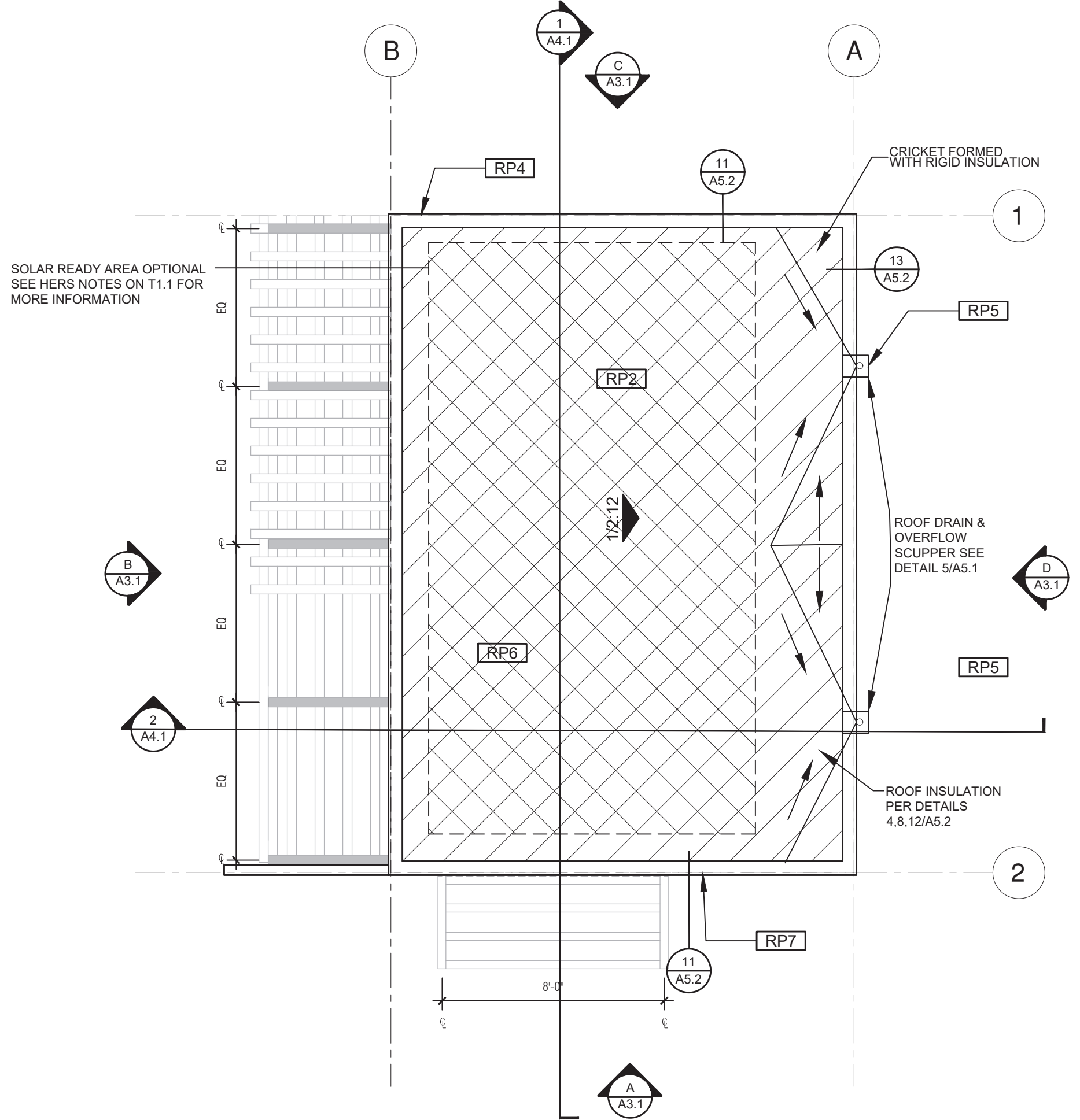


**WINDOW DETAILS**  
SCALE: 3"=1'-0"

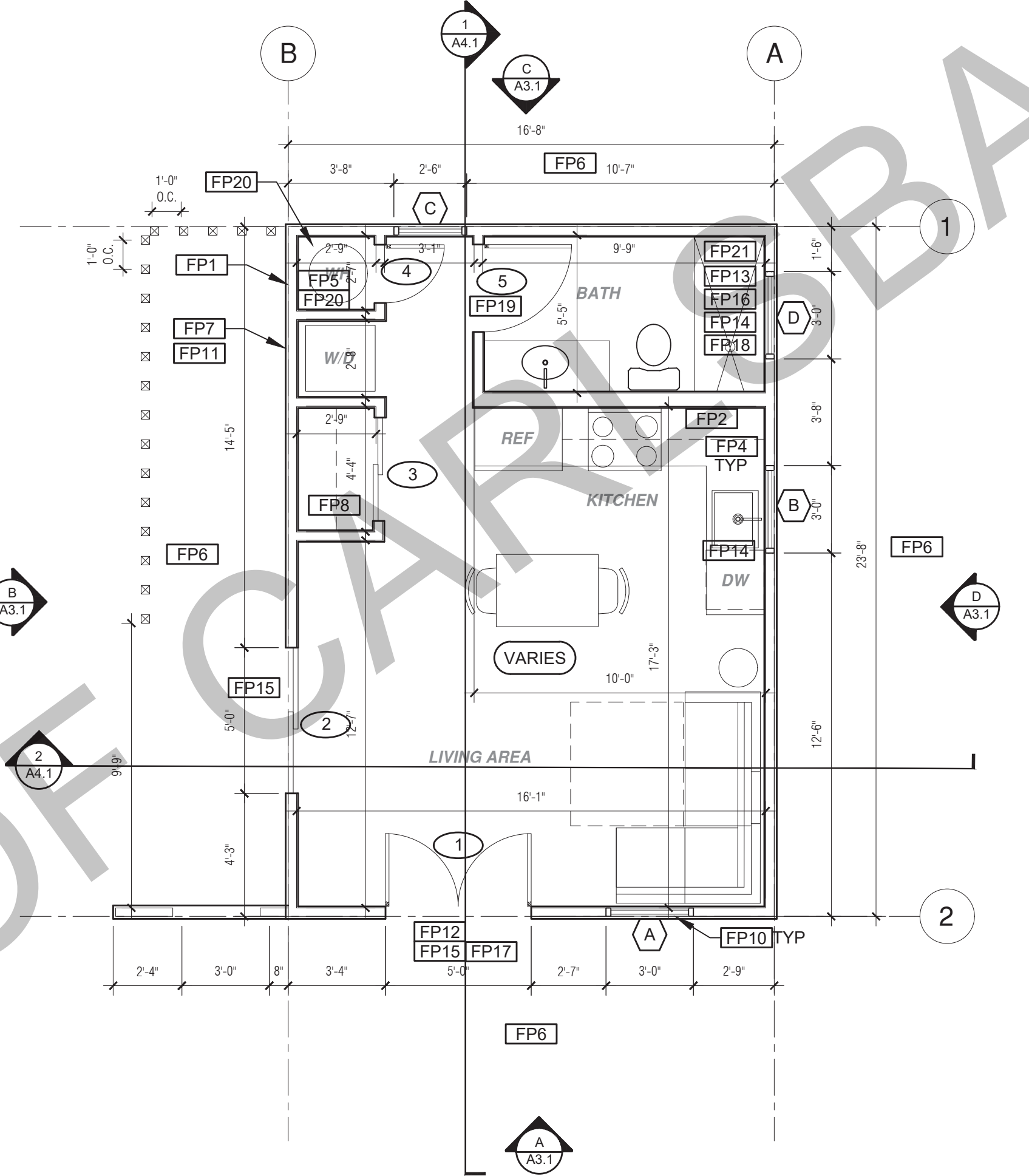
BY USING THESE PERMIT READY CONSTRUCTION DOCUMENTS, THE RECIPIENT ACKNOWLEDGES, ACCEPTS AND VOLUNTARILY AFFIRMS THE FOLLOWING CONDITIONS:

- THE USE OF THIS INFORMATION IS RESTRICTED TO THE ORIGINAL PROJECT FOR WHICH IT WAS PREPARED FOR THE PERMIT READY ACCESSORY DWELLING UNIT (ADU) PROGRAM FOR THE CITY OF CARLSBAD ONLY. THIS IS A LIMITED SET OF STANDARDIZED ADU PLANS AND SPECIFICATIONS APPROVED BY THE CITY OF CARLSBAD BUILDING DEPARTMENT. BUILDING CODES DO CHANGE OVER TIME AND RECIPIENT SHALL ENSURE FULL COMPLIANCE UNDER ALL CODES THEN IN EFFECT AT THE TIME OF THE SUBJECT PERMIT. THIS DOES NOT ELIMINATE OR REDUCE THE RECIPIENT'S RESPONSIBILITY TO VERIFY ANY AND ALL INFORMATION RELEVANT TO THE RECIPIENT'S WORK AND RESPONSIBILITY ON THIS PROJECT. DESIGN PATH STUDIO SHALL NOT BE RESPONSIBLE FOR TRANSLATION ERRORS. DO NOT USE THESE CONSTRUCTION DOCUMENTS IF THE PERMIT HAS EXPIRED OR IS REVOKED AT ALL.
- THE RECIPIENT RECOGNIZES AND ACKNOWLEDGES THAT THE USE OF THIS INFORMATION WILL BE AT THEIR SOLE RISK AND WITHOUT ANY LIABILITY OR LEGAL EXPOSURE TO DESIGN PATH STUDIO. NO WARRANTIES OF ANY NATURE, WHETHER EXPRESS OR IMPLIED, SHALL ATTACH TO THESE DOCUMENTS AND THE INFORMATION CONTAINED THEREON. ANY USE, REUSE, OR ALTERATION OF THESE DOCUMENTS BY THE RECIPIENT OR BY OTHERS WILL BE AT THE RECIPIENT'S RISK AND FULL LEGAL RESPONSIBILITY. FURTHERMORE, THE RECIPIENT WILL, TO THE FULLEST EXTENT PERMITTED BY LAW, DEFEND, INDEMNIFY AND HOLD DESIGN PATH STUDIO AND ITS ARCHITECTS HARMLESS FROM ANY AND ALL CLAIMS, SUITS, LIABILITY, DEMANDS, JUDGMENTS, OR COSTS ARISING OUT OF OR RESULTING THERE FROM ANY USE OF THESE CONSTRUCTION DOCUMENTS FOR OR ON ACCOUNT OF ANY INJURY, DEATH, DAMAGE OR LOSS TO PERSONS OR PROPERTY, DIRECT OR CONSEQUENTIAL DAMAGES IN ANY AMOUNT. THIS INDEMNITY DOES NOT APPLY TO THE SOLE NEGLIGENCE OR WILLFUL MISCONDUCT OF DESIGN PATH STUDIO OR ITS ARCHITECTS.
- THE DESIGNS REPRESENTED BY THESE PLANS ARE COPYRIGHTED AND ARE SUBJECT TO COPYRIGHT PROTECTION.
- IF THE RECIPIENT DOES NOT AGREE WITH THE ABOVE CONDITIONS, DO NOT PROCEED WITH CONSTRUCTION OF AN ADU OR OTHER IMPROVEMENT UNDER THESE PLANS AT ALL.





**ROOF PLAN**  
1/4"=1'-0" 400 SQ. FT. CONTEMPORARY



**FLOOR PLAN**  
1/4"=1'-0" 400 SQ. FT. CONTEMPORARY

BY USING THESE PERMIT READY CONSTRUCTION DOCUMENTS, THE RECIPIENT ACKNOWLEDGES, ACCEPTS AND VOLUNTARILY AFFIRMS THE FOLLOWING CONDITIONS:  
1. THE USE OF THIS INFORMATION IS RESTRICTED TO THE ORIGINAL PROJECT FOR WHICH IT WAS PREPARED FOR THE PERMIT READY ACCESSORY DWELLING UNIT (ADU) PROGRAM FOR THE CITY OF CARLSBAD ONLY. THIS IS A LIMITED SET OF STANDARDIZED ADU PLANS AND SPECIFICATIONS APPROVED BY THE CITY OF CARLSBAD BUILDING DEPARTMENT. BUILDING CODES DO CHANGE OVER TIME AND RECIPIENT SHALL ENSURE FULL COMPLIANCE UNDER ALL CODES THEN IN EFFECT AT THE TIME OF THE SUBJECT PERMIT. THIS DOES NOT ELIMINATE OR REDUCE THE RECIPIENT'S RESPONSIBILITY TO VERIFY ANY AND ALL INFORMATION RELEVANT TO THE RECIPIENT'S WORK AND RESPONSIBILITY ON THIS PROJECT. DESIGN PATH STUDIO SHALL NOT BE RESPONSIBLE FOR TRANSLATION ERRORS. DO NOT USE THESE CONSTRUCTION DOCUMENTS IF THE PERMIT HAS EXPIRED OR IS REVOKED AT ALL.  
2. THE RECIPIENT RECOGNIZES AND ACKNOWLEDGES THAT THE USE OF THIS INFORMATION WILL BE AT THEIR SOLE RISK AND WITHOUT ANY LIABILITY OR LEGAL EXPOSURE TO DESIGN PATH STUDIO. NO WARRANTIES OF ANY NATURE, WHETHER EXPRESS OR IMPLIED, SHALL ATTACH TO THESE DOCUMENTS AND THE INFORMATION CONTAINED THEREON. ANY USE, REUSE, OR ALTERATION OF THESE DOCUMENTS BY THE RECIPIENT OR BY OTHERS WILL BE AT THE RECIPIENT'S RISK AND FULL LEGAL RESPONSIBILITY. FURTHERMORE, THE RECIPIENT WILL, TO THE FULLEST EXTENT PERMITTED BY LAW, DEFEND, INDEMNIFY AND HOLD DESIGN PATH STUDIO AND ITS ARCHITECTS HARMLESS FROM ANY AND ALL CLAIMS, SUITS, LIABILITY, DEMANDS, JUDGMENTS, OR COSTS ARISING OUT OF OR RESULTING THEREFROM ANY USE OF THESE CONSTRUCTION DOCUMENTS FOR OR ON ACCOUNT OF ANY INJURY, DEATH, DAMAGE OR LOSS TO PERSONS OR PROPERTY, DIRECT OR CONSEQUENTIAL DAMAGES IN ANY AMOUNT. THIS INDEMNITY DOES NOT APPLY TO THE SOLE NEGLIGENCE OR WILLFUL MISCONDUCT OF DESIGN PATH STUDIO OR ITS ARCHITECTS.  
3. THE DESIGNS REPRESENTED BY THESE PLANS ARE COPYRIGHTED AND ARE SUBJECT TO COPYRIGHT PROTECTION.  
4. IF THE RECIPIENT DOES NOT AGREE WITH THE ABOVE CONDITIONS, DO NOT PROCEED WITH CONSTRUCTION OF AN ADU OR OTHER IMPROVEMENT UNDER THESE PLANS AT ALL.

ROOF KEYNOTES	FLOOR PLAN KEYNOTES	SOLAR/ENERGY STORAGE READY NOTES	LEGEND
<p><b>RP1</b> LINE OF ROOF OVERHANG</p> <p><b>RP2</b> CLASS A ROOFING MATERIAL. SEE GENERAL ROOF NOTE 13 ON SHEET G0.2</p> <p><b>RP3</b> SUPPORT POST BELOW</p> <p><b>RP4</b> LINE OF WALLS BELOW</p> <p><b>RP5</b> ROOF DOWNSPOUT LOCATION TO BE DETERMINED BY SITE SPECIFIC CONDITIONS</p> <p><b>RP6</b> DESIGNATED SOLAR PANEL AREA. PLEASE SEE SOLAR READY NOTES ON THIS SHEET</p> <p><b>RP7</b> RAFTER VENTS TO MEET REQUIRED VENTILATION AREA FOR ENCLOSED RAFTER SPACES. MAX 1/4", MIN 1/8" OPENING SIZE ON VENT SCREEN WITH CORROSION-RESISTANT WIRE SCREEN MATERIAL. 1 SF OF VENTING PER 150 SF OF ENCLOSED RAFTER AREA IN NON-FIRE RATED CONSTRUCTION PLEASE SEE VENTING CALCULATIONS ON THIS SHEET</p>	<p><b>FP1</b> STUD WALL SIZED PER STRUCTURAL</p> <p><b>FP2</b> 2X6 STUD WALL OR FURRING AS NEEDED FOR MECHANICAL / PLUMBING / VENTING</p> <p><b>FP3</b> LINE OF OVERHANG ABOVE</p> <p><b>FP4</b> 36" HIGH COUNTER</p> <p><b>FP5</b> WATER HEATER INSTALLED PER MANUFACTURER REQUIREMENTS</p> <p><b>FP6</b> SLOPE SURFACE AWAY FROM BUILDING</p> <p><b>FP7</b> DRYER VENT TERMINATION ON EXTERIOR WALL TO BE A MINIMUM OF 3 FT FROM ANY OPENING</p> <p><b>FP8</b> CLOSET SHELF AND POLE</p> <p><b>FP9</b> EMERGENCY EGRESS WINDOW</p> <p><b>FP10</b> WINDOW MUST HAVE A FRAME AND SASH COMPRISED OF WELDED CORNERS, METAL REINFORCEMENT IN THE INTERLOCK AREA, AND CONSTRUCTED OF MULTIPANE TEMPERED GLAZING WHERE INDICATED TYPICAL ALL WINDOWS</p> <p><b>FP11</b> VENT DRYER THROUGH WALL. SEE MECHANICAL / PLUMBING PLANS FOR FURTHER INFORMATION</p> <p><b>FP12</b> MIN. 1 HINGED ENTRY DOOR FOR EGRESS COMPLIANCE REQUIRED - THE EGRESS DOOR SHALL BE SIDE-HINGED AND SHALL PROVIDE A CLEAR WIDTH OF NOT LESS THAN 32 INCHES WHERE MEASURED BETWEEN THE FACE OF THE DOOR AND THE STOP, WITH THE DOOR OPEN 90°. THE CLEAR HEIGHT OF THE DOOR OPENING SHALL BE NOT LESS THAN 78 INCHES IN HEIGHT MEASURED FROM THE TOP OF THE THRESHOLD TO THE BOTTOM OF THE STOP</p> <p><b>FP13</b> SURROUND AROUND THE SHOWER MUST BE TEMPERED. GLAZING IN THE WALLS/DOORS FACING OR CONTAINING BATHTUBS, SHOWERS, HOT TUBS, SPAS, WHIRLPOOLS, SAUNAS, STEAM ROOMS AND INDOOR/OUTDOOR SWIMMING POOLS WHERE THE BOTTOM EXPOSED EDGE OF THE GLAZING IS LESS THAN 60" ABOVE THE STANDING SURFACE. EXCEPTION: GLAZING THAT IS MORE THAN 60" MEASURED HORIZONTALLY, FROM THE WATER'S EDGE OF A BATHTUB, HOT TUB, SPA, WHIRLPOOL OR SWIMMING POOL.</p> <p><b>FP14</b> PER SECTION 301.1.1 CALGREEN AND CIVIL CODE 1101.3(c). ALL PLUMBING FIXTURES SHALL BE COMPLIANT WATER-CONSERVING PLUMBING FIXTURES. SEE MECHANICAL / PLUMBING PLANS FOR FURTHER INFORMATION</p> <p><b>FP15</b> LANDING OR FLOOR REQUIRED AT EACH SIDE OF EXTERIOR DOOR. WIDTH TO BE NOT LESS THAN THE DOOR SERVED AND HAVE A MIN 36 INCH DEPTH MEASURED IN THE DIRECTION OF TRAVEL. EXTERIOR LANDINGS SHALL BE PERMITTED TO HAVE A SLOPE NOT TO EXCEED 1" PER FOOT. LANDINGS OR FINISHED FLOORS AT EGRESS DOOR SHALL NOT BE MORE THAN 1.5" LOWER THAN THE TOP OF THE THRESHOLD FOR OUTWARD SWINGING DOORS OR 7.75" FOR DOORS THAT DO NOT SWING OUTWARD.</p> <p><b>FP16</b> WALL COVERING SHALL BE CEMENT PLASTER, TILE OR APPROVED EQUAL TO 72" ABOVE DRAIN AT SHOWERS OR TUB WITH SHOWERS. MATERIALS OTHER THAN STRUCTURAL ELEMENTS ARE TO BE MOISTURE RESISTANT. CRC R307.2</p> <p><b>FP17</b> DOOR BELL BUTTON TO BE NO MORE THAN 48" ABOVE EXTERIOR FLOOR OR LANDING</p> <p><b>FP18</b> WATER CLOSET AND SHOWER TO HAVE REINFORCEMENT IN WALLS 2X8 NOMINAL AT 32" TO 36" ABOVE FINISH FLOOR. SEE FLOOR PLAN GENERAL NOTE #32 ON SHEET G0.2 FOR FURTHER INFORMATION</p> <p><b>FP19</b> DOOR TO HAVE A NET CLEAR OPENING OF 32"</p> <p><b>FP20</b> DESIGNATED 2'-6" x 2'-6" x 7' TALL MINIMUM AREA FOR FUTURE INSTALLATION OF A HEAT PUMP WATER HEATER PER CEC 2022 SECTION 150.0(n)</p> <p><b>FP21</b> FURRING AS NEEDED FOR STANDARD TUB AND SHOWER LENGTH</p>	<p>SOLAR READY ROOF AREA: MIN DIMENSION &gt; 5FT. MIN. SF &gt; 80SF. PER CALIFORNIA ENERGY CODE SECTION 110.10(b)</p> <p>THE SOLAR ZONE SHALL COMPLY WITH ACCESS, PATHWAY, SMOKE VENTILATION, AND SPACING REQUIREMENTS AS SPECIFIED IN TILE 24, PART 9 OR OTHER PARTS OF TITLE 24 OR IN ANY REQUIREMENTS ADOPTED BY LOCAL JURISDICTION</p> <p>SINGLE FAMILY RESIDENCE. THE SOLAR ZONE SHALL BE LOCATED ON THE ROOF OR OVERHANG OF THE BUILDING AND HAVE A TOTAL AREA OF NO LESS THAN 250SQFT.</p> <p>FOR PHOTOVOLTAIC ARRAYS OCCUPYING NOT MORE THAN 33 PERCENT OF THE PLAN VIEW TOTAL ROOF AREA, NOT LESS THAN AN 18-INCH (457 MM) CLEAR SETBACK IS REQUIRED ON BOTH SIDES OF A HORIZONTAL RIDGE. FOR PHOTOVOLTAIC ARRAYS OCCUPYING MORE THAN 33 PERCENT OF THE PLAN VIEW TOTAL ROOF AREA, NOT LESS THAN A 36-INCH (914 MM) CLEAR SETBACK IS REQUIRED ON BOTH SIDES OF A HORIZONTAL RIDGE.</p> <p>SOLAR READY AREA CAN INCLUDE EXISTING, ADEQUATELY SIZED, SOLAR SYSTEM ON THE EXISTING HOUSE.</p> <p>REFER TO SHEET G0.2 FOR ENERGY STORAGE SYSTEM REQUIREMENTS PER CALIFORNIA ENERGY CODE 2022 SECTION 150.0(g).</p> <p><b>VENTING CALCULATIONS</b></p> <p>ROOF VENTING: 1SF. OF ROOF VENTING PER 150 SF. OF ENCLOSED AREA OR ENCLOSED RAFTER AREA. ENCLOSED RAFTER AREA: N/A_SF. VENTILATION AREA REQUIRED: N/A_SF / 150SF = N/A_SF. CONVERT TO SQ. IN: N/A_SF x 144 = N/A_SF. MINIMUM VENTILATION AREA REQUIRED: N/A_SF.</p>	<p>SECTION CUT</p> <p>ELEVATION CALLOUT</p> <p>DETAIL DRAWING REF.</p> <p>WALL BELOW OR ROOF ABOVE</p> <p>SOLAR ZONE. REFER TO SOLAR NOTES ON SHEET G0.2 AND THIS SHEET</p> <p>ROOFING</p> <p>KEYNOTE</p> <p>DOOR SYMBOL</p> <p>WINDOW SYMBOL</p> <p>CEILING HEIGHTS</p> <p>VAULTED CEILING</p> <p>ROOF SLOPE</p>

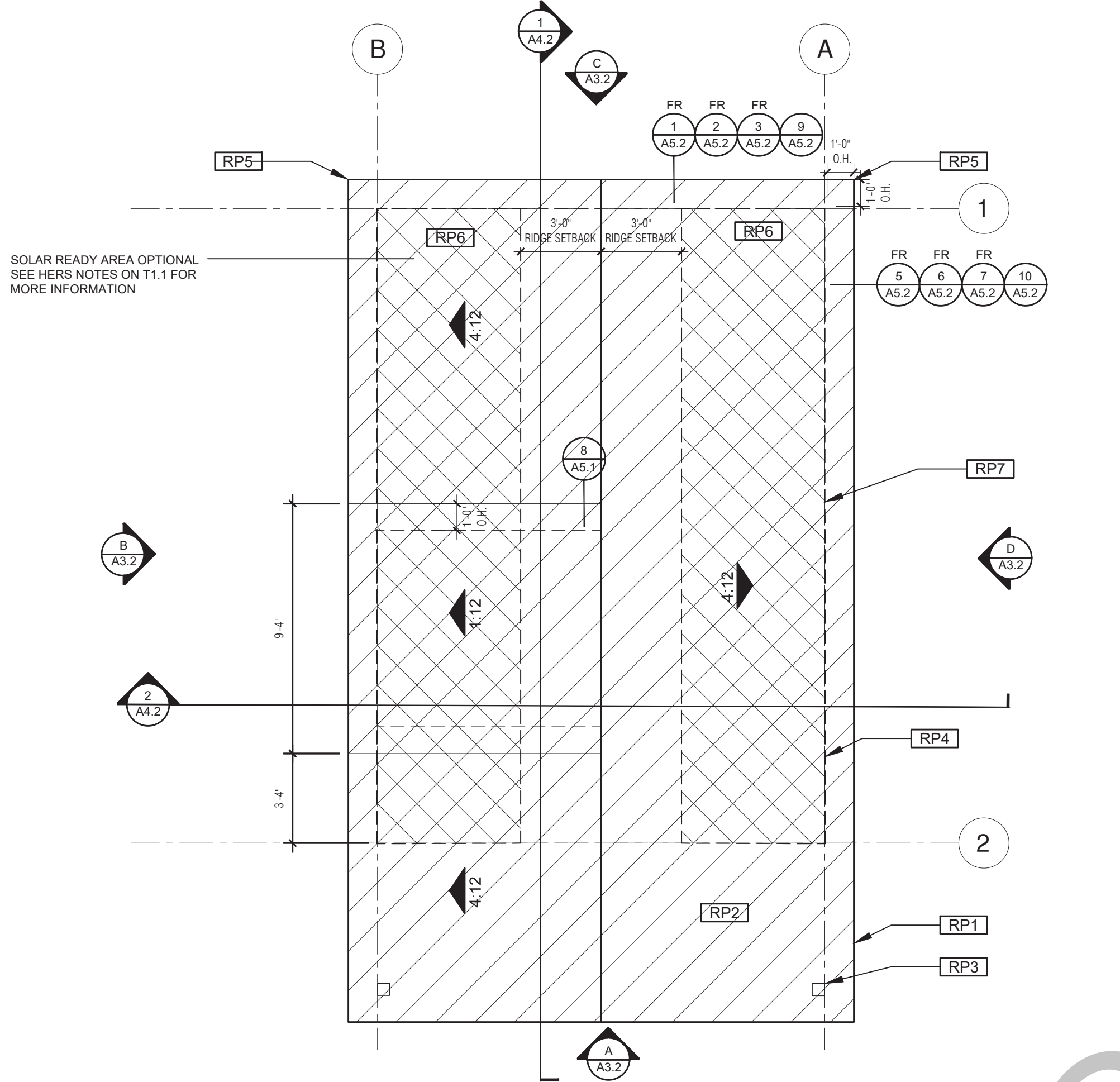
project  
City of Carlsbad  
Pre-Approved ADU  
Program

revisions  
△  
△  
△  
△  
△  
description  
**Floor/Roof Plan**  
**Contemporary**  
**Studio**

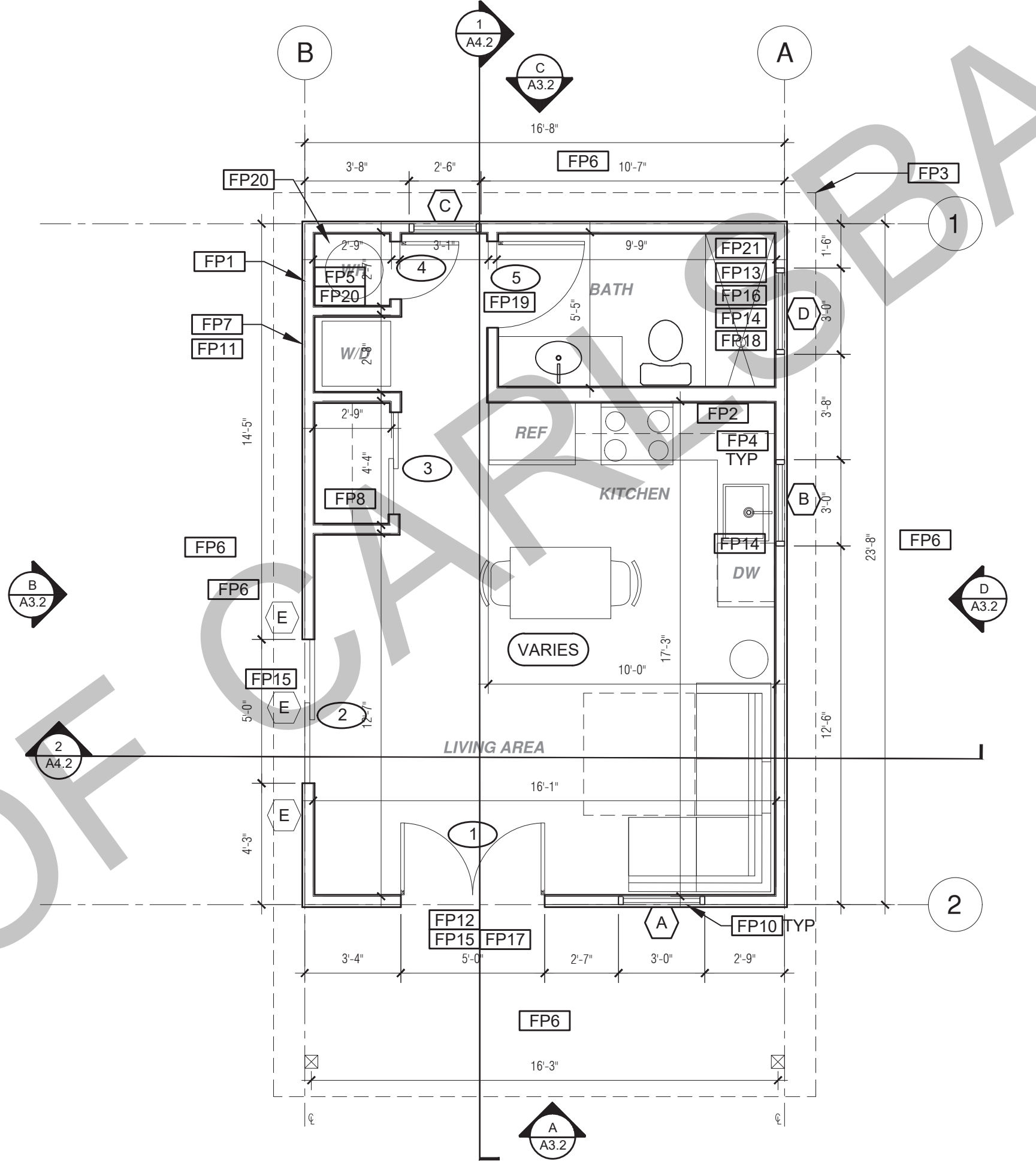
date 05 May 2023  
project no. 2022\_Carlsbad\_ADU  
drawn by Design Path Studio  
sheet no.

**A1.1**





**ROOF PLAN**  
1/4"=1'-0" 400 SQ. FT. FARMHOUSE



**FLOOR PLAN**  
1/4"=1'-0" 400 SQ. FT. FARMHOUSE

BY USING THESE PERMIT READY CONSTRUCTION DOCUMENTS, THE RECIPIENT ACKNOWLEDGES, ACCEPTS AND VOLUNTARILY AFFIRMS THE FOLLOWING CONDITIONS:  
1. THE USE OF THIS INFORMATION IS RESTRICTED TO THE ORIGINAL PROJECT FOR WHICH IT WAS PREPARED FOR THE PERMIT READY ACCESSORY DWELLING UNIT (ADU) PROGRAM FOR THE CITY OF CARLSBAD ONLY. THIS IS A LIMITED SET OF STANDARDIZED ADU PLANS AND SPECIFICATIONS APPROVED BY THE CITY OF CARLSBAD BUILDING DEPARTMENT. BUILDING CODES DO CHANGE OVER TIME AND RECIPIENT SHALL ENSURE FULL COMPLIANCE UNDER ALL CODES THEN IN EFFECT AT THE TIME OF THE SUBJECT PERMIT. THIS DOES NOT ELIMINATE OR REDUCE THE RECIPIENT'S RESPONSIBILITY TO VERIFY ANY AND ALL INFORMATION RELEVANT TO THE RECIPIENT'S WORK AND RESPONSIBILITY ON THIS PROJECT. DESIGN PATH STUDIO SHALL NOT BE RESPONSIBLE FOR TRANSLATION ERRORS. DO NOT USE THESE CONSTRUCTION DOCUMENTS IF THE PERMIT HAS EXPIRED OR IS REVOKED AT ALL.  
2. THE RECIPIENT RECOGNIZES AND ACKNOWLEDGES THAT THE USE OF THIS INFORMATION WILL BE AT THEIR SOLE RISK AND WITHOUT ANY LIABILITY OR LEGAL EXPOSURE TO DESIGN PATH STUDIO. NO WARRANTIES OF ANY NATURE, WHETHER EXPRESS OR IMPLIED, SHALL ATTACH TO THESE DOCUMENTS AND THE INFORMATION CONTAINED THEREON. ANY USE, REUSE, OR ALTERATION OF THESE DOCUMENTS BY THE RECIPIENT OR BY OTHERS WILL BE AT THE RECIPIENT'S RISK AND FULL LEGAL RESPONSIBILITY. FURTHERMORE, THE RECIPIENT WILL, TO THE FULLEST EXTENT PERMITTED BY LAW, DEFEND, INDEMNIFY AND HOLD DESIGN PATH STUDIO AND ITS ARCHITECTS HARMLESS FROM ANY AND ALL CLAIMS, SUITS, LIABILITY, DEMANDS, JUDGMENTS, OR COSTS ARISING OUT OF OR RESULTING THERE FROM ANY USE OF THESE CONSTRUCTION DOCUMENTS FOR OR ON ACCOUNT OF ANY INJURY, DEATH, DAMAGE OR LOSS TO PERSONS OR PROPERTY, DIRECT OR CONSEQUENTIAL DAMAGES IN ANY AMOUNT. THIS INDEMNITY DOES NOT APPLY TO THE SOLE NEGLIGENCE OR WILLFUL MISCONDUCT OF DESIGN PATH STUDIO OR ITS ARCHITECTS.  
3. THE DESIGNS REPRESENTED BY THESE PLANS ARE COPYRIGHTED AND ARE SUBJECT TO COPYRIGHT PROTECTION.  
4. IF THE RECIPIENT DOES NOT AGREE WITH THE ABOVE CONDITIONS, DO NOT PROCEED WITH CONSTRUCTION OF AN ADU OR OTHER IMPROVEMENT UNDER THESE PLANS AT ALL.

ROOF KEYNOTES	FLOOR PLAN KEYNOTES	SOLAR/ENERGY STORAGE READY NOTES	LEGEND
<p><b>RP1</b> LINE OF ROOF OVERHANG</p> <p><b>RP2</b> CLASS A ROOFING MATERIAL. SEE GENERAL ROOF NOTE 13 ON SHEET G0.2</p> <p><b>RP3</b> SUPPORT POST BELOW</p> <p><b>RP4</b> LINE OF WALLS BELOW</p> <p><b>RP5</b> ROOF DOWNSPOUT LOCATION TO BE DETERMINED BY SITE SPECIFIC CONDITIONS</p> <p><b>RP6</b> DESIGNATED SOLAR PANEL AREA. PLEASE SEE SOLAR READY NOTES ON THIS SHEET</p> <p><b>RP7</b> RAFTER VENTS TO MEET REQUIRED VENTILATION AREA FOR ENCLOSED RAFTER SPACES. MAX 1/4", MIN 1/4" OPENING SIZE ON VENT SCREEN WITH CORROSION-RESISTANT WIRE SCREEN MATERIAL. 1 SF OF VENTING PER 150 SF OF ENCLOSED RAFTER AREA IN NON-FIRE RATED CONSTRUCTION PLEASE SEE VENTING CALCULATIONS ON THIS SHEET</p>	<p><b>FP1</b> STUD WALL SIZED PER STRUCTURAL</p> <p><b>FP2</b> 2X6 STUD WALL OR FURRING AS NEEDED FOR MECHANICAL / PLUMBING / VENTING</p> <p><b>FP3</b> LINE OF OVERHANG ABOVE</p> <p><b>FP4</b> 36" HIGH COUNTER</p> <p><b>FP5</b> WATER HEATER INSTALLED PER MANUFACTURER REQUIREMENTS</p> <p><b>FP6</b> SLOPE SURFACE AWAY FROM BUILDING</p> <p><b>FP7</b> DRYER VENT TERMINATION ON EXTERIOR WALL TO BE A MINIMUM OF 3 FT FROM ANY OPENING</p> <p><b>FP8</b> CLOSET SHELF AND POLE</p> <p><b>FP9</b> EMERGENCY EGRESS WINDOW</p> <p><b>FP10</b> WINDOW MUST HAVE A FRAME AND SASH COMPRISED OF WELDED CORNERS, METAL REINFORCEMENT IN THE INTERLOCK AREA, AND CONSTRUCTED OF MULTIPANE TEMPERED GLAZING WHERE INDICATED TYPICAL ALL WINDOWS</p> <p><b>FP11</b> VENT DRYER THROUGH WALL. SEE MECHANICAL / PLUMBING PLANS FOR FURTHER INFORMATION</p> <p><b>FP12</b> MIN. 1 HINGED ENTRY DOOR FOR EGRESS COMPLIANCE REQUIRED - THE EGRESS DOOR SHALL BE SIDE-HINGED AND SHALL PROVIDE A CLEAR WIDTH OF NOT LESS THAN 32 INCHES WHERE MEASURED BETWEEN THE FACE OF THE DOOR AND THE STOP, WITH THE DOOR OPEN 90°. THE CLEAR HEIGHT OF THE DOOR OPENING SHALL BE NOT LESS THAN 78 INCHES IN HEIGHT MEASURED FROM THE TOP OF THE THRESHOLD TO THE BOTTOM OF THE STOP</p> <p><b>FP13</b> SURROUND AROUND THE SHOWER MUST BE TEMPERED. GLAZING IN THE WALLS/DOORS FACING OR CONTAINING BATHTUBS, SHOWERS, HOT TUBS, SPAS, WHIRLPOOLS, SAUNAS, STEAM ROOMS AND INDOOR/OUTDOOR SWIMMING POOLS WHERE THE BOTTOM EXPOSED EDGE OF THE GLAZING IS LESS THAN 60" ABOVE THE STANDING SURFACE. EXCEPTION: GLAZING THAT IS MORE THAN 60" MEASURED HORIZONTALLY FROM THE WATER'S EDGE OF A BATHTUB, HOT TUB, SPA, WHIRLPOOL OR SWIMMING POOL.</p> <p><b>FP14</b> PER SECTION 301.1.1 CALGREEN AND CIVIL CODE 1101.3(c). ALL PLUMBING FIXTURES SHALL BE COMPLIANT WATER-CONSERVING PLUMBING FIXTURES. SEE MECHANICAL / PLUMBING PLANS FOR FURTHER INFORMATION</p> <p><b>FP15</b> LANDING OR FLOOR REQUIRED AT EACH SIDE OF EXTERIOR DOOR. WIDTH TO BE NOT LESS THAN THE DOOR SERVED AND HAVE A MIN 36 INCH DEPTH MEASURED IN THE DIRECTION OF TRAVEL. EXTERIOR LANDINGS SHALL BE PERMITTED TO HAVE A SLOPE NOT TO EXCEED 1" PER FOOT. LANDINGS OR FINISHED FLOORS AT EGRESS DOOR SHALL NOT BE MORE THAN 1.5" LOWER THAN THE TOP OF THE THRESHOLD FOR OUTWARD SWINGING DOORS OR 7.75" FOR DOORS THAT DO NOT SWING OUTWARD.</p> <p><b>FP16</b> WALL COVERING SHALL BE CEMENT PLASTER, TILE OR APPROVED EQUAL TO 72" ABOVE DRAIN AT SHOWERS OR TUB WITH SHOWERS. MATERIALS OTHER THAN STRUCTURAL ELEMENTS ARE TO BE MOISTURE RESISTANT. CRC R307.2</p> <p><b>FP17</b> DOOR BELL BUTTON TO BE NO MORE THAN 48" ABOVE EXTERIOR FLOOR OR LANDING</p> <p><b>FP18</b> WATER CLOSET AND SHOWER TO HAVE REINFORCEMENT IN WALLS 2X8 NOMINAL AT 32" TO 38.5" ABOVE FINISH FLOOR. SEE FLOOR PLAN GENERAL NOTE #32 ON SHEET G0.2 FOR FURTHER INFORMATION</p> <p><b>FP19</b> DOOR TO HAVE A NET CLEAR OPENING OF 32"</p> <p><b>FP20</b> DESIGNATED 2'-6" x 2'-6" x 7' TALL MINIMUM AREA FOR FUTURE INSTALLATION OF A HEAT PUMP WATER HEATER PER CEC 2022 SECTION 150.0(n)</p> <p><b>FP21</b> FURRING AS NEEDED FOR STANDARD TUB AND SHOWER LENGTH</p>	<p>SOLAR READY ROOF AREA: MIN DIMENSION &gt; 5FT. MIN. SF &gt; 80SF. PER CALIFORNIA ENERGY CODE SECTION 110.10(b)</p> <p>THE SOLAR ZONE SHALL COMPLY WITH ACCESS, PATHWAY, SMOKE VENTILATION, AND SPACING REQUIREMENTS AS SPECIFIED IN TILE 24, PART 9 OR OTHER PARTS OF TITLE 24 OR IN ANY REQUIREMENTS ADOPTED BY LOCAL JURISDICTION</p> <p>SINGLE FAMILY RESIDENCE. THE SOLAR ZONE SHALL BE LOCATED ON THE ROOF OR OVERHANG OF THE BUILDING AND HAVE A TOTAL AREA OF NO LESS THAN 250SQFT.</p> <p>FOR PHOTOVOLTAIC ARRAYS OCCUPYING NOT MORE THAN 33 PERCENT OF THE PLAN VIEW TOTAL ROOF AREA, NOT LESS THAN AN 18-INCH (457 MM) CLEAR SETBACK IS REQUIRED ON BOTH SIDES OF A HORIZONTAL RIDGE. FOR PHOTOVOLTAIC ARRAYS OCCUPYING MORE THAN 33 PERCENT OF THE PLAN VIEW TOTAL ROOF AREA, NOT LESS THAN A 36-INCH (914 MM) CLEAR SETBACK IS REQUIRED ON BOTH SIDES OF A HORIZONTAL RIDGE.</p> <p>SOLAR READY AREA CAN INCLUDE EXISTING, ADEQUATELY SIZED, SOLAR SYSTEM ON THE EXISTING HOUSE.</p> <p>REFER TO SHEET G0.2 FOR ENERGY STORAGE SYSTEM REQUIREMENTS PER CALIFORNIA ENERGY CODE 2022 SECTION 150.0(g).</p> <p><b>VENTING CALCULATIONS</b></p> <p>ROOF VENTING: 1SF. OF ROOF VENTING PER 150 SF. OF ENCLOSED AREA OR ENCLOSED RAFTER AREA. ENCLOSED RAFTER AREA: 400 SF. VENTILATION AREA REQUIRED: 400 SF / 150SF = 2.67 SF. CONVERT TO SQ. IN. 2.67 SF x 144 = 384 SQ. IN. MINIMUM VENTILATION AREA REQUIRED: 384 SQ. IN.</p>	<p><b>SECTION CUT</b></p> <p><b>ELEVATION CALLOUT</b></p> <p><b>DETAIL DRAWING REF.</b></p> <p><b>WALL BELOW OR ROOF ABOVE</b></p> <p><b>SOLAR ZONE. REFER TO SOLAR NOTES ON SHEET G0.2 AND THIS SHEET</b></p> <p><b>ROOFING</b></p> <p><b>KEYNOTE</b></p> <p><b>DOOR SYMBOL</b></p> <p><b>WINDOW SYMBOL</b></p> <p><b>CEILING HEIGHTS</b></p> <p><b>VAULTED CEILING</b></p> <p><b>ROOF SLOPE</b></p>

project  
City of Carlsbad  
Pre-Approved ADU  
Program

revisions

description  
**Floor/Roof Plan  
Farmhouse  
Studio**

date 05 May 2023

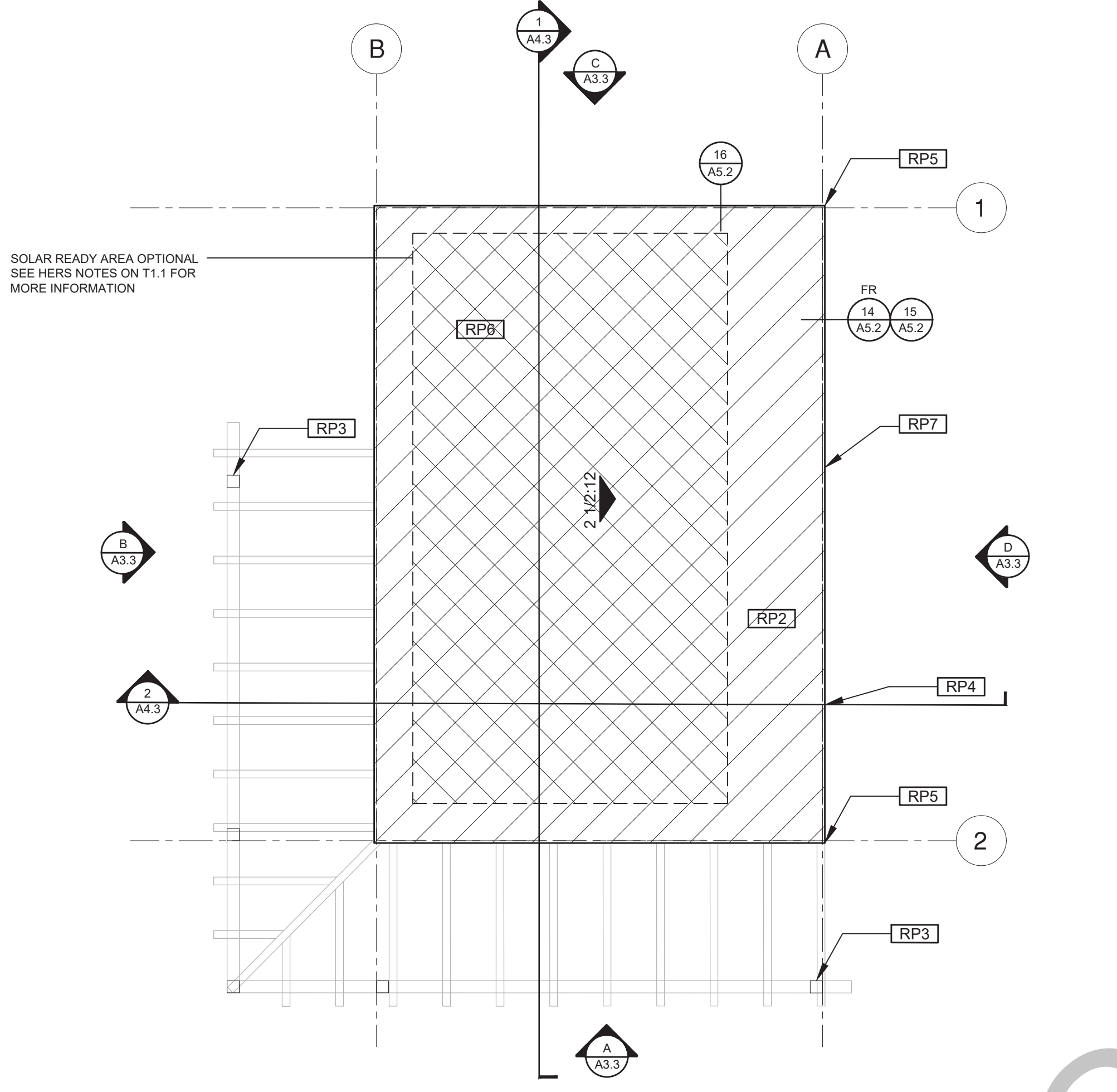
project no. 2022\_Carlsbad\_ADU

drawn by Design Path Studio

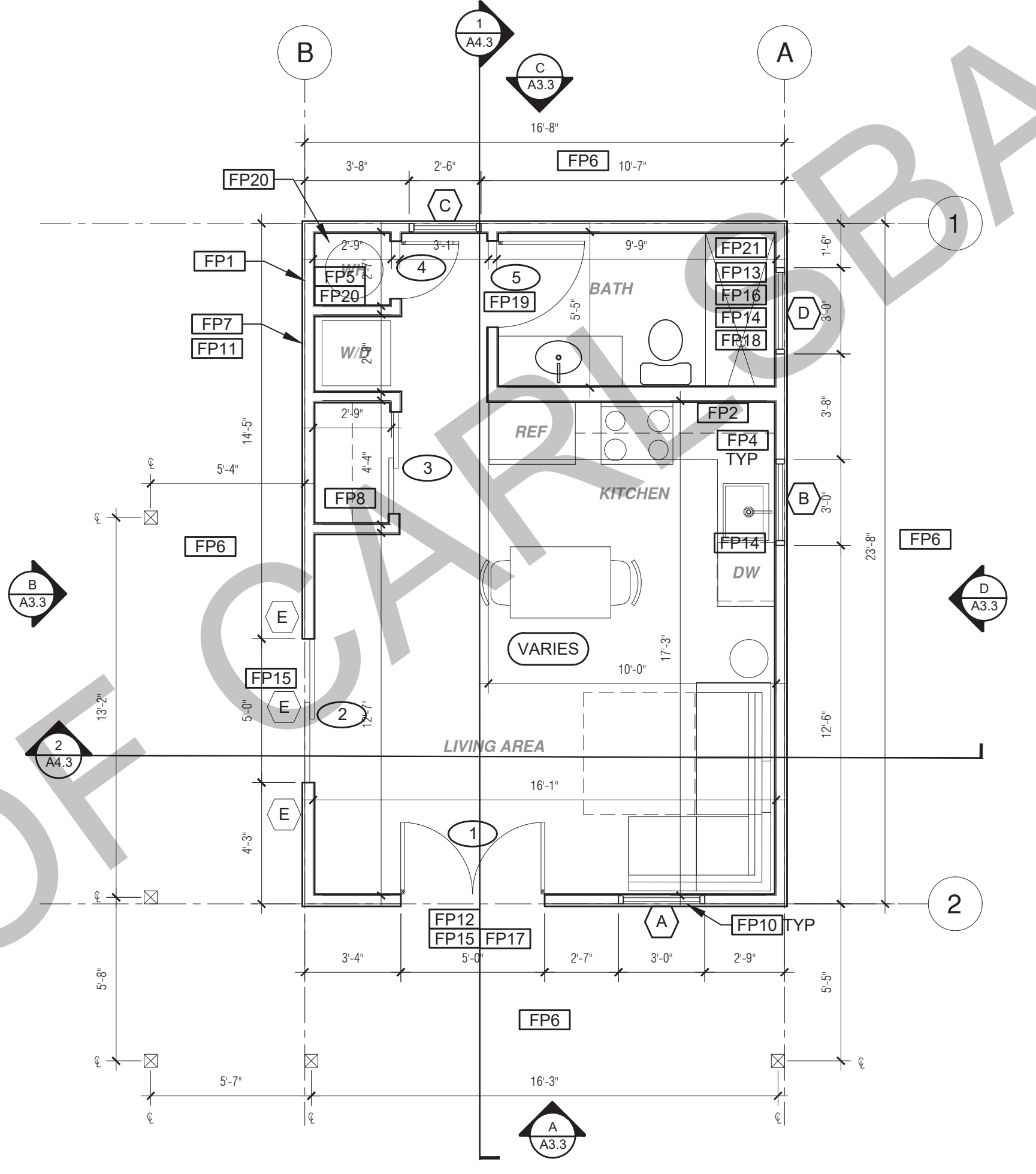
sheet no.

**A1.2**





**ROOF PLAN**  
1/4"=1'-0" 400 SQ. FT. SPANISH



**FLOOR PLAN**  
1/4"=1'-0" 400 SQ. FT. SPANISH

BY USING THESE PERMIT READY CONSTRUCTION DOCUMENTS, THE RECIPIENT ACKNOWLEDGES, ACCEPTS AND VOLUNTARILY AFFIRMS THE FOLLOWING CONDITIONS:  
1. THE USE OF THIS INFORMATION IS RESTRICTED TO THE ORIGINAL PROJECT FOR WHICH IT WAS PREPARED FOR THE PERMIT READY ACCESSORY DWELLING UNIT (ADU) PROGRAM FOR THE CITY OF CARLSBAD ONLY. THIS IS A LIMITED SET OF STANDARDIZED ADU PLANS AND SPECIFICATIONS APPROVED BY THE CITY OF CARLSBAD BUILDING DEPARTMENT. BUILDING CODES DO CHANGE OVER TIME AND RECIPIENT SHALL ENSURE FULL COMPLIANCE UNDER ALL CODES THEN IN EFFECT AT THE TIME OF THE SUBJECT PERMIT. THIS DOES NOT ELIMINATE OR REDUCE THE RECIPIENT'S RESPONSIBILITY TO VERIFY ANY AND ALL INFORMATION RELEVANT TO THE RECIPIENT'S WORK AND RESPONSIBILITY ON THIS PROJECT. DESIGN PATH STUDIO SHALL NOT BE RESPONSIBLE FOR TRANSLATION ERRORS. DO NOT USE THESE CONSTRUCTION DOCUMENTS IF THE PERMIT HAS EXPIRED OR IS REVOKED AT ALL.  
2. THE RECIPIENT RECOGNIZES AND ACKNOWLEDGES THAT THE USE OF THIS INFORMATION WILL BE AT THEIR SOLE RISK AND WITHOUT ANY LIABILITY OR LEGAL EXPOSURE TO DESIGN PATH STUDIO. NO WARRANTIES OF ANY NATURE, WHETHER EXPRESS OR IMPLIED, SHALL ATTACH TO THESE DOCUMENTS AND THE INFORMATION CONTAINED THEREON. ANY USE, REUSE, OR ALTERATION OF THESE DOCUMENTS BY THE RECIPIENT OR BY OTHERS WILL BE AT THE RECIPIENT'S RISK AND FULL LEGAL RESPONSIBILITY. FURTHERMORE, THE RECIPIENT WILL, TO THE FULLEST EXTENT PERMITTED BY LAW, DEFEND, INDEMNIFY AND HOLD DESIGN PATH STUDIO AND ITS ARCHITECTS HARMLESS FROM ANY AND ALL CLAIMS, SUITS, LIABILITY, DEMANDS, JUDGMENTS, OR COSTS ARISING OUT OF OR RESULTING THERE FROM ANY USE OF THESE CONSTRUCTION DOCUMENTS FOR OR ON ACCOUNT OF ANY INJURY, DEATH, DAMAGE OR LOSS TO PERSONS OR PROPERTY, DIRECT OR CONSEQUENTIAL DAMAGES IN ANY AMOUNT. THIS INDEMNITY DOES NOT APPLY TO THE SOLE NEGLIGENCE OR WILLFUL MISCONDUCT OF DESIGN PATH STUDIO OR ITS ARCHITECTS.  
3. THE DESIGNS REPRESENTED BY THESE PLANS ARE COPYRIGHTED AND ARE SUBJECT TO COPYRIGHT PROTECTION.  
4. IF THE RECIPIENT DOES NOT AGREE WITH THE ABOVE CONDITIONS, DO NOT PROCEED WITH CONSTRUCTION OF AN ADU OR OTHER IMPROVEMENT UNDER THESE PLANS AT ALL.

ROOF KEYNOTES	
<b>RP1</b>	LINE OF ROOF OVERHANG
<b>RP2</b>	CLASS A ROOFING MATERIAL. SEE GENERAL ROOF NOTE 13 ON SHEET G0.2
<b>RP3</b>	SUPPORT POST BELOW
<b>RP4</b>	LINE OF WALLS BELOW
<b>RP5</b>	ROOF DOWNSPOUT LOCATION TO BE DETERMINED BY SITE SPECIFIC CONDITIONS
<b>RP6</b>	DESIGNATED SOLAR PANEL AREA. PLEASE SEE SOLAR READY NOTES ON THIS SHEET
<b>RP7</b>	RAFTER VENTS TO MEET REQUIRED VENTILATION AREA FOR ENCLOSED RAFTER SPACES. MAX 1/4", MIN 1/4" OPENING SIZE ON VENT SCREEN WITH CORROSION-RESISTANT WIRE SCREEN MATERIAL. 1 SF OF VENTING PER 150 SF OF ENCLOSED RAFTER AREA IN NON-FIRE RATED CONSTRUCTION PLEASE SEE VENTING CALCULATIONS ON THIS SHEET

FLOOR PLAN KEYNOTES	
<b>FP1</b>	STUD WALL SIZED PER STRUCTURAL
<b>FP2</b>	2X6 STUD WALL OR FURRING AS NEEDED FOR MECHANICAL / PLUMBING / VENTING
<b>FP3</b>	LINE OF OVERHANG ABOVE
<b>FP4</b>	36" HIGH COUNTER
<b>FP5</b>	WATER HEATER INSTALLED PER MANUFACTURER REQUIREMENTS
<b>FP6</b>	SLOPE SURFACE AWAY FROM BUILDING
<b>FP7</b>	DRYER VENT TERMINATION ON EXTERIOR WALL TO BE A MINIMUM OF 3 FT FROM ANY OPENING
<b>FP8</b>	CLOSET SHELF AND POLE
<b>FP9</b>	EMERGENCY EGRESS WINDOW
<b>FP10</b>	WINDOW MUST HAVE A FRAME AND SASH COMPRISED OF WELDED CORNERS, METAL REINFORCEMENT IN THE INTERLOCK AREA, AND CONSTRUCTED OF MULTIPANE TEMPERED GLAZING WHERE INDICATED TYPICAL ALL WINDOWS
<b>FP11</b>	VENT DRYER THROUGH WALL. SEE MECHANICAL / PLUMBING PLANS FOR FURTHER INFORMATION
<b>FP12</b>	MIN. 1 HINGED ENTRY DOOR FOR EGRESS COMPLIANCE REQUIRED - THE EGRESS DOOR SHALL BE SIDE-HINGED AND SHALL PROVIDE A CLEAR WIDTH OF NOT LESS THAN 32 INCHES WHERE MEASURED BETWEEN THE FACE OF THE DOOR AND THE STOP, WITH THE DOOR OPEN 90°. THE CLEAR HEIGHT OF THE DOOR OPENING SHALL BE NOT LESS THAN 78 INCHES IN HEIGHT MEASURED FROM THE TOP OF THE THRESHOLD TO THE BOTTOM OF THE STOP
<b>FP13</b>	SURROUND AROUND THE SHOWER MUST BE TEMPERED. GLAZING IN THE WALLS/DOORS FACING OR CONTAINING BATHTUBS, SHOWERS, HOT TUBS, SPAS, WHIRLPOOLS, SAUNAS, STEAM ROOMS AND INDOOR/OUTDOOR SWIMMING POOLS WHERE THE BOTTOM EXPOSED EDGE OF THE GLAZING IS LESS THAN 60" ABOVE THE STANDING SURFACE. EXCEPTION: GLAZING THAT IS MORE THAN 60" MEASURED HORIZONTALLY, FROM THE WATER'S EDGE OF A BATHTUB, HOT TUB, SPA, WHIRLPOOL OR SWIMMING POOL.
<b>FP14</b>	PER SECTION 301.1.1 CALGREEN AND CIVIL CODE 1101.3(C). ALL PLUMBING FIXTURES SHALL BE COMPLIANT WATER-CONSERVING PLUMBING FIXTURES. SEE MECHANICAL / PLUMBING PLANS FOR FURTHER INFORMATION
<b>FP15</b>	LANDING OR FLOOR REQUIRED AT EACH SIDE OF EXTERIOR DOOR. WIDTH TO BE NOT LESS THAN THE DOOR SERVED AND HAVE A MIN 36 INCH DEPTH MEASURED IN THE DIRECTION OF TRAVEL. EXTERIOR LANDINGS SHALL BE PERMITTED TO HAVE A SLOPE NOT TO EXCEED 1" PER FOOT. LANDINGS OR FINISHED FLOORS AT EGRESS DOOR SHALL NOT BE MORE THAN 1.5" LOWER THAN THE TOP OF THE THRESHOLD FOR OUTWARD SWINGING DOORS OR 7.75" FOR DOORS THAT DO NOT SWING OUTWARD.
<b>FP16</b>	WALL COVERING SHALL BE CEMENT PLASTER, TILE OR APPROVED EQUAL TO 72" ABOVE DRAIN AT SHOWERS OR TUB WITH SHOWERS. MATERIALS OTHER THAN STRUCTURAL ELEMENTS ARE TO BE MOISTURE RESISTANT. CRC R307.2
<b>FP17</b>	DOOR BELL BUTTON TO BE NO MORE THAN 48" ABOVE EXTERIOR FLOOR OR LANDING
<b>FP18</b>	WATER CLOSET AND SHOWER TO HAVE REINFORCEMENT IN WALLS 2X8 NOMINAL AT 32" TO 38.5" ABOVE FINISH FLOOR. SEE FLOOR PLAN GENERAL NOTE #32 ON SHEET G0.2 FOR FURTHER INFORMATION
<b>FP19</b>	DOOR TO HAVE A NET CLEAR OPENING OF 32"
<b>FP20</b>	DESIGNATED 2'-6" x 2'-6" x 7' TALL MINIMUM AREA FOR FUTURE INSTALLATION OF A HEAT PUMP WATER HEATER PER CEC 2022 SECTION 150.0(N)
<b>FP21</b>	FURRING AS NEEDED FOR STANDARD TUB AND SHOWER LENGTH

SOLAR/ENERGY STORAGE READY NOTES	
SOLAR READY ROOF AREA: MIN DIMENSION > 5FT. MIN. SF > 80SF. PER CALIFORNIA ENERGY CODE SECTION 110.10(b)	
THE SOLAR ZONE SHALL COMPLY WITH ACCESS, PATHWAY, SMOKE VENTILATION, AND SPACING REQUIREMENTS AS SPECIFIED IN TILE 24, PART 9 OR OTHER PARTS OF TITLE 24 OR IN ANY REQUIREMENTS ADOPTED BY LOCAL JURISDICTION	
SINGLE FAMILY RESIDENCE. THE SOLAR ZONE SHALL BE LOCATED ON THE ROOF OR OVERHANG OF THE BUILDING AND HAVE A TOTAL AREA OF NO LESS THAN 250SQFT.	
FOR PHOTOVOLTAIC ARRAYS OCCUPYING NOT MORE THAN 33 PERCENT OF THE PLAN VIEW TOTAL ROOF AREA, NOT LESS THAN AN 18-INCH (457 MM) CLEAR SETBACK IS REQUIRED ON BOTH SIDES OF A HORIZONTAL RIDGE. FOR PHOTOVOLTAIC ARRAYS OCCUPYING MORE THAN 33 PERCENT OF THE PLAN VIEW TOTAL ROOF AREA, NOT LESS THAN A 36-INCH (914 MM) CLEAR SETBACK IS REQUIRED ON BOTH SIDES OF A HORIZONTAL RIDGE.	
SOLAR READY AREA CAN INCLUDE EXISTING, ADEQUATELY SIZED, SOLAR SYSTEM ON THE EXISTING HOUSE.	
REFER TO SHEET G0.2 FOR ENERGY STORAGE SYSTEM REQUIREMENTS PER CALIFORNIA ENERGY CODE 2022 SECTION 150.0(g).	
VENTING CALCULATIONS	
ROOF VENTING: 1SF. OF ROOF VENTING PER 150 SF. OF ENCLOSED AREA OR ENCLOSED RAFTER AREA. ENCLOSED RAFTER AREA: 400 SF. VENTILATION AREA REQUIRED: 400 SF / 150SF = 2.67 SF. CONVERT TO SQ. IN. 2.67 SF x 144 = 384 SQ. IN. MINIMUM VENTILATION AREA REQUIRED: 384 SQ. IN.	

LEGEND			
	SECTION CUT		KEYNOTE
	ELEVATION CALLOUT		DOOR SYMBOL
	DETAIL DRAWING REF.		WINDOW SYMBOL
	WALL BELOW OR ROOF ABOVE		CEILING HEIGHTS
	SOLAR ZONE. REFER TO SOLAR NOTES ON SHEET G0.2 AND THIS SHEET		VAULTED CEILING
	ROOFING		ROOF SLOPE

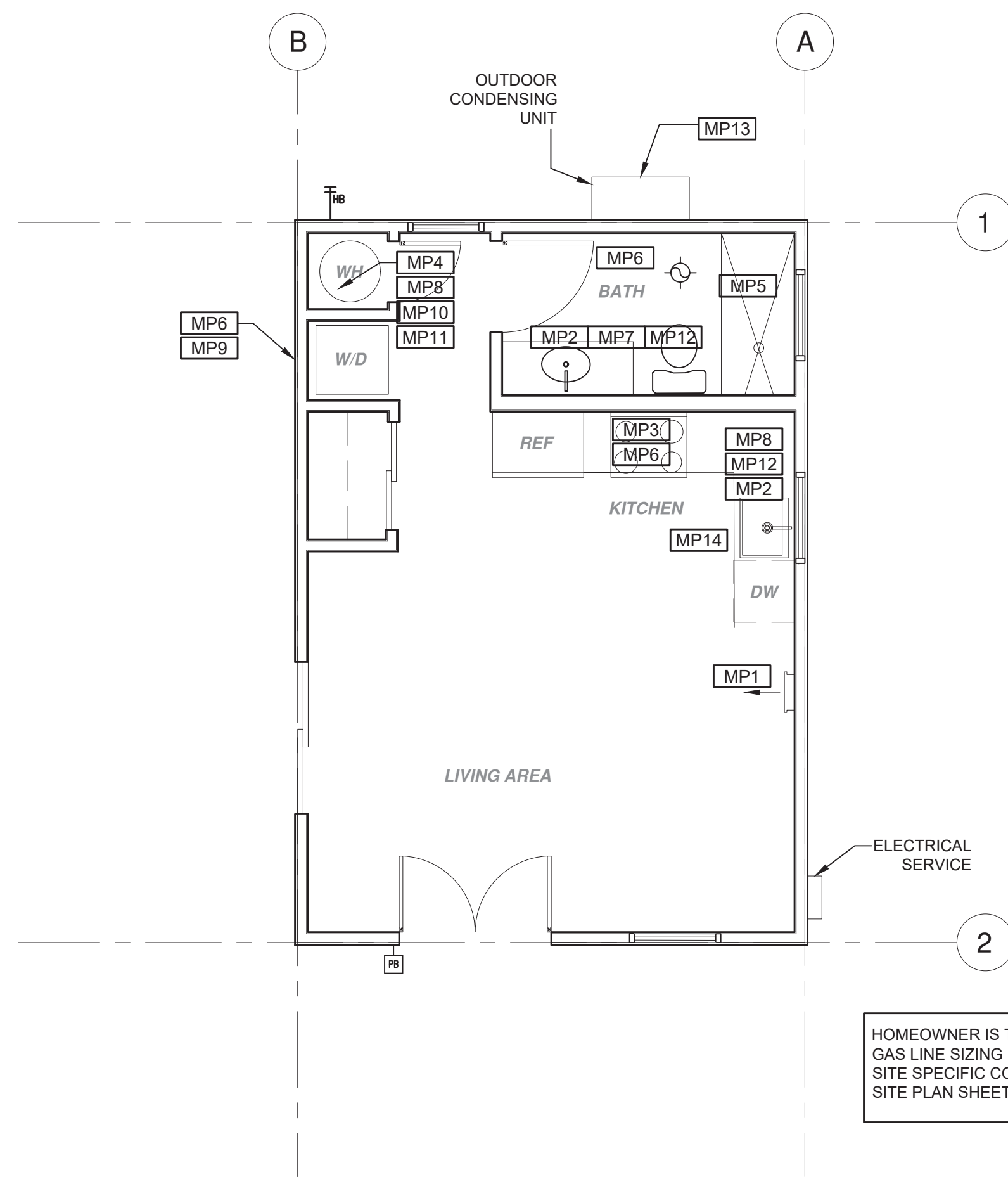
project  
City of Carlsbad  
Pre-Approved ADU  
Program

revisions  
description  
**Floor/Roof Plan**  
**Spanish**  
**Studio**

date 05 May 2023  
project no. 2022\_Carlsbad\_ADU  
drawn by Design Path Studio  
sheet no.

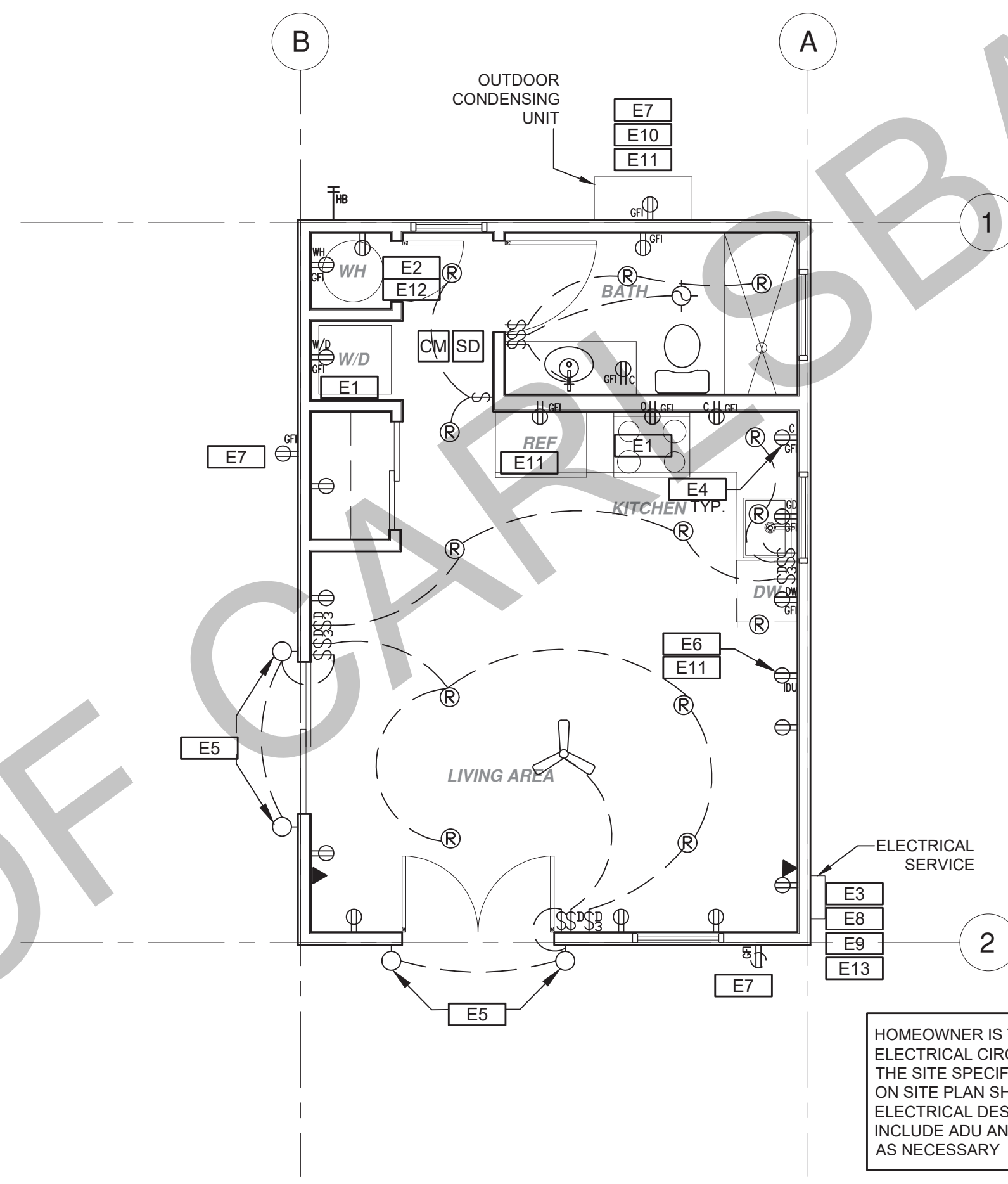
**A1.3**





MECHANICAL/ PLUMBING PLAN  
1/4"=1'-0"

HOMEOWNER IS TO PROVIDE A GAS LINE SIZING DIAGRAM FOR SITE SPECIFIC CONDITIONS ON SITE PLAN SHEET AS.2.



ELECTRICAL PLAN  
1/4"=1'-0"

HOMEOWNER IS TO PROVIDE AN ELECTRICAL CIRCUIT CARD FOR THE SITE SPECIFIC CONDITIONS ON SITE PLAN SHEET AS.2. ELECTRICAL DESIGN IS TO INCLUDE ADU AND MAIN HOUSE AS NECESSARY.

BY USING THESE PERMIT READY CONSTRUCTION DOCUMENTS, THE RECIPIENT ACKNOWLEDGES, ACCEPTS AND VOLUNTARILY AFFIRMS THE FOLLOWING CONDITIONS:  
1. THE USE OF THIS INFORMATION IS RESTRICTED TO THE ORIGINAL PROJECT FOR WHICH IT WAS PREPARED FOR THE PERMIT READY ACCESSORY DWELLING UNIT (ADU) PROGRAM FOR THE CITY OF CARLSBAD ONLY. THIS IS A LIMITED SET OF STANDARDIZED ADU PLANS AND SPECIFICATIONS APPROVED BY THE CITY OF CARLSBAD BUILDING DEPARTMENT. BUILDING CODES DO CHANGE OVER TIME AND RECIPIENT SHALL ENSURE FULL COMPLIANCE UNDER ALL CODES THEN IN EFFECT AT THE TIME OF THE SUBJECT PERMIT. THIS DOES NOT ELIMINATE OR REDUCE THE RECIPIENT'S RESPONSIBILITY TO VERIFY ANY AND ALL INFORMATION RELEVANT TO THE RECIPIENT'S WORK AND RESPONSIBILITY ON THIS PROJECT. DESIGN PATH STUDIO SHALL NOT BE RESPONSIBLE FOR TRANSLATION ERRORS. DO NOT USE THESE CONSTRUCTION DOCUMENTS IF THE PERMIT HAS EXPIRED OR IS REVOKED AT ALL.  
2. THE RECIPIENT RECOGNIZES AND ACKNOWLEDGES THAT THE USE OF THIS INFORMATION WILL BE AT THEIR SOLE RISK AND WITHOUT ANY LIABILITY OR LEGAL EXPOSURE TO DESIGN PATH STUDIO. NO WARRANTIES OF ANY NATURE, WHETHER EXPRESS OR IMPLIED, SHALL ATTACH TO THESE DOCUMENTS AND THE INFORMATION CONTAINED THEREON. ANY USE, REUSE, OR ALTERATION OF THESE DOCUMENTS BY THE RECIPIENT OR BY OTHERS WILL BE AT THE RECIPIENT'S RISK AND FULL LEGAL RESPONSIBILITY. FURTHERMORE, THE RECIPIENT WILL, TO THE FULLEST EXTENT PERMITTED BY LAW, DEFEND, INDEMNIFY AND HOLD DESIGN PATH STUDIO AND ITS ARCHITECTS HARMLESS FROM ANY AND ALL CLAIMS, SUITS, LIABILITY, DEMANDS, JUDGMENTS, OR COSTS ARISING OUT OF OR RESULTING THERE FROM ANY USE OF THESE CONSTRUCTION DOCUMENTS FOR OR ON ACCOUNT OF ANY INJURY, DEATH, DAMAGE OR LOSS TO PERSONS OR PROPERTY, DIRECT OR CONSEQUENTIAL DAMAGES IN ANY AMOUNT. THIS INDEMNITY DOES NOT APPLY TO THE SOLE NEGLIGENCE OR WILLFUL MISCONDUCT OF DESIGN PATH STUDIO OR ITS ARCHITECTS.  
3. THE DESIGNS REPRESENTED BY THESE PLANS ARE COPYRIGHTED AND ARE SUBJECT TO COPYRIGHT PROTECTION.  
4. IF THE RECIPIENT DOES NOT AGREE WITH THE ABOVE CONDITIONS, DO NOT PROCEED WITH CONSTRUCTION OF AN ADU OR OTHER IMPROVEMENT UNDER THESE PLANS AT ALL.

MECHANICAL / PLUMBING KEYNOTES	ELECTRICAL KEYNOTES	MECHANICAL / PLUMBING LEGEND	ELECTRICAL LEGEND
<p><b>MP1</b> INDOOR UNIT MINI SPLIT SYSTEM.</p> <p><b>MP2</b> WATER CONSERVING FIXTURES: NEW WATER CLOSETS SHALL USE NO MORE THAN 1.28 GAL. OF WATER PER FLUSH; LAVATORIES LIMITED TO 1.2 GPM; KITCHEN FAUCETS NOT TO EXCEED 1.8 GPM AT 60 PSI THEY CAN INCREASE THE FLOW MOMENTARILY BUT CANT EXCEED 2.2GALLONS PER MIN. AT 60 PSI AND MUST DEFAULT TO A MAX. FLOW RATE OF 1.8GALONS PER MIN AT 60 PSI. AND SHOWERS NOT EXCEED 1.8 GPM AT 60 PSI AND ALL SHALL BE CERTIFIED TO MEET THE PERFORMANCE CRITERIA OF THE EPA WATERSENSE SPECIFICATIONS FOR SHOWERHEADS. CPC SECTIONS 407, 408, 411, 412 AND SECTION 301.1.1 CALGREEN CODE AND CIVIL CODE 1101.3(c).</p> <p><b>MP3</b> EXHAUST HOOD ABOVE/ TO BE SMOOTH METALLIC INTERIOR SURFACE (CMC 504.3).</p> <p><b>MP4</b> NEW WATER HEATER - TO HAVE CONDENSATE DRAIN INSTALLED NO HIGHER THAN 2" ABOVE THE BASE OF THE HEATER THAT ALSO ALLOWS GRAVITY DRAINAGE.</p> <p><b>MP5</b> CONTROL VALVES IN SHOWERS, BATH TUBS, &amp; BIDETS MUST BE PRESSURE BALANCED OR THERMOSTATIC MIX VALVES.</p> <p><b>MP6</b> MINIMUM OF 3 FT CLEARANCE TO ANY OPENING INTO BUILDING FOR EXHAUST FAN TERMINATIONS.</p> <p><b>MP7</b> CLEARANCE FOR WATER CLOSET TO BE A MIN. OF 24" IN FRONT, AND 15" FROM ITS CENTER TO ANY SIDE WALL OR OBSTRUCTION. (CPC 422.5)</p> <p><b>MP8</b> THE 1/2" SIZE HOT WATER PIPE TO THE KITCHEN SINK AND THE COLD WATER PIPE WITHIN 5' OF WATER HEATER BOTH REQUIRE 1" INSULATION.</p> <p><b>MP9</b> DRYER EXHAUST OUTLET FROM DRYER TO EXTERIOR MAX LENGTH 10' WITH MAXIMUM OF TWO 90° ELBOWS EXHAUST VENT MUST TERMINATE A MIN. OF 3' FROM ANY OPENING. MIN. TYPE 1 CLOTHES DRYER EXHAUST DUCTS SHALL BE OF RIBBED METAL &amp; SHALL HAVE SMOOTH INTERIOR SURFACES. THE DIAMETER SHALL BE NOT LESS THAN 4 INCHES NOMINAL (100 MM), &amp; THE THICKNESS SHALL BE NOT LESS THAN 0.018 OF AN INCH (0.46 MM). EXHAUST DUCTS &amp; DRYER VENTS SHALL BE EQUIPPED WITH BACK DRAFT DAMPERS.</p> <p><b>MP10</b> NEW WATER HEATER WITH T&amp;P RELIEF VALVE AND DISCHARGE PIPE AT EXTERIOR. PROVIDE COMBUSTION AIR AND CLEARANCES PER MANUFACTURER REQUIREMENTS.</p> <p><b>MP11</b> WATER HEATERS SHALL HAVE ISOLATION VALVES ON BOTH THE COLD AND THE HOT WATER PIPING LEAVING THE WATER HEATER COMPLETE WITH HOSE BIBS OR OTHER FITTINGS ON EACH VALVE FOR FLUSHING THE WATER HEATER WHEN THE VALVES ARE CLOSED.</p> <p><b>MP12</b> ALL DOMESTIC HOT WATER PIPING TO HAVE THE FOLLOWING MINIMUM INSULATION INSTALLED: 3" PIPE (R" INSULATION); 2" PIPE (R" INSULATION); 1" TO 1-1/2" PIPE (1-1/2" INSULATION)</p> <p><b>MP13</b> OUTDOOR CONDENSING UNIT TO BE PIPED TO INDOOR HVAC UNIT.</p> <p><b>MP14</b> RANGE HOOD DUCTED TO EXTERIOR. FAN IS TO BE EITHER INTERMITTENT 100CFM OR CONTINUOUS 5 AIR CHANGES PER HOUR AND MUST HAVE A SONE RATING OF 1 FOR CONTINUOUS FAN AND 3 FOR INTERMITTENT FAN.</p>	<p><b>E1</b> DEDICATED 30 AMP/ 240V POWER FOR ELECTRIC DRYER AND OVEN. VERIFY REQUIREMENTS WITH APPLANCE SPECIFICATIONS.</p> <p><b>E2</b> OUTLET FOR NEW WATER HEATER WITHIN 3' OF WATER HEATER.</p> <p><b>E3</b> ELECTRICAL - SUB PANEL LOCATION</p> <p><b>E4</b> OUTLET AT COUNTER HEIGHT - SHALL COMPLY WITH CEC ARTICLE 210.52(C); IN KITCHENS A RECEPTACLE OUTLET SHALL BE INSTALLED AT EACH COUNTER SPACE 12" OR WIDER. SHALL BE INSTALLED SO THAT NO POINT ALONG THE WALL IS MORE THAN 24" ISLAND IN PENINSULAR COUNTERTOPS 12" X 24" LONG (OR GREATER) SHALL HAVE AT LEAST ONE RECEPTACLE.</p> <p><b>E5</b> OUTDOOR LIGHTING FIXTURES ARE REQUIRED TO BE HIGH EFFICACY OR CONTROLLED BY A COMBINATION PHOTOCONTROL / MOTION SENSOR.</p> <p><b>E6</b> OUTLET DEDICATED FOR INDOOR HVAC UNIT</p> <p><b>E7</b> WEATHER RESISTANT TYPE RECEPTACLES GFCI PROTECTED</p> <p><b>E8</b> OVER-CURRENT FEEDER TO EXTEND TO EXISTING PANEL- ALUMINUM CONDUCTOR BURIED UNDER GROUND WITH AWG ALLOWABLE VOLTAGE DROP PER CEC 250.4</p> <p><b>E9</b> SEPARATE GROUND ELECTRODE SYSTEM PER CEC 250.4</p> <p><b>E10</b> OUTDOOR CONDENSING UNIT RECEPTACLE OUTLET SHALL BE INSTALLED AT AN ACCESSIBLE LOCATION FOR THE SERVICING OF THE HEATING AND COOLING EQUIPMENT AND SHALL BE LOCATED ON THE SAME LEVEL AND WITHIN 25 FEET OF THE EQUIPMENT. THIS RECEPTACLE SHALL BE GFCI-WP PROTECTED.</p> <p><b>E11</b> A DISCONNECTING MEANS CAPABLE OF DISCONNECTING AIR-CONDITIONING AND REFRIGERATING EQUIPMENT, INCLUDING MOTOR-COMPRESSORS AND CONTROLLERS FROM THE CIRCUIT CONDUCTOR IS REQUIRED WITHIN SIGHT FROM THE EQUIPMENT LOCATION PER CEC SECTION 440.11</p> <p><b>E12</b> PER CEC 2022 150.0(N) 1.A: THE DESIGNATED SPACE AND WATER HEATER AND IS TO COMPLY WITH ELECTRICAL NOTES 158.16 ON SHEET G0.2</p> <p><b>E13</b> CONTRACTOR TO VERIFY MAIN PANEL</p>	<p><b>MECHANICAL</b></p> <p>EXHAUST FAN: MINIMUM 50 CFM TO BE DUCTED TO THE EXTERIOR AND SHALL PROVIDE FIVE AIR CHANGES PER HOUR; SECTION 1203.3. CFM AND NOISE RATING MAXIMUM 3 SONE FOR INTERMITTENT USE. SHALL BE ENERGY STAR RATED AND CONTROLLED BY A HUMIDISTAT CAPABLE OF AN ADJUSTMENT BETWEEN 50-80% HUMIDITY.</p> <p>DUCT SYSTEMS ARE SIZED, DESIGNED AND EQUIPMENT IS SELECTED USING THE FOLLOWING METHODS:</p> <ol style="list-style-type: none"> <li>ESTABLISH HEAT LOSS AND HEAT GAIN VALUES ACCORDING TO ANS/ ACCA 2 MANUAL J-2011 OR EQUIVALENT.</li> <li>SIZE DUCT SYSTEMS ACCORDING TO ANS/ ACCA 1 MANUAL D-2014 OR EQUIVALENT</li> <li>SELECT HEATING AND COOLING EQUIPMENT ACCORDING TO ANS/ ACCA 3 MANUAL S-2014 OR EQUIVALENT.</li> </ol> <p>RETURN AIR GRILLE, WALL MOUNTED</p> <p>SUPPLY AIR DIFFUSER, WALL MOUNTED</p> <p>THERMOSTAT</p> <p>HOSE BIB</p>	<p><b>FIRE DETECTION</b></p> <p>SMOKE DETECTORS PER SECTION R314 DETECTORS SHALL BE PERMANENTLY WIRED WITH BATTERY BACKUP. SOUND AN ALARM AUDIBLE IN ALL SLEEPING AREAS. ALARM DEVICES SHALL BE INTERCONNECTED IN SUCH A MANNER THAT THE ACTUATION OF ONE ALARM WILL ACTIVATE ALL OF THE ALARMS IN THE UNIT.</p> <p>SHALL COMPLY WITH THE FOLLOWING:</p> <ul style="list-style-type: none"> <li>AT LEAST 3' FROM THE TIP OF THE BLADE OF A CEILING-MOUNTED FAN</li> <li>NOT LESS THAN 3' FROM THE DOOR OPENING OF A BATHROOM</li> <li>AT LEAS 20" FROM A COOKING APPLIANCE OR 10" FROM COOKING APPLIANCE WHEN THE ALARM IS AN IONIZING SMOKE ALARM PER NFPA 72 SECTION 29.8.3.4 ITEM 4</li> <li>AT LEAST 3' FROM SUPPLY REGISTERS OF A HEATING/COOLING SYSTEM</li> </ul> <p>CARBON MONOXIDE ALARM PERMANENTLY WIRED WITH BATTERY BACKUP PER SECTION R315. ALARMS SHALL BE INTERCONNECTED IN SUCH A MANNER THAT THE ACTUATION OF ONE ALARM WILL ACTIVATE ALL OF THE ALARMS IN THE UNIT.</p> <p><b>POWER/DATA</b></p> <p>TAMPER RESISTANT RECEPTACLE WALL MOUNTED, 110 V DUPLEX U.O.N.</p> <p>GFI = WATER PROOF GFCI CT = COOKTOP GRILL 240 V O = OVEN 240 V MW = MICROWAVE 110 V GD = GARBAGE DISPOSAL 110 V R = RANGE 200V C = COUNTER HEIGHT 6" ABV COUNTER IDU = INDOOR UNIT POWER 84" AFF WD = WASHER/DRYER 30AMP/ 240AMP</p> <p>PHONE / DATA / MEDIA CEILING, WATERPROOF OUTLET FLOOR MOUNTED DUPLEX RECEPTACLE, VERIFY LOCATION IN FIELD. SPECIAL PURPOSE CONNECTION (VOLTAGE SHALL MATCH APPLIANCE REQ.) SUB PANEL</p> <p><b>SWITCHING</b></p> <p>SWITCH MOUNT AT 43" AFF THREE-WAY SWITCH FOUR-WAY SWITCH DIMMER SWITCH MOUNT 6" ABV COUNTER</p> <p><b>MISC.</b></p> <p>CEILING FANLIGHT COMBO CIRCUIT WIRING DOOR BELL BUTTON</p> <p><b>LIGHTING</b></p> <p>CEILING, RECESSED, DIRECTIONAL, ZERO CLEARANCE IC RATED LED BULB CEILING, RECESSED, ZERO CLEARANCE IC RATED LED BULB CEILING, RECESSED, ZERO CLEARANCE IC RATED, WATER RESISTANT, LED BULB WALL MOUNTED LIGHT JUNCTION BOX FLUSH CEILING MOUNTED UNDER COUNTER LIGHTING LOW VOLTAGE, LANDSCAPE LIGHT FLUORESCENT FIXTURE (USE SHALLOW TYPE WHEN UNDER COUNTER)</p> <p><b>BATHROOM EXHAUST FAN REQUIREMENTS: PER CGBC 4.506.1- EACH BATHROOM SHALL BE MECHANICALLY VENTILATED AND SHALL COMPLY WITH THE FOLLOWING:</b> 1. FANS SHALL BE ENERGY STAR COMPLIANT AND BE DUCTED TO TERMINATE OUTSIDE THE BUILDING. 2. UNLESS FUNCTIONING AS A COMPONENT OF A WHOLE HOUSE VENTILATION SYSTEM, FANS MUST BE CONTROLLED BY A HUMIDITY CONTROL. A HUMIDITY CONTROL SHALL BE CAPABLE OF ADJUSTMENT BETWEEN A RELATIVE HUMIDITY RANGE OF +/- 50% TO A MAXIMUM OF 80%. A HUMIDITY CONTROL MAY UTILIZE MANUAL OR AUTOMATIC MEANS OF ADJUSTMENT. B. A HUMIDITY CONTROL MAY BE A SEPARATE COMPONENT TO EXHAUST FAN AND IS NOT REQUIRED TO BE INTEGRAL (I.E. BUILT IN)</p> <p><b>RESIDENTIAL ENERGY LIGHTING REQUIREMENTS: ES 150.0(K)</b> *IN THE KITCHEN, AT LEAST ONE-HALF OF THE WATTAGE RATING OF THE FIXTURES MUST BE HIGH EFFICACY. *IN THE BATHROOMS, AT LEAST ONE FIXTURE SHALL BE HIGH EFFICACY AND ALL REMAINING FIXTURES SHALL BE HIGH EFFICACY OR BE CONTROLLED BY A VACANCY SENSOR. *LIGHTING INSTALLED IN GARAGES, LAUNDRY ROOMS, AND UTILITY ROOMS SHALL BE HIGH EFFICACY AND BE CONTROLLED BY VACANCY SENSORS.</p>

project  
City of Carlsbad  
Pre-Approved ADU  
Program

revisions  
△  
△  
△  
△  
△

description  
Mechanical/  
Electrical/  
Plumbing  
Plans

date 05 May 2023

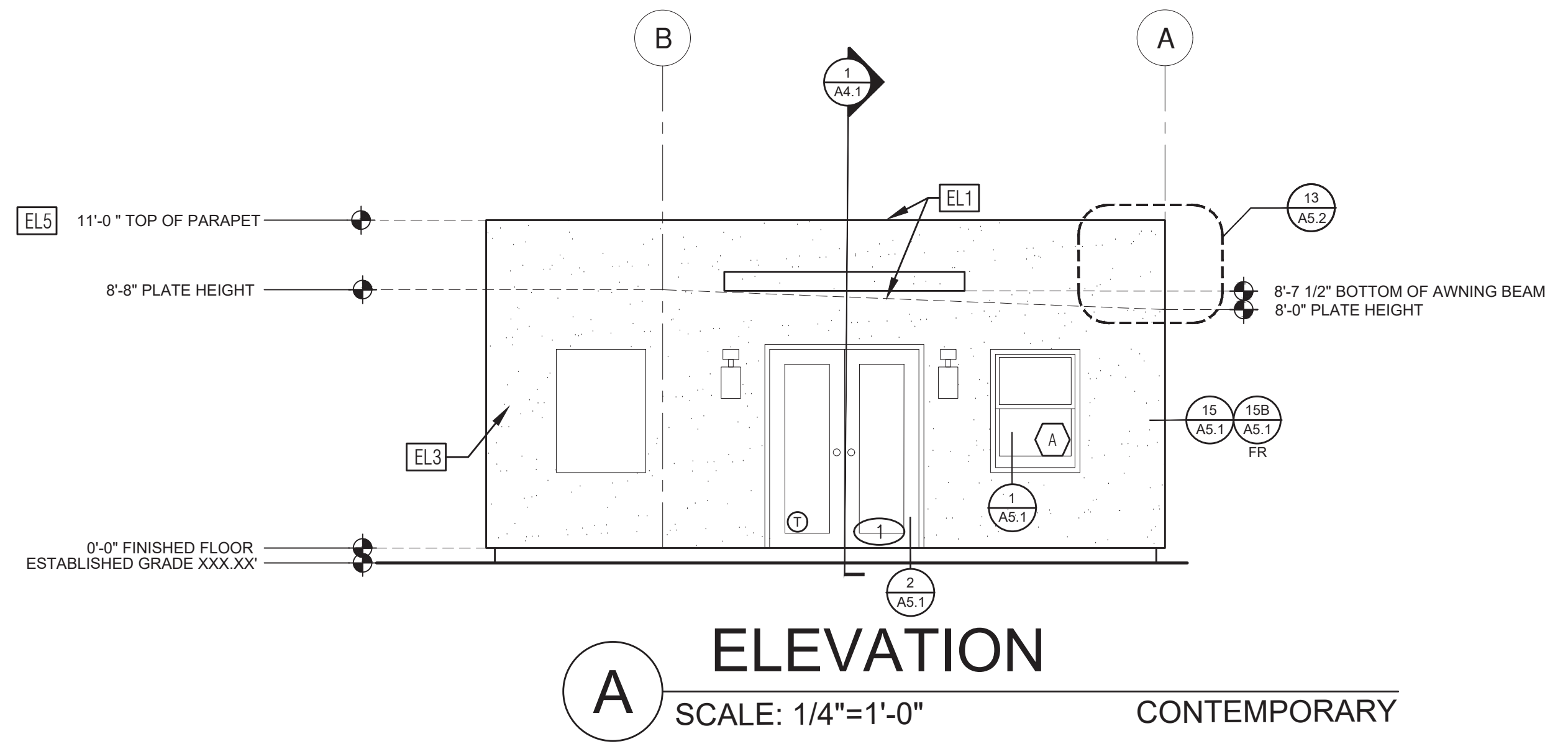
project no. 2022\_Carlsbad\_ADU

drawn by Design Path Studio

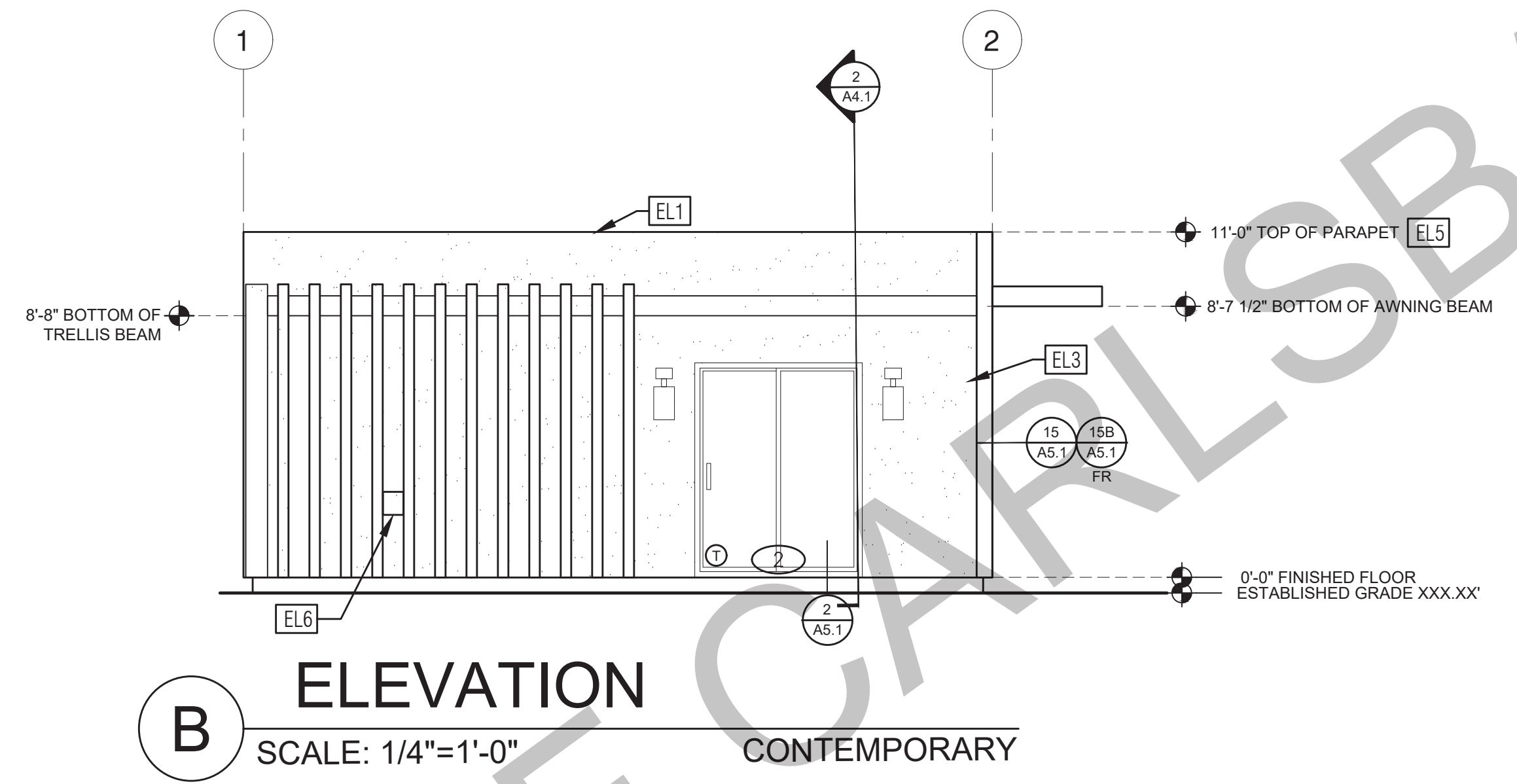
sheet no. A2.1



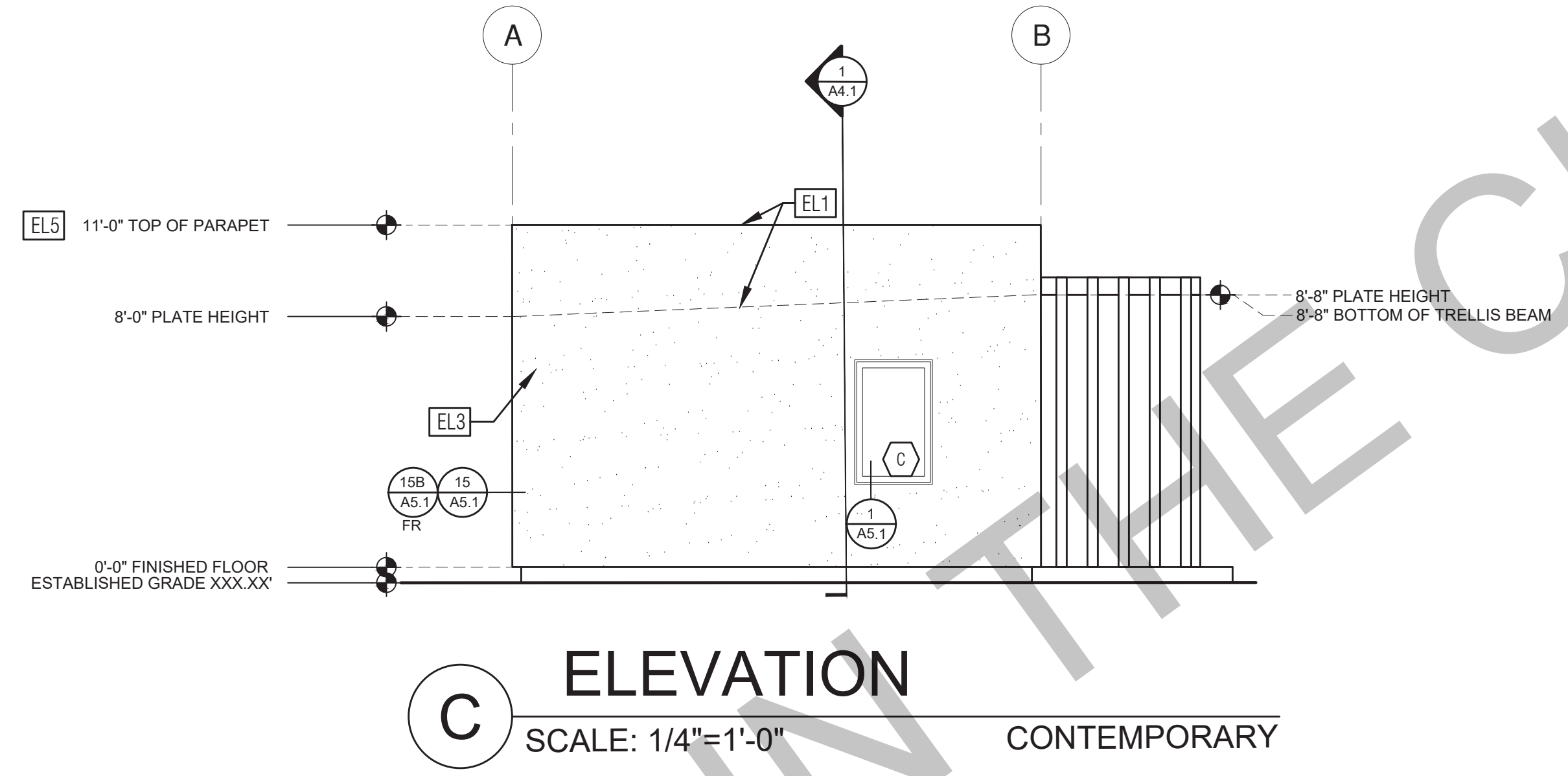
BY USING THESE PERMIT READY CONSTRUCTION DOCUMENTS, THE RECIPIENT ACKNOWLEDGES, ACCEPTS AND VOLUNTARILY AFFIRMS THE FOLLOWING CONDITIONS:  
1. THE USE OF THIS INFORMATION IS RESTRICTED TO THE ORIGINAL PROJECT FOR WHICH IT WAS PREPARED FOR THE PERMIT READY ACCESSORY DWELLING UNIT (ADU) PROGRAM FOR THE CITY OF CARLSBAD ONLY. THIS IS A LIMITED SET OF STANDARDIZED ADU PLANS AND SPECIFICATIONS APPROVED BY THE CITY OF CARLSBAD BUILDING DEPARTMENT. BUILDING CODES DO CHANGE OVER TIME AND RECIPIENT SHALL ENSURE FULL COMPLIANCE UNDER ALL CODES THEN IN EFFECT AT THE TIME OF THE SUBJECT PERMIT. THIS DOES NOT ELIMINATE OR REDUCE THE RECIPIENT'S RESPONSIBILITY TO VERIFY ANY AND ALL INFORMATION RELEVANT TO THE RECIPIENT'S WORK AND RESPONSIBILITY ON THIS PROJECT. DESIGN PATH STUDIO SHALL NOT BE RESPONSIBLE FOR TRANSLATION ERRORS. DO NOT USE THESE CONSTRUCTION DOCUMENTS IF THE PERMIT HAS EXPIRED OR IS REVOKED AT ALL.  
2. THE RECIPIENT RECOGNIZES AND ACKNOWLEDGES THAT THE USE OF THIS INFORMATION WILL BE AT THEIR SOLE RISK AND WITHOUT ANY LIABILITY OR LEGAL EXPOSURE TO DESIGN PATH STUDIO. NO WARRANTIES OF ANY NATURE, WHETHER EXPRESS OR IMPLIED, SHALL ATTACH TO THESE DOCUMENTS AND THE INFORMATION CONTAINED THEREON. ANY USE, REUSE, OR ALTERATION OF THESE DOCUMENTS BY THE RECIPIENT OR BY OTHERS WILL BE AT THE RECIPIENT'S RISK AND FULL LEGAL RESPONSIBILITY. FURTHERMORE, THE RECIPIENT WILL, TO THE FULLEST EXTENT PERMITTED BY LAW, DEFEND, INDEMNIFY AND HOLD DESIGN PATH STUDIO AND ITS ARCHITECTS HARMLESS FROM ANY AND ALL CLAIMS, SUITS, LIABILITY, DEMANDS, JUDGMENTS, OR COSTS ARISING OUT OF OR RESULTING THERE FROM ANY USE OF THESE CONSTRUCTION DOCUMENTS FOR OR ON ACCOUNT OF ANY INJURY, DEATH, DAMAGE OR LOSS TO PERSONS OR PROPERTY, DIRECT OR CONSEQUENTIAL DAMAGES IN ANY AMOUNT. THIS INDEMNITY DOES NOT APPLY TO THE SOLE NEGLIGENCE OR WILLFUL MISCONDUCT OF DESIGN PATH STUDIO OR ITS ARCHITECTS.  
3. THE DESIGNS REPRESENTED BY THESE PLANS ARE COPYRIGHTED AND ARE SUBJECT TO COPYRIGHT PROTECTION.  
4. IF THE RECIPIENT DOES NOT AGREE WITH THE ABOVE CONDITIONS, DO NOT PROCEED WITH CONSTRUCTION OF AN ADU OR OTHER IMPROVEMENT UNDER THESE PLANS AT ALL.



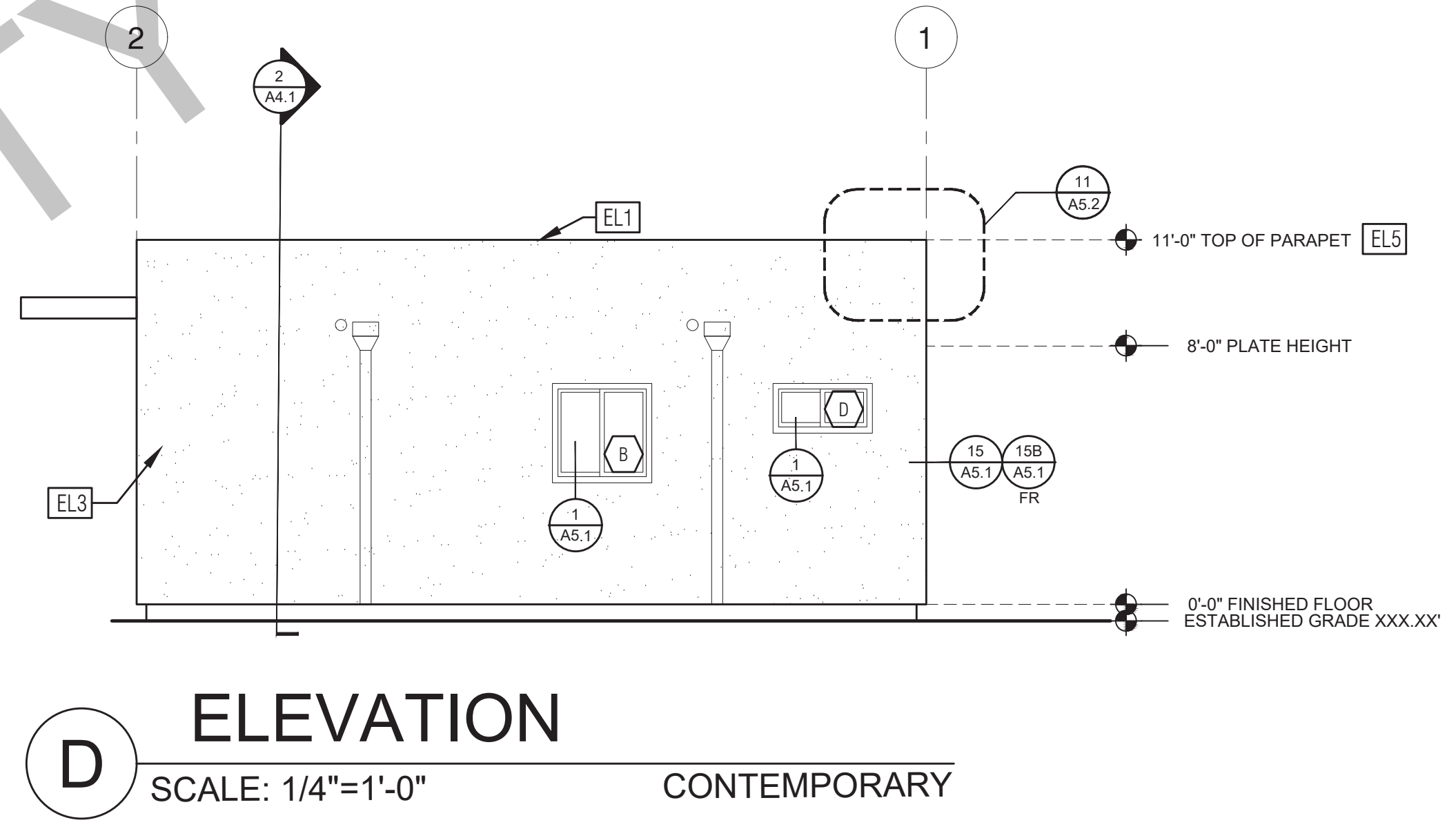
**A** ELEVATION  
SCALE: 1/4"=1'-0"  
CONTEMPORARY



**B** ELEVATION  
SCALE: 1/4"=1'-0"  
CONTEMPORARY



**C** ELEVATION  
SCALE: 1/4"=1'-0"  
CONTEMPORARY



**D** ELEVATION  
SCALE: 1/4"=1'-0"  
CONTEMPORARY

ELEVATION KEYNOTES	
EL1	MINIMUM CLASS A ROOF ASSEMBLY - SEE SHEET T1.1 FOR MANUFACTURER SPECIFICATIONS
EL2	SIDING
EL3	STUCCO
EL4	STONE VENEER
EL5	HEIGHT IS MEASURED AT THE BUILDING FINISH FLOOR, OVERALL BUILDING HEIGHT WILL VARY ACCORDING TO PROPOSED GRADE
EL6	DRYER VENT TERMINATION (MINIMUM OF 3 FT FROM ANY OPENING)

ELEVATION GENERAL NOTES	
1. ALL DIMENSIONS TO FINISH FACE, U.N.O.	7. FRAMING ELEVATIONS, INCLUDING FLOOR PLATES AND FLOOR LEVEL ELEVATIONS ARE MEASURED FROM BUILDING FINISH FLOOR, U.N.O.
2. ALL DOORS SHOULD BE 3 1/2" FROM NEAREST INTERSECTING WALL AT HINGED SIDE, U.N.O.	8. SEE ROOF PLAN FOR APPROXIMATE DOWNSPOUT LOCATIONS, U.N.O.
3. WRITTEN DIMENSIONS TO PREVAIL OVER SCALING OF DRAWINGS. SUBCONTRACTOR TO VERIFY ALL DIM. PRIOR TO CONSTRUCTION AND IMMEDIATELY NOTIFY ARCHITECT OF ANY DISCREPANCIES.	10. CONTRACTOR TO VERIFY COLOR SCHEME WITH OWNER BEFORE PERFORMING THE WORK
4. REFER TO FRAMING PLANS, FLOOR PLANS, AND SECTIONS FOR CLARIFICATION AND DIMENSIONS	
5. SEE SCHEDULE FOR DOOR AND WINDOW INFORMATION AND HEIGHTS	
6. LATH & PLASTER A. MATERIALS FOR PLASTER IS TO BE THE STANDARD PRODUCTS OF RECOGNIZED MANUFACTURERS, AND SHALL BE AS MANUFACTURED BY US GYPSUM CO. AND APPROVED BY THE LATH AND PLASTER INSTIGAT OR APPROVED EQUAL. B. ALL PLASTER CORNER BEADS, CASING BEADS, CONTROL JOINTS, EXPANSION SCREEDS AND ACCESSORIES ARE TO BE GALVANIZED. PROVIDE CASING BEADS AT ALL JOINTS OF STUCCO TO DISSIMILAR SURFACES UNLESS OTHERWISE NOTED. C. WHERE INDICATED ON THE DRAWINGS, PORTLAND CEMENT PLASTER IS TO BE HAND APPLIED (3) THREE COAT WORK, 7/8" THICK ON EXTERIOR SURFACES. THE COATS ARE TO CONSIST OF A SCRATCH (3/8" AND A TWO COAT FINISH (1/8" MIN.) COAT PROPORTIONED AND MIXED ADS RECOMMENDED BY THE CALIFORNIA LATHING AND PLASTERING CONTRACTORS ASSOCIATION.	

LEGEND			
	SECTION CUT		KEYNOTE
	ELEVATION CALLOUT		DOOR SYMBOL
	DETAIL DRAWING REF.		WINDOW SYMBOL
	ELEVATION MARKER		TEMPERED GLASS
			SPRAY FIN. STUCCO
			BOARD & BATTEN
			ROOFING

project  
City of Carlsbad  
Pre-Approved ADU  
Program

revisions  
△  
△  
△  
△  
△

description  
Exterior  
Elevations  
Contemporary  
Studio

date 05 May 2023

project no. 2022\_Carlsbad\_ADU

drawn by Design Path Studio

sheet no.

**A3.1**



BY USING THESE PERMIT READY CONSTRUCTION DOCUMENTS, THE RECIPIENT ACKNOWLEDGES, ACCEPTS AND VOLUNTARILY AFFIRMS THE FOLLOWING CONDITIONS:  
1. THE USE OF THIS INFORMATION IS RESTRICTED TO THE ORIGINAL PROJECT FOR WHICH IT WAS PREPARED FOR THE PERMIT READY ACCESSORY DWELLING UNIT (ADU) PROGRAM FOR THE CITY OF CARLSBAD ONLY. THIS IS A LIMITED SET OF STANDARDIZED ADU PLANS AND SPECIFICATIONS APPROVED BY THE CITY OF CARLSBAD BUILDING DEPARTMENT. BUILDING CODES DO CHANGE OVER TIME AND RECIPIENT SHALL ENSURE FULL COMPLIANCE UNDER ALL CODES THEN IN EFFECT AT THE TIME OF THE SUBJECT PERMIT. THIS DOES NOT ELIMINATE OR REDUCE THE RECIPIENT'S RESPONSIBILITY TO VERIFY ANY AND ALL INFORMATION RELEVANT TO THE RECIPIENT'S WORK AND RESPONSIBILITY ON THIS PROJECT. DESIGN PATH STUDIO SHALL NOT BE RESPONSIBLE FOR TRANSLATION ERRORS. DO NOT USE THESE CONSTRUCTION DOCUMENTS IF THE PERMIT HAS EXPIRED OR IS REVOKED AT ALL.  
2. THE RECIPIENT RECOGNIZES AND ACKNOWLEDGES THAT THE USE OF THIS INFORMATION WILL BE AT THEIR SOLE RISK AND WITHOUT ANY LIABILITY OR LEGAL EXPOSURE TO DESIGN PATH STUDIO. NO WARRANTIES OF ANY NATURE, WHETHER EXPRESS OR IMPLIED, SHALL ATTACH TO THESE DOCUMENTS AND THE INFORMATION CONTAINED THEREON. ANY USE, REUSE, OR ALTERATION OF THESE DOCUMENTS BY THE RECIPIENT OR BY OTHERS WILL BE AT THE RECIPIENT'S RISK AND FULL LEGAL RESPONSIBILITY. FURTHERMORE, THE RECIPIENT WILL, TO THE FULLEST EXTENT PERMITTED BY LAW, DEFEND, INDEMNIFY AND HOLD DESIGN PATH STUDIO AND ITS ARCHITECTS HARMLESS FROM ANY AND ALL CLAIMS, SUITS, LIABILITY, DEMANDS, JUDGMENTS, OR COSTS ARISING OUT OF OR RESULTING THERE FROM ANY USE OF THESE CONSTRUCTION DOCUMENTS FOR OR ON ACCOUNT OF ANY INJURY, DEATH, DAMAGE OR LOSS TO PERSONS OR PROPERTY, DIRECT OR CONSEQUENTIAL DAMAGES IN ANY AMOUNT. THIS INDEMNITY DOES NOT APPLY TO THE SOLE NEGLIGENCE OR WILLFUL MISCONDUCT OF DESIGN PATH STUDIO OR ITS ARCHITECTS.  
3. THE DESIGNS REPRESENTED BY THESE PLANS ARE COPYRIGHTED AND ARE SUBJECT TO COPYRIGHT PROTECTION.  
4. IF THE RECIPIENT DOES NOT AGREE WITH THE ABOVE CONDITIONS, DO NOT PROCEED WITH CONSTRUCTION OF AN ADU OR OTHER IMPROVEMENT UNDER THESE PLANS AT ALL.

project  
City of Carlsbad  
Pre-Approved ADU  
Program

revisions  
△  
△  
△  
△  
△

description  
Exterior  
Elevations  
Farmhouse  
Studio

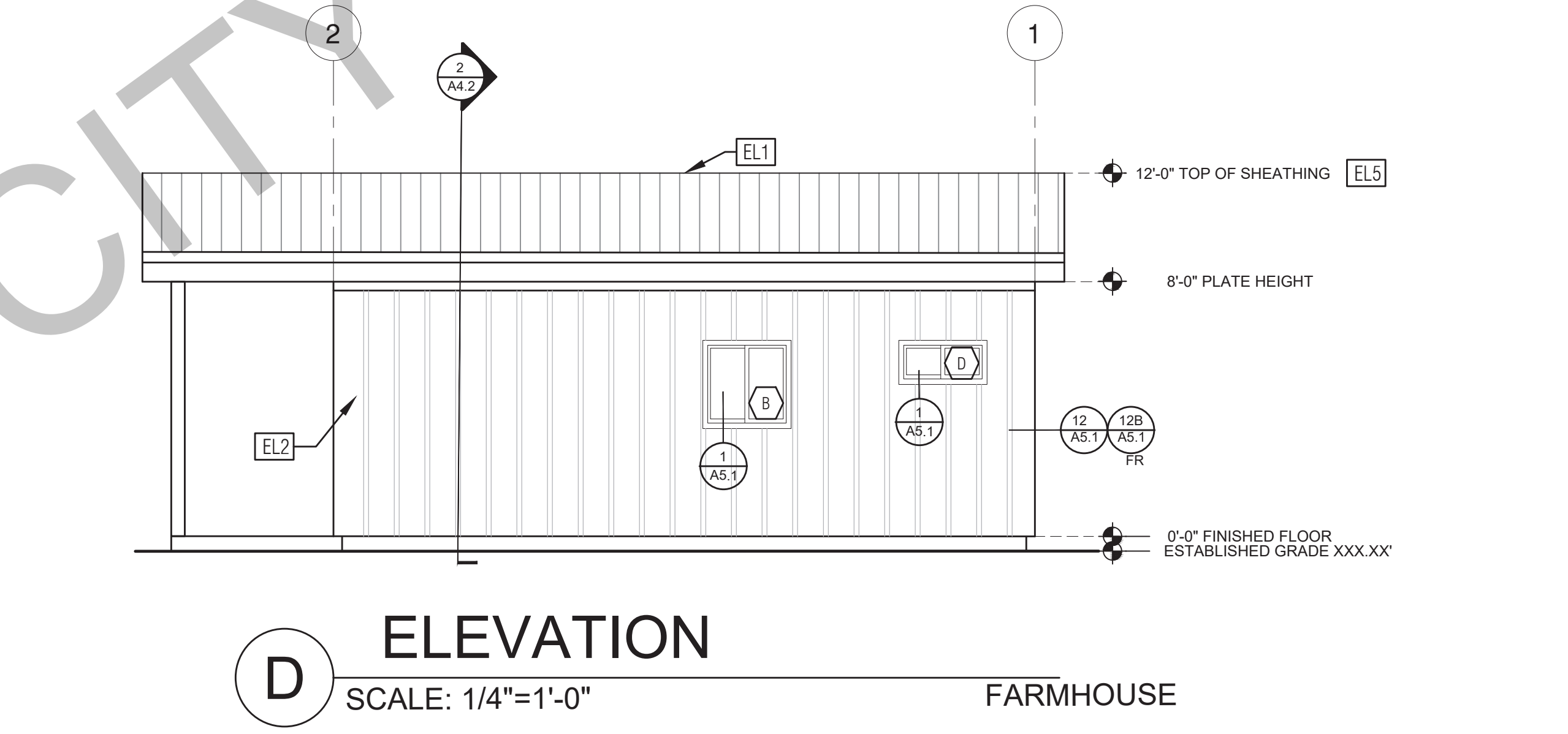
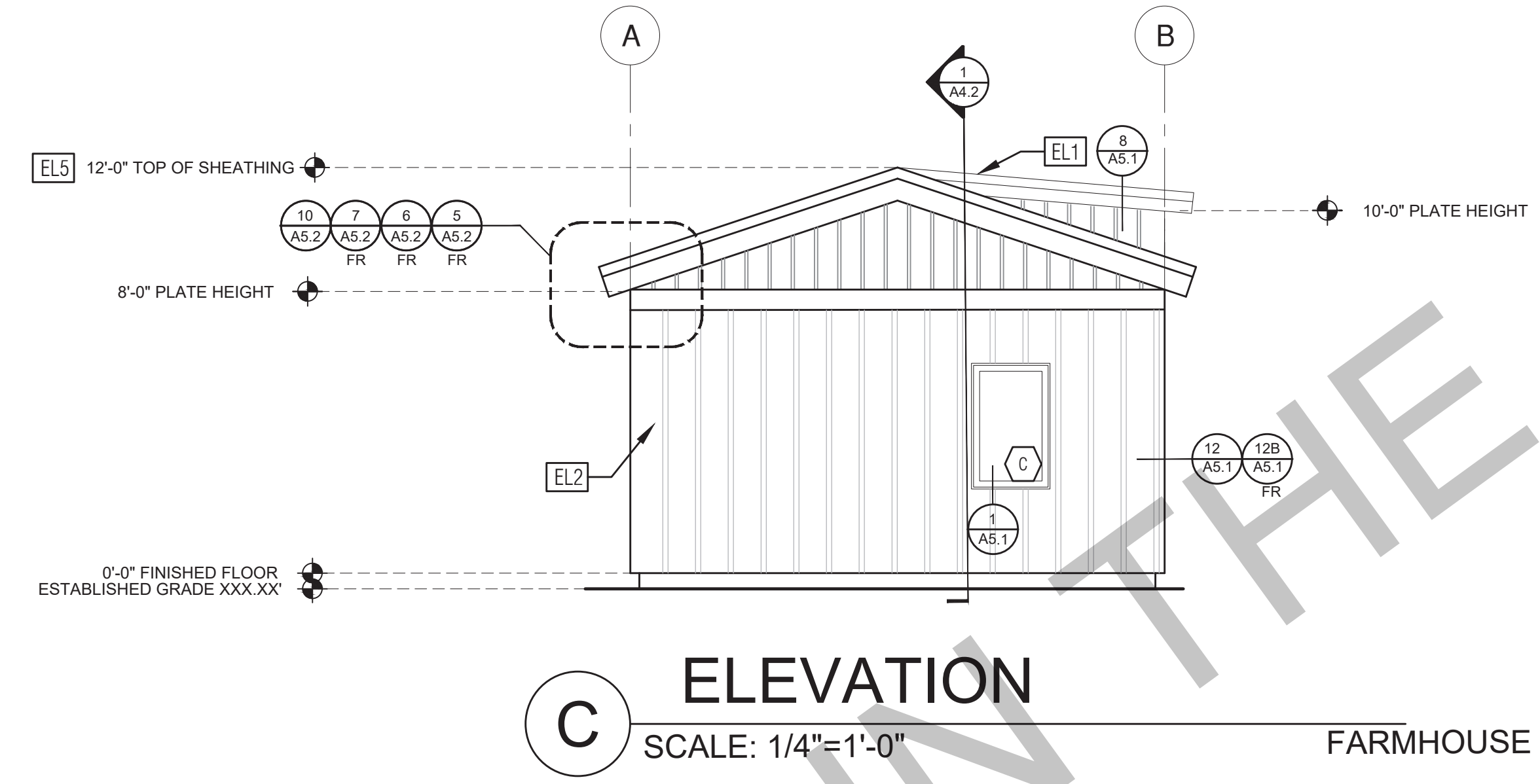
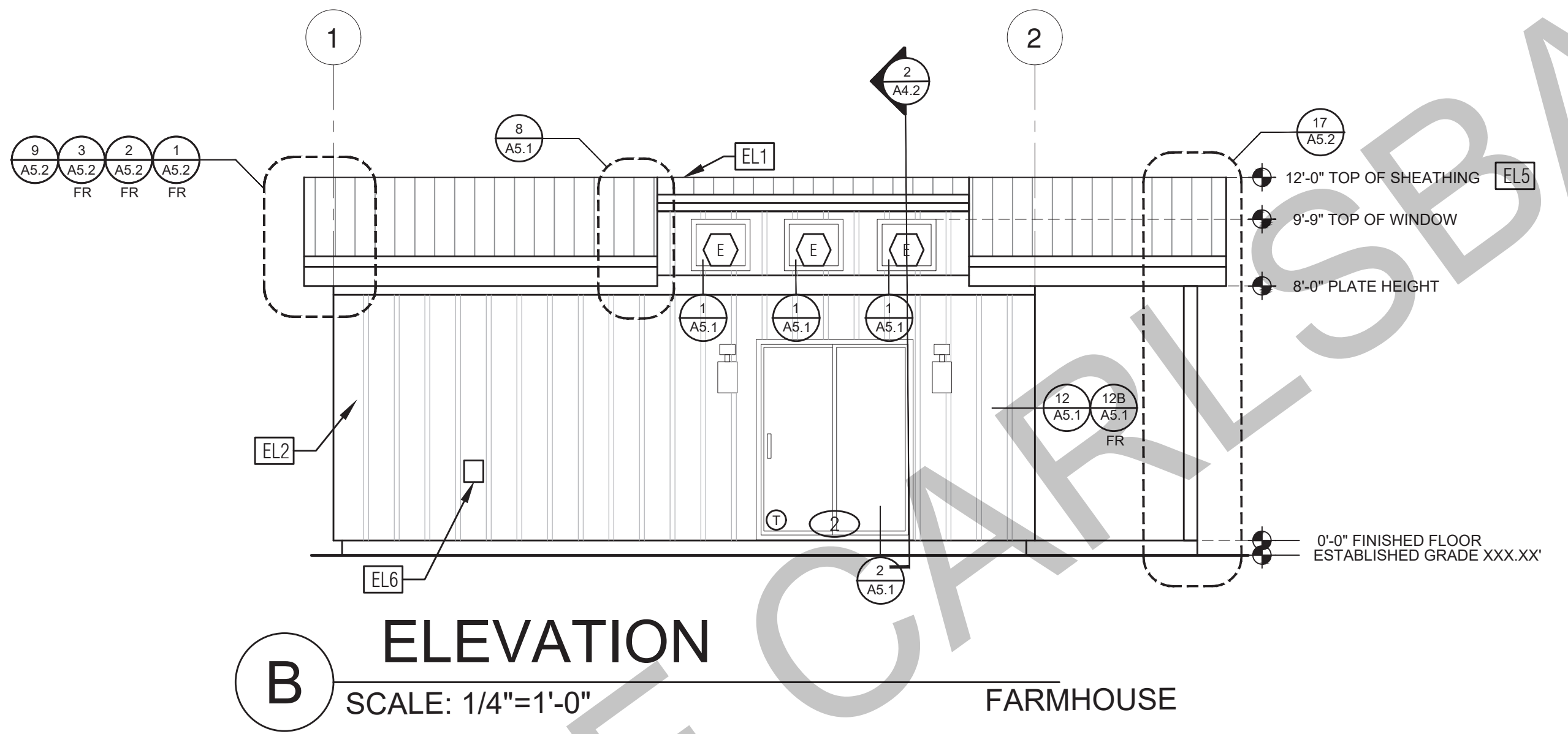
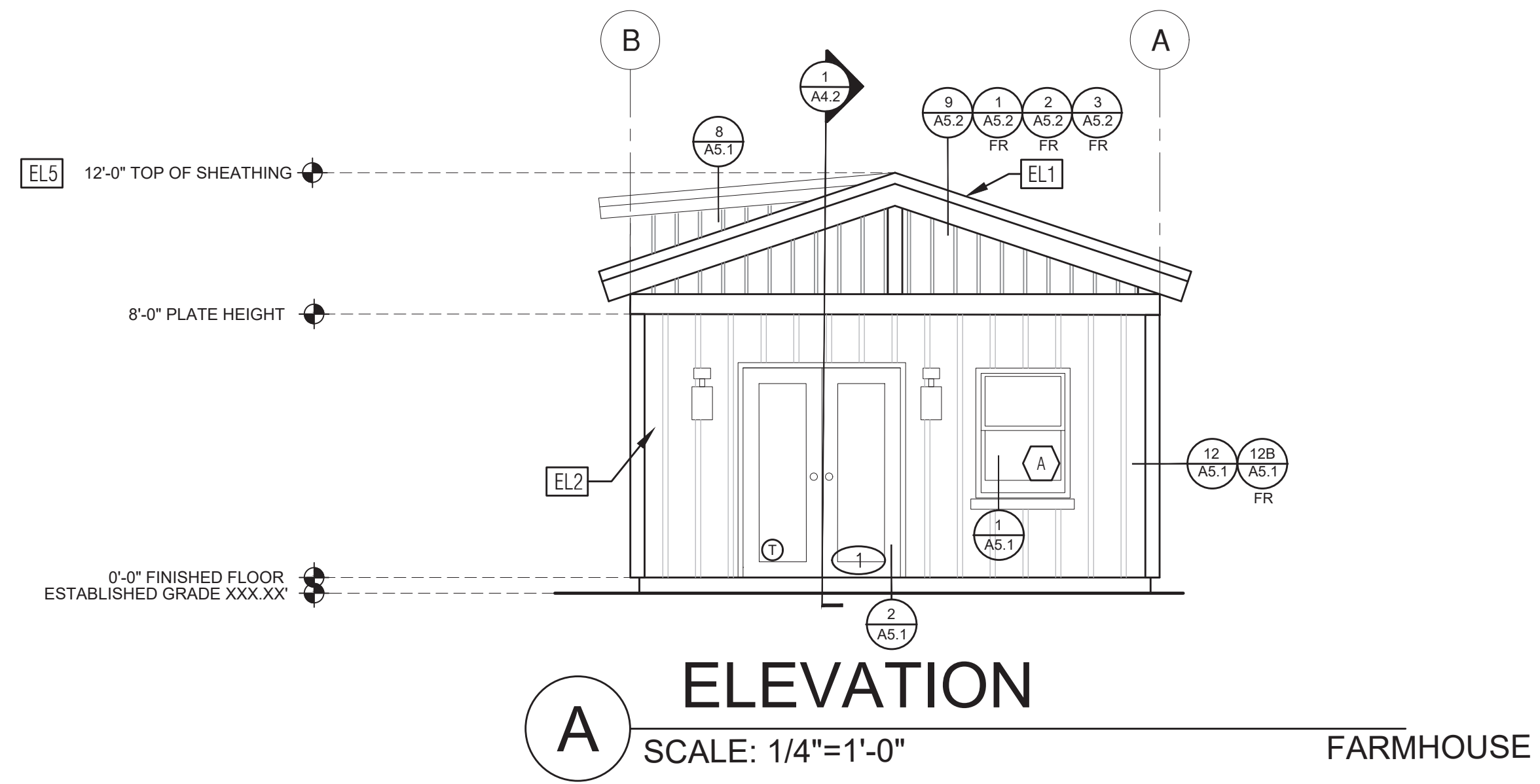
date 05 May 2023

project no. 2022\_Carlsbad\_ADU

drawn by Design Path Studio

sheet no.

A3.2

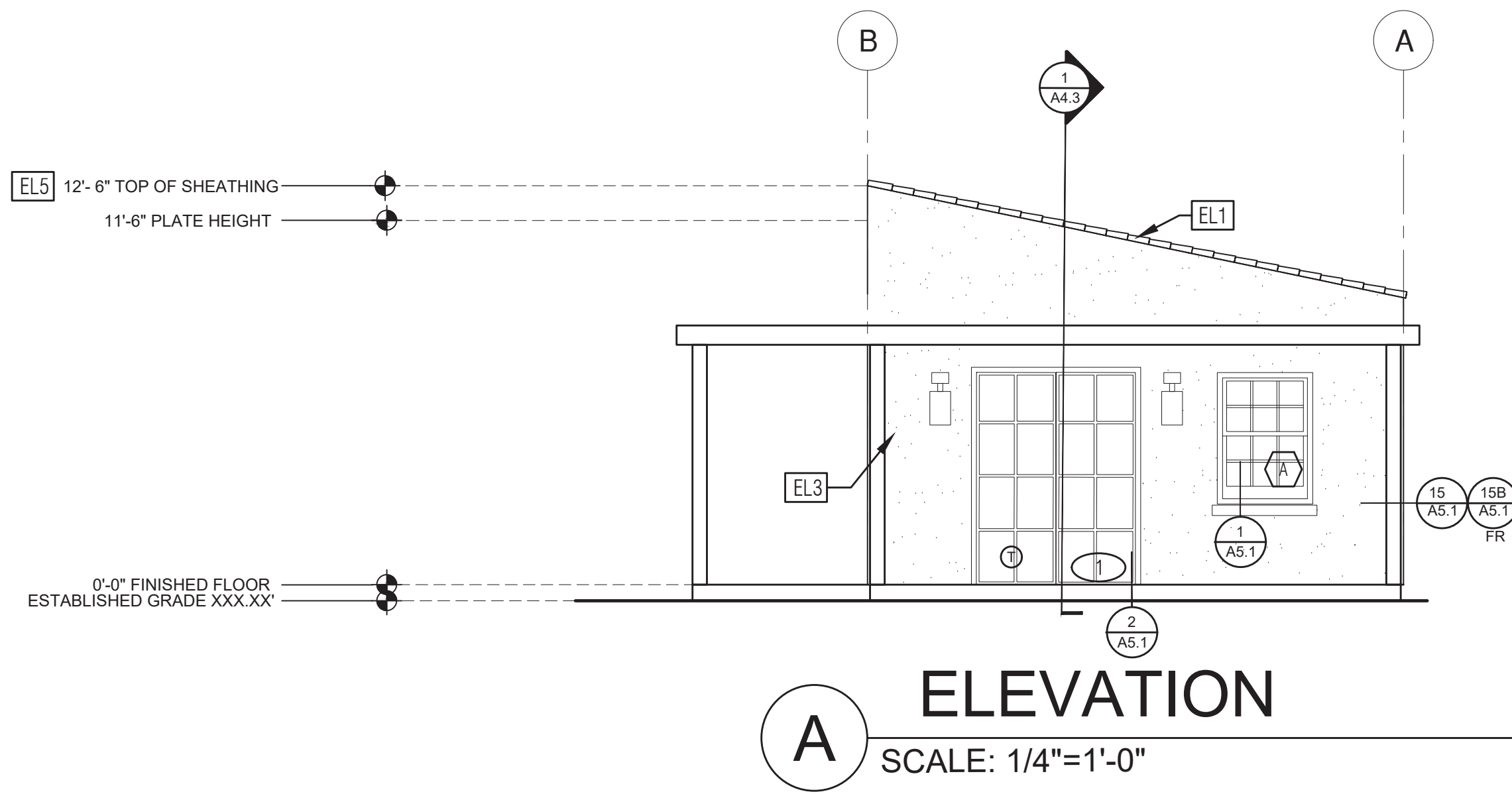


ELEVATION KEYNOTES
EL1 MINIMUM CLASS A ROOF ASSEMBLY - SEE SHEET T1.1 FOR MANUFACTURER SPECIFICATIONS
EL2 SIDING
EL3 STUCCO
EL4 STONE VENEER
EL5 HEIGHT IS MEASURED AT THE BUILDING FINISH FLOOR, OVERALL BUILDING HEIGHT WILL VARY ACCORDING TO PROPOSED GRADE
EL6 DRYER VENT TERMINATION (MINIMUM OF 3 FT FROM ANY OPENING)

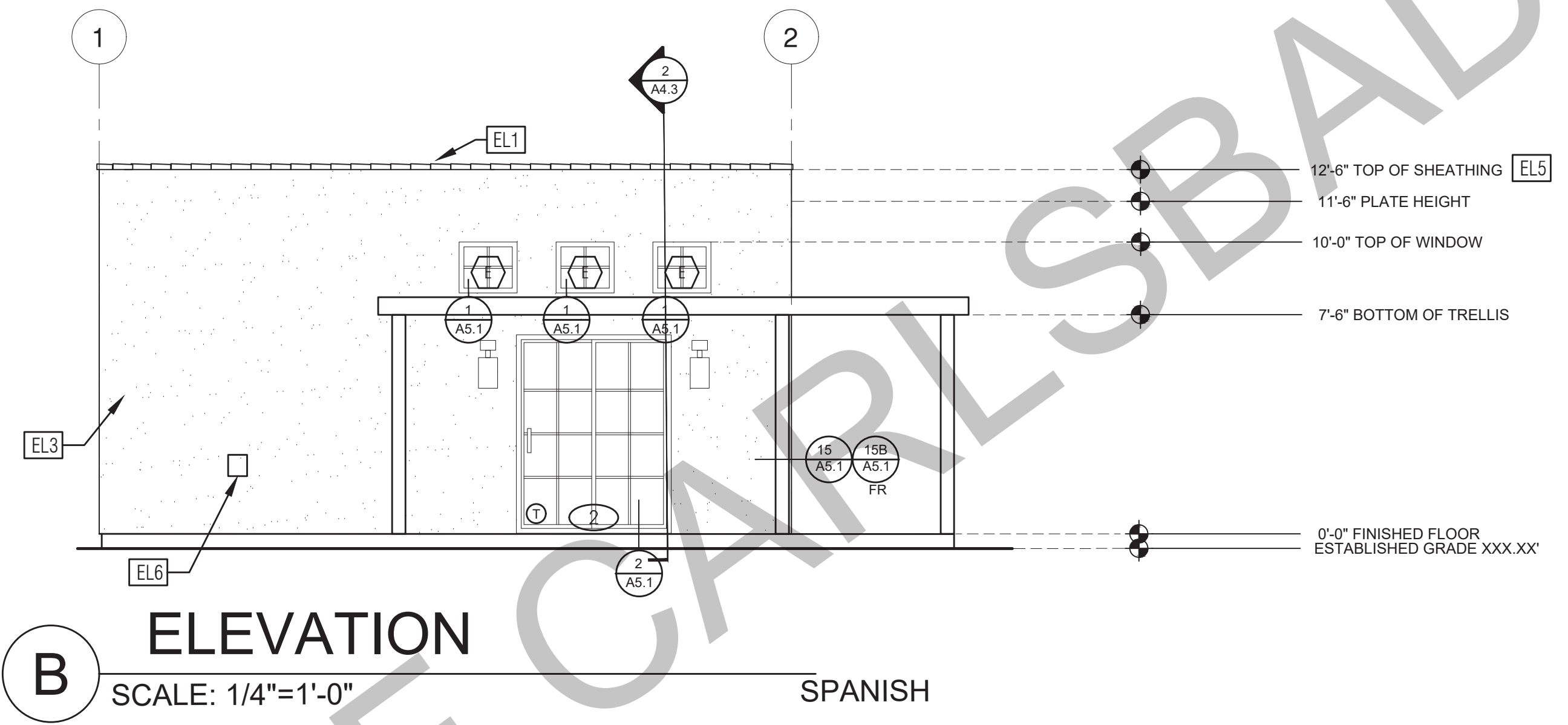
ELEVATION GENERAL NOTES	
1. ALL DIMENSIONS TO FINISH FACE, U.N.O.	7. FRAMING ELEVATIONS, INCLUDING FLOOR PLATES AND FLOOR LEVEL ELEVATIONS ARE MEASURED FROM BUILDING FINISH FLOOR, U.N.O.
2. ALL DOORS SHOULD BE 3 1/2" FROM NEAREST INTERSECTING WALL AT HINGED SIDE, U.N.O.	8. SEE ROOF PLAN FOR APPROXIMATE DOWNSPOUT LOCATIONS, U.N.O.
3. WRITTEN DIMENSIONS TO PREVAIL OVER SCALING OF DRAWINGS. SUBCONTRACTOR TO VERIFY ALL DIM. PRIOR TO CONSTRUCTION AND IMMEDIATELY NOTIFY ARCHITECT OF ANY DISCREPANCIES.	10. CONTRACTOR TO VERIFY COLOR SCHEME WITH OWNER BEFORE PERFORMING THE WORK
4. REFER TO FRAMING PLANS, FLOOR PLANS, AND SECTIONS FOR CLARIFICATION AND DIMENSIONS	
5. SEE SCHEDULE FOR DOOR AND WINDOW INFORMATION AND HEIGHTS	
6. LATH & PLASTER	
A. MATERIALS FOR PLASTER IS TO BE THE STANDARD PRODUCTS OF RECOGNIZED MANUFACTURERS, AND SHALL BE AS MANUFACTURED BY US GYPSUM CO. AND APPROVED BY THE LATH AND PLASTER INSTIGAT OR APPROVED EQUAL	
B. ALL PLASTER CORNER BEADS, CASING BEADS, CONTROL JOINTS, EXPANSION SCREEDS AND ACCESSORIES ARE TO BE GALVANIZED. PROVIDE CASING BEADS AT ALL JOINTS OF STUCCO TO DISSIMILAR SURFACES UNLESS OTHERWISE NOTED	
C. WHERE INDICATED ON THE DRAWINGS, PORTLAND CEMENT PLASTER IS TO BE HAND APPLIED (3) THREE COAT WORK, 7/8" THICK ON EXTERIOR SURFACES. THE COATS ARE TO CONSIST OF A SCRATCH (3/8" AND A TWO COAT FINISH (1/8" MIN.) COAT PROPORTIONED AND MIXED ADS RECOMMENDED BY THE CALIFORNIA LATHING AND PLASTERING CONTRACTORS ASSOCIATION.	

LEGEND		
SECTION CUT	KEYNOTE	SPRAY FIN. STUCCO
ELEVATION CALLOUT	DOOR SYMBOL	BOARD & BATTEN
DETAIL DRAWING REF.	WINDOW SYMBOL	ROOFING
ELEVATION MARKER	TEMPERED GLASS	

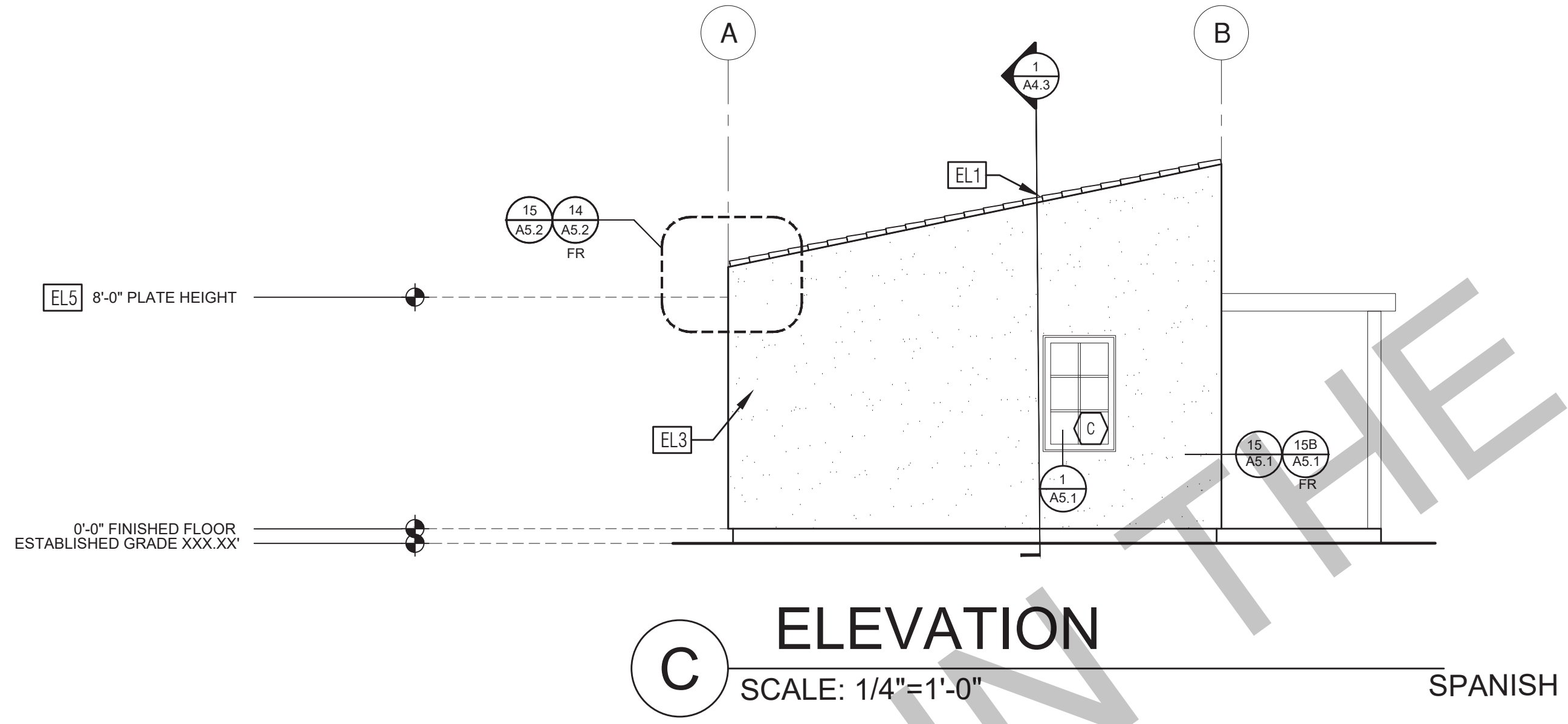




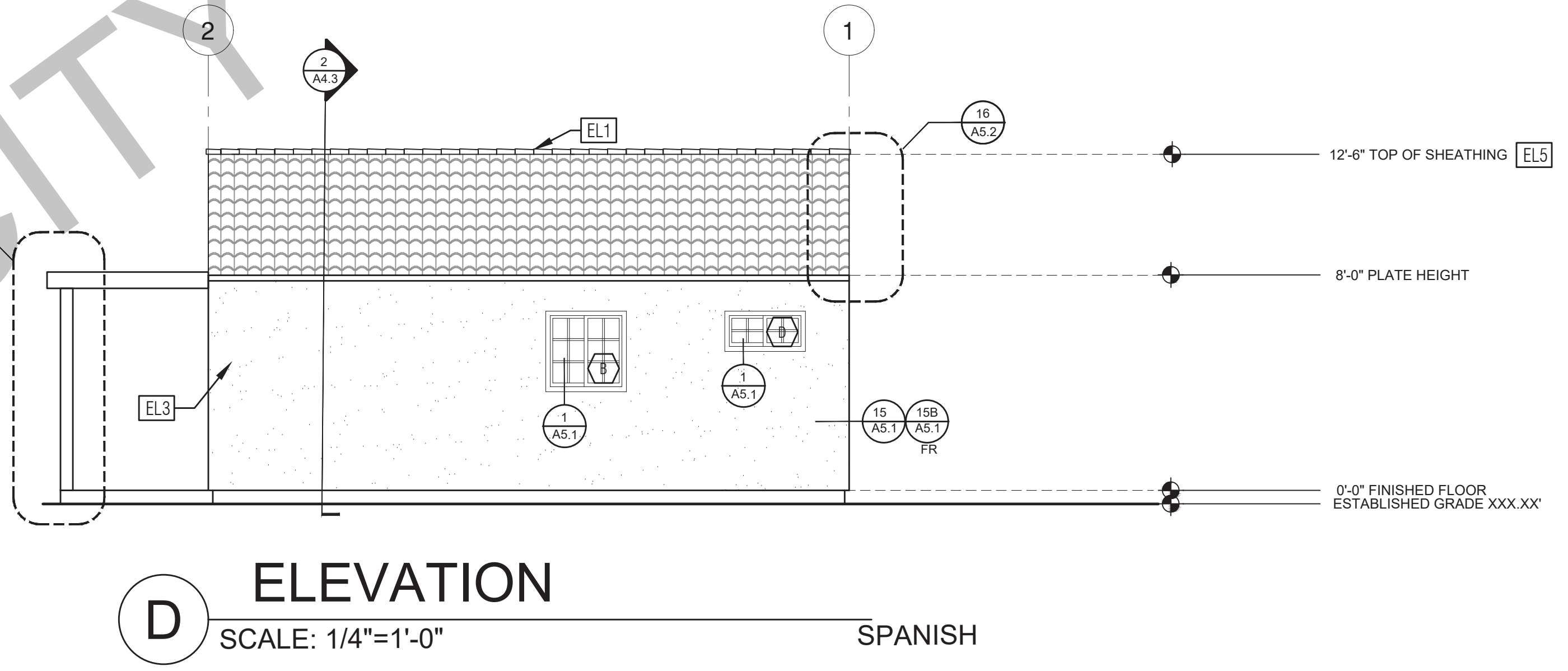
**A ELEVATION**  
SCALE: 1/4"=1'-0" SPANISH



**B ELEVATION**  
SCALE: 1/4"=1'-0" SPANISH



**C ELEVATION**  
SCALE: 1/4"=1'-0" SPANISH



**D ELEVATION**  
SCALE: 1/4"=1'-0" SPANISH

ELEVATION KEYNOTES	
EL1	MINIMUM CLASS A ROOF ASSEMBLY - SEE SHEET T1.1 FOR MANUFACTURER SPECIFICATIONS
EL2	SIDING
EL3	STUCCO
EL4	STONE VENEER
EL5	HEIGHT IS MEASURED AT THE BUILDING FINISH FLOOR, OVERALL BUILDING HEIGHT WILL VARY ACCORDING TO PROPOSED GRADE
EL6	DRYER VENT TERMINATION (MINIMUM OF 3 FT FROM ANY OPENING)

ELEVATION GENERAL NOTES	
1. ALL DIMENSIONS TO FINISH FACE, U.N.O.	7. FRAMING ELEVATIONS, INCLUDING FLOOR PLATES AND FLOOR LEVEL ELEVATIONS ARE MEASURED FROM BUILDING FINISH FLOOR, U.N.O.
2. ALL DOORS SHOULD BE 3/12" FROM NEAREST INTERSECTING WALL AT HINGED SIDE, U.N.O.	8. SEE ROOF PLAN FOR APPROXIMATE DOWNSPOUT LOCATIONS, U.N.O.
3. WRITTEN DIMENSIONS TO PREVAIL OVER SCALING OF DRAWINGS. SUBCONTRACTOR TO VERIFY ALL DIM. PRIOR TO CONSTRUCTION AND IMMEDIATELY NOTIFY ARCHITECT OF ANY DISCREPANCIES.	10. CONTRACTOR TO VERIFY COLOR SCHEME WITH OWNER BEFORE PERFORMING THE WORK
4. REFER TO FRAMING PLANS, FLOOR PLANS, AND SECTIONS FOR CLARIFICATION AND DIMENSIONS	
5. SEE SCHEDULE FOR DOOR AND WINDOW INFORMATION AND HEIGHTS	
6. LATH & PLASTER A. MATERIALS FOR PLASTER IS TO BE THE STANDARD PRODUCTS OF RECOGNIZED MANUFACTURERS, AND SHALL BE AS MANUFACTURED BY US GYPSUM CO. AND APPROVED BY THE LATH AND PLASTER INSTIGAT OR APPROVED EQUAL. B. ALL PLASTER CORNER BEADS, CASING BEADS, CONTROL JOINTS, EXPANSION SCREEDS AND ACCESSORIES ARE TO BE GALVANIZED. PROVIDE CASING BEADS AT ALL JOINTS OF STUCCO TO DISSIMILAR SURFACES UNLESS OTHERWISE NOTED. C. WHERE INDICATED ON THE DRAWINGS, PORTLAND CEMENT PLASTER IS TO BE HAND APPLIED (3) THREE COAT WORK, 7/8" THICK ON EXTERIOR SURFACES. THE COATS ARE TO CONSIST OF A SCRATCH (3/8" AND A TWO COAT FINISH (1/8" MIN.) COAT PROPORTIONED AND MIXED ADS RECOMMENDED BY THE CALIFORNIA LATHING AND PLASTERING CONTRACTORS ASSOCIATION.	

LEGEND			
	SECTION CUT		KEYNOTE
	ELEVATION CALLOUT		DOOR SYMBOL
	DETAIL DRAWING REF.		WINDOW SYMBOL
	ELEVATION MARKER		TEMPERED GLASS
			SPRAY FIN. STUCCO
			BOARD & BATTEN
			ROOFING

BY USING THESE PERMIT READY CONSTRUCTION DOCUMENTS, THE RECIPIENT ACKNOWLEDGES, ACCEPTS AND VOLUNTARILY AFFIRMS THE FOLLOWING CONDITIONS:  
1. THE USE OF THIS INFORMATION IS RESTRICTED TO THE ORIGINAL PROJECT FOR WHICH IT WAS PREPARED FOR THE PERMIT READY ACCESSORY DWELLING UNIT (ADU) PROGRAM FOR THE CITY OF CARLSBAD ONLY. THIS IS A LIMITED SET OF STANDARDIZED ADU PLANS AND SPECIFICATIONS APPROVED BY THE CITY OF CARLSBAD BUILDING DEPARTMENT. BUILDING CODES DO CHANGE OVER TIME AND RECIPIENT SHALL ENSURE FULL COMPLIANCE UNDER ALL CODES THEN IN EFFECT AT THE TIME OF THE SUBJECT PERMIT. THIS DOES NOT ELIMINATE OR REDUCE THE RECIPIENT'S RESPONSIBILITY TO VERIFY ANY AND ALL INFORMATION RELEVANT TO THE RECIPIENT'S WORK AND RESPONSIBILITY ON THIS PROJECT. DESIGN PATH STUDIO SHALL NOT BE RESPONSIBLE FOR TRANSLATION ERRORS. DO NOT USE THESE CONSTRUCTION DOCUMENTS IF THE PERMIT HAS EXPIRED OR IS REVOKED AT ALL.  
2. THE RECIPIENT RECOGNIZES AND ACKNOWLEDGES THAT THE USE OF THIS INFORMATION WILL BE AT THEIR SOLE RISK AND WITHOUT ANY LIABILITY OR LEGAL EXPOSURE TO DESIGN PATH STUDIO. NO WARRANTIES OF ANY NATURE, WHETHER EXPRESS OR IMPLIED, SHALL ATTACH TO THESE DOCUMENTS AND THE INFORMATION CONTAINED THEREON. ANY USE, REUSE, OR ALTERATION OF THESE DOCUMENTS BY THE RECIPIENT OR BY OTHERS WILL BE AT THE RECIPIENT'S RISK AND FULL LEGAL RESPONSIBILITY. FURTHERMORE, THE RECIPIENT WILL, TO THE FULLEST EXTENT PERMITTED BY LAW, DEFEND, INDEMNIFY AND HOLD DESIGN PATH STUDIO AND ITS ARCHITECTS HARMLESS FROM ANY AND ALL CLAIMS, SUITS, LIABILITY, DEMANDS, JUDGMENTS, OR COSTS ARISING OUT OF OR RESULTING THERE FROM ANY USE OF THESE CONSTRUCTION DOCUMENTS FOR OR ON ACCOUNT OF ANY INJURY, DEATH, DAMAGE OR LOSS TO PERSONS OR PROPERTY, DIRECT OR CONSEQUENTIAL DAMAGES IN ANY AMOUNT. THIS INDEMNITY DOES NOT APPLY TO THE SOLE NEGLIGENCE OR WILLFUL MISCONDUCT OF DESIGN PATH STUDIO OR ITS ARCHITECTS.  
3. THE DESIGNS REPRESENTED BY THESE PLANS ARE COPYRIGHTED AND ARE SUBJECT TO COPYRIGHT PROTECTION.  
4. IF THE RECIPIENT DOES NOT AGREE WITH THE ABOVE CONDITIONS, DO NOT PROCEED WITH CONSTRUCTION OF AN ADU OR OTHER IMPROVEMENT UNDER THESE PLANS AT ALL.

project  
City of Carlsbad  
Pre-Approved ADU  
Program

revisions  
△  
△  
△  
△  
△

description  
Exterior  
Elevations  
Spanish  
Studio

date 05 May 2023

project no. 2022\_Carlsbad\_ADU

drawn by Design Path Studio

sheet no.

**A3.3**



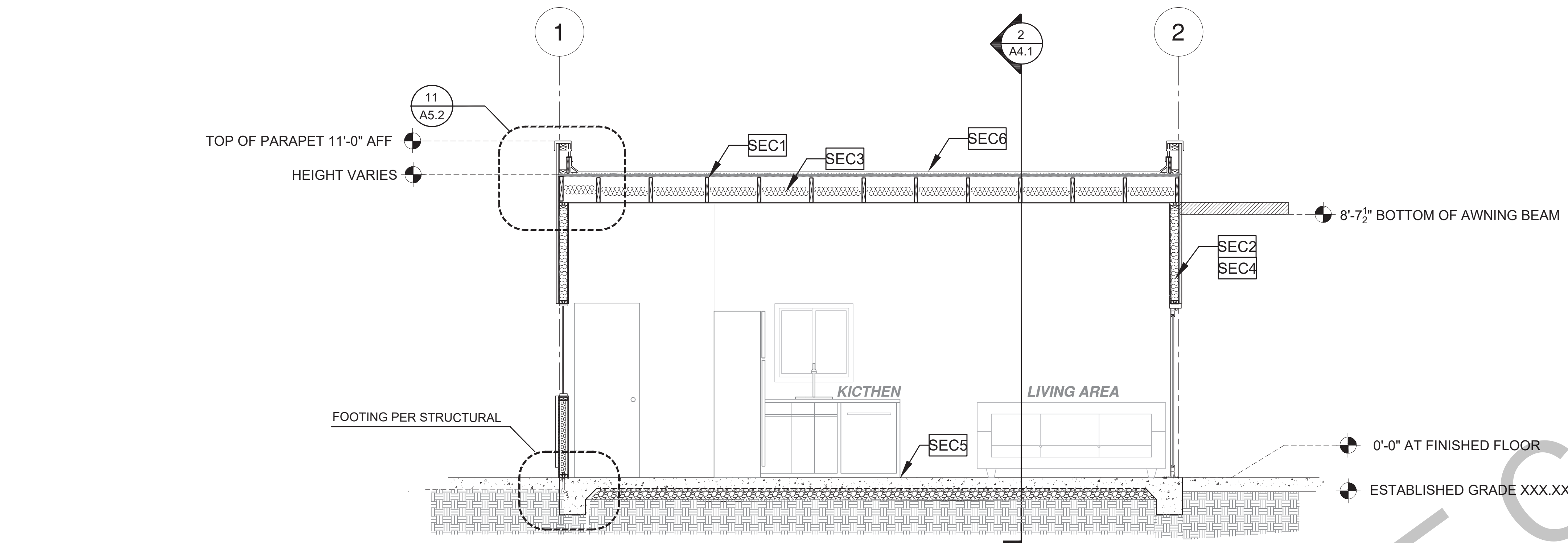
BY USING THESE PERMIT READY CONSTRUCTION DOCUMENTS, THE RECIPIENT ACKNOWLEDGES, ACCEPTS AND VOLUNTARILY AFFIRMS THE FOLLOWING CONDITIONS:  
1. THE USE OF THIS INFORMATION IS RESTRICTED TO THE ORIGINAL PROJECT FOR WHICH IT WAS PREPARED FOR THE PERMIT READY ACCESSORY DWELLING UNIT (ADU) PROGRAM FOR THE CITY OF CARLSBAD ONLY. THIS IS A LIMITED SET OF STANDARDIZED ADU PLANS AND SPECIFICATIONS APPROVED BY THE CITY OF CARLSBAD BUILDING DEPARTMENT. BUILDING CODES DO CHANGE OVER TIME AND RECIPIENT SHALL ENSURE FULL COMPLIANCE UNDER ALL CODES THEN IN EFFECT AT THE TIME OF THE SUBJECT PERMIT. THIS DOES NOT ELIMINATE OR REDUCE THE RECIPIENT'S RESPONSIBILITY TO VERIFY ANY AND ALL INFORMATION RELEVANT TO THE RECIPIENT'S WORK AND RESPONSIBILITY ON THIS PROJECT. DESIGN PATH STUDIO SHALL NOT BE RESPONSIBLE FOR TRANSLATION ERRORS. DO NOT USE THESE CONSTRUCTION DOCUMENTS IF THE PERMIT HAS EXPIRED OR IS REVOKED AT ALL.  
2. THE RECIPIENT RECOGNIZES AND ACKNOWLEDGES THAT THE USE OF THIS INFORMATION WILL BE AT THEIR SOLE RISK AND WITHOUT ANY LIABILITY OR LEGAL EXPOSURE TO DESIGN PATH STUDIO. NO WARRANTIES OF ANY NATURE, WHETHER EXPRESS OR IMPLIED, SHALL ATTACH TO THESE DOCUMENTS AND THE INFORMATION CONTAINED THEREON. ANY USE, REUSE, OR ALTERATION OF THESE DOCUMENTS BY THE RECIPIENT OR BY OTHERS WILL BE AT THE RECIPIENT'S RISK AND FULL LEGAL RESPONSIBILITY. FURTHERMORE, THE RECIPIENT WILL, TO THE FULLEST EXTENT PERMITTED BY LAW, DEFEND, INDEMNIFY AND HOLD DESIGN PATH STUDIO AND ITS ARCHITECTS HARMLESS FROM ANY AND ALL CLAIMS, SUITS, LIABILITY, DEMANDS, JUDGMENTS, OR COSTS ARISING OUT OF OR RESULTING THERE FROM ANY USE OF THESE CONSTRUCTION DOCUMENTS FOR OR ON ACCOUNT OF ANY INJURY, DEATH, DAMAGE OR LOSS TO PERSONS OR PROPERTY, DIRECT OR CONSEQUENTIAL DAMAGES IN ANY AMOUNT. THIS INDEMNITY DOES NOT APPLY TO THE SOLE NEGLIGENCE OR WILFUL MISCONDUCT OF DESIGN PATH STUDIO OR ITS ARCHITECTS.  
3. THE DESIGNS REPRESENTED BY THESE PLANS ARE COPYRIGHTED AND ARE SUBJECT TO COPYRIGHT PROTECTION.  
4. IF THE RECIPIENT DOES NOT AGREE WITH THE ABOVE CONDITIONS, DO NOT PROCEED WITH CONSTRUCTION OF AN ADU OR OTHER IMPROVEMENT UNDER THESE PLANS AT ALL.

project  
City of Carlsbad  
Pre-Approved ADU  
Program

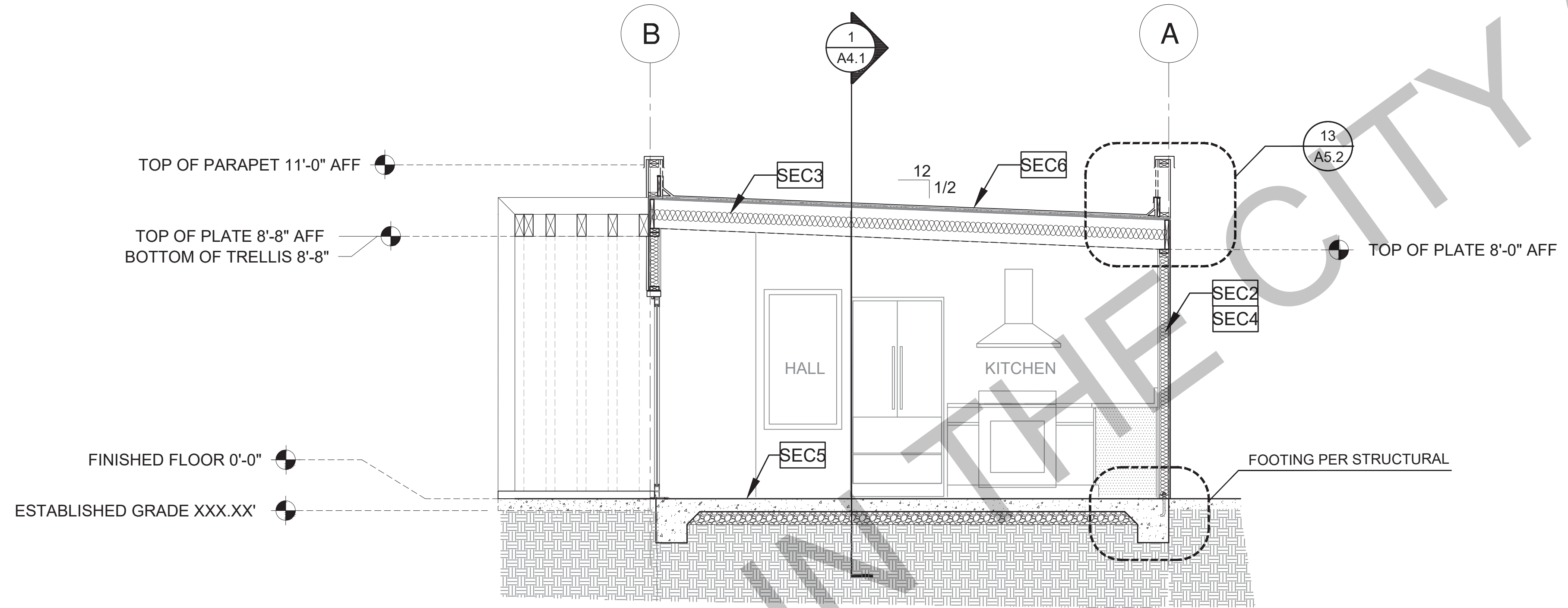
revisions  
△  
△  
△  
△  
△  
description  
Building  
Sections  
Contemporary  
Studio

date 05 May 2023  
project no. 2022\_Carlsbad\_ADU  
drawn by Design Path Studio  
sheet no.

A4.1



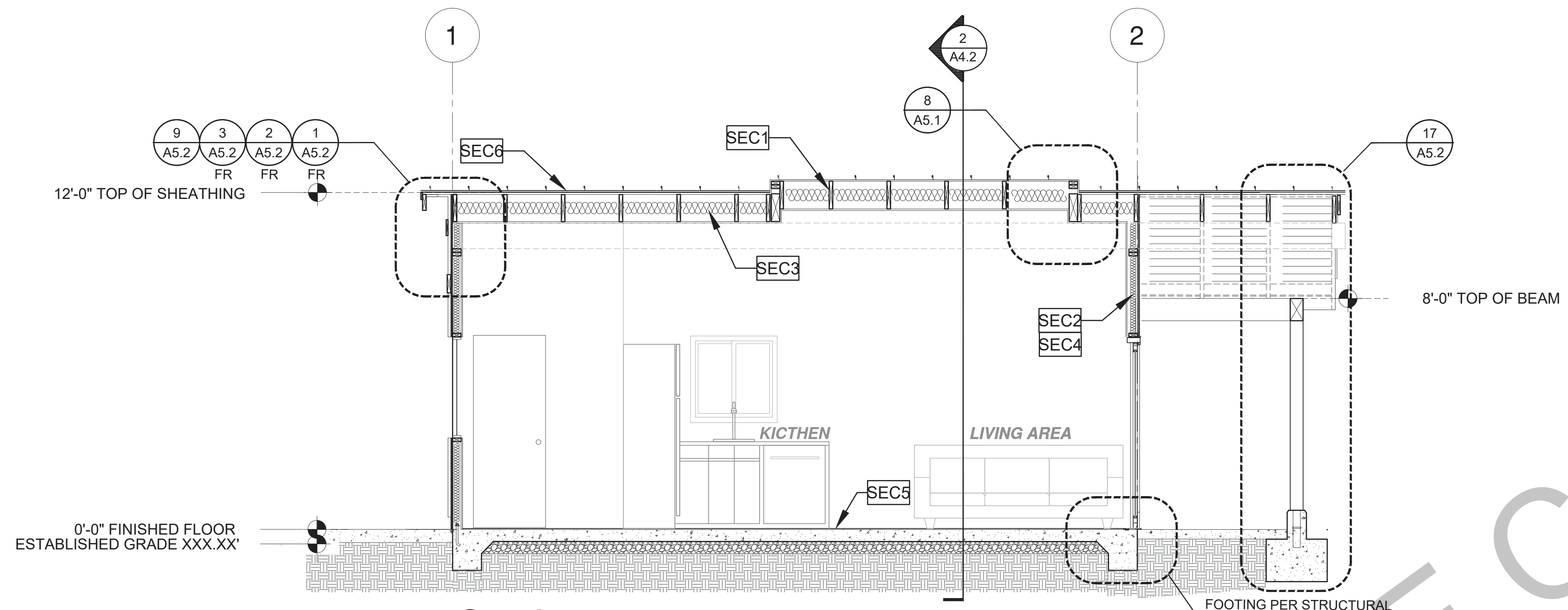
1 Section  
SCALE: 3/8"=1'-0"  
CONTEMPORARY



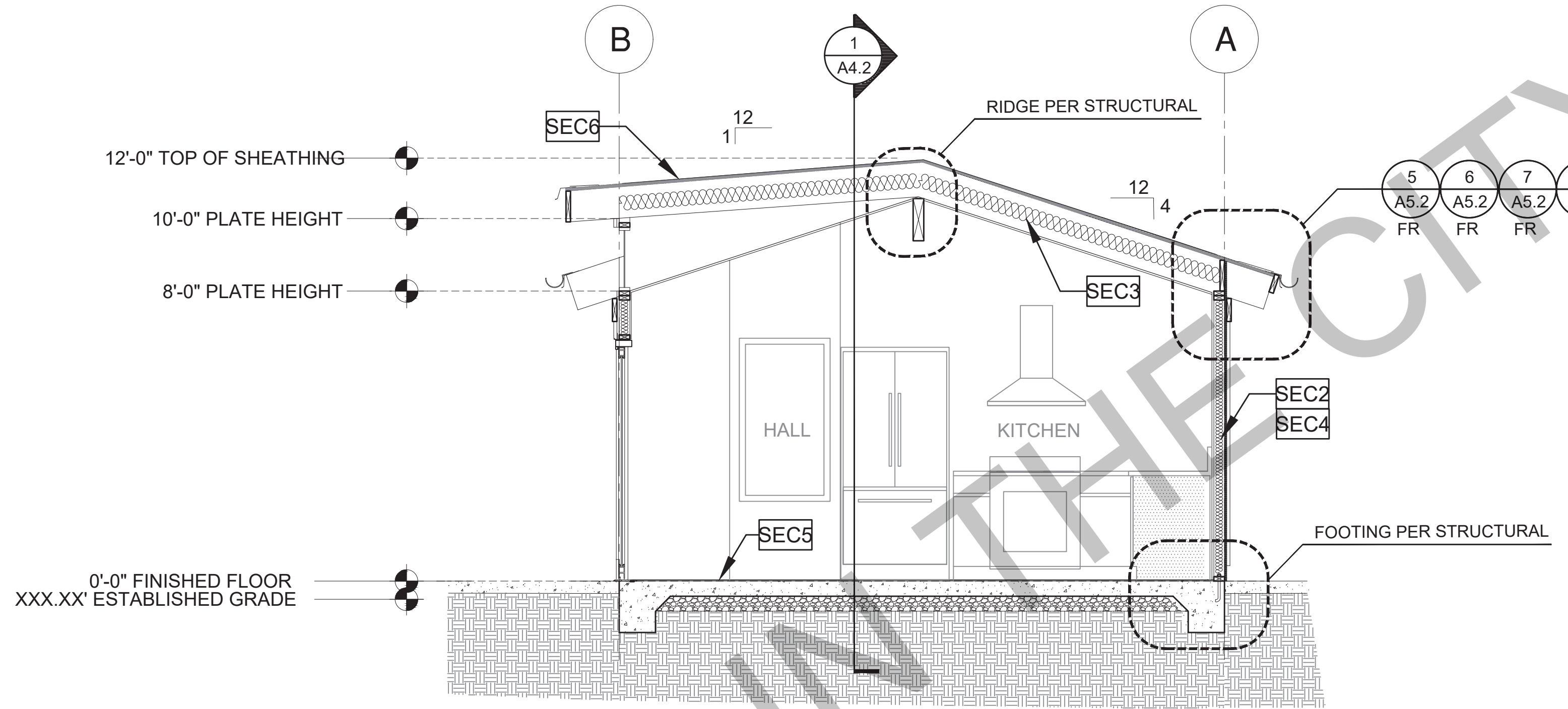
2 SECTION  
SCALE: 3/8"=1'-0"  
CONTEMPORARY

SECTION KEYNOTES	SECTION GENERAL NOTES	LEGEND
<p><b>SEC1</b> RAFTERS PER PLAN SEE STRUCTURAL</p> <p><b>SEC2</b> 2X STUDS @ 16" O.C. - SEE STRUCTURAL</p> <p><b>SEC3</b> CEILING INSULATION PER TITLE 24 ENERGY CALCULATIONS</p> <p><b>SEC4</b> WALL INSULATION PER TITLE 24 ENERGY CALCULATIONS</p> <p><b>SEC5</b> CONC. SLAB ON GRADE SEE STRUCTURAL</p> <p><b>SEC6</b> MINIMUM CLASS A ROOF ASSEMBLY - SEE SHEET T1.1 FOR MANUFACTURER SPECIFICATIONS</p>	<p>1. METALS SEE PLANS AND DETAILS FOR LOCATIONS, QUANTITY AND CONFIGURATION OF MISCELLANEOUS IRON AND STEEL WORK INCLUDING ASSORTED CLIPS, BRACKETS, ANGLES, STRAPS, POST ANCHORS AND LIKE ITEMS. FURNISH AND INSTALL ALL SUCH ITEMS NECESSARY TO MAKE A COMPLETE INSTALLATION WHETHER OR NOT SPECIFICALLY DETAILED OR NOTED ON THE DRAWINGS. ALL EXTERIOR METAL AND HARDWARE IS TO BE GALVANIZED. STEEL IS TO BE ASTM A3.</p> <p>2. RAFTER VENTS ARE TO BE STAINLESS STEEL MESH AND ARE TO BE SIZED TO MEET REQUIRED VENTILATION TO ENCLOSED RAFTER SPACES. MAX 1/2" MIN 1/8" OPENING SIZE ON VENT SCREEN WITH CORROSION-RESISTANT WIRE SCREEN MATERIAL.</p> <p>3. FRAMER IS TO LAYOUT CEILING JOISTS/ROOF RAFTERS TO ACCOMMODATE RECESSED LIGHTS EXHAUST FANS OR OTHER ELECTRICAL/MECHANICAL FIXTURES.</p> <p>4. WOOD SOFFIT/CEILING, SIDING &amp; TRIM ALL NAILS, FASTENERS AND HARDWARE MUST BE STAINLESS STEEL OR HOT-DIPPED GALVANIZED. STAPLES ARE NOT PERMITTED.</p> <p>5. INSULATION THERMAL INSULATION IS TO BE FOIL BACKED BATT INSULATION WITH AN R VALUE NOT LESS SPECIFIED IN THE TITLE 24 ENERGY CALCULATIONS. AT BATHROOMS, LAUNDRY ROOM, AND MASTER BED/BATHROOMS INSULATION IS TO BE PROVIDED WITH SOUND INSULATION.</p> <p>6. FLASHING AND SHEET METAL ALL FLASHING AND COUNTER FLASHING IS TO BE GALVANIZED AND INSTALLED AS PER SMACNA STANDARDS. ALL PROPOSED FLASHING AND SHEET METAL MATERIALS, GAUGE AND INSTALLATION IS TO BE IN ACCORDANCE WITH SMACNA MANUAL STANDARDS.</p> <p>7. THE PURPOSE OF THESE DRAWINGS IS TO SHOW CONSTRUCTION MATERIALS/ASSEMBLIES. FOR SPECIFIC SIZES AND DETAILS REFER TO ARCHITECTURAL PLANS, ELEVATIONS, DETAILS, AND STRUCTURAL PLANS. *KEYNOTES ONLY APPLY IF REFERENCED ON PLANS</p> <p>8. AT INTERCONNECTIONS BETWEEN CONCEALED VERTICAL AND HORIZONTAL SPACES SUCH AS SOFFITS, DROP CEILINGS AND COVE CEILINGS</p> <p>9. IN CONCEALED SPACES BETWEEN STAIR STRINGERS AT THE TOP AND BOTTOM OF THE RUN, ENCLOSED SPACES UNDER STAIRS SHALL COMPLY WITH SECTION R302.7.</p> <p>10. AT OPENINGS AROUND VENTS, PIPES, DUCTS, CABLES AND WIRES AT CEILINGS AND FLOOR LEVEL, WITH AN APPROVED MATERIAL TO RESIST THE FREE PASSAGE OF FLAME PRODUCTS OF COMBUSTION. THE MATERIAL FILLING THIS ANNULAR SPACE SHALL NOT BE REQUIRED TO MEET THE ASTM E136 REQUIREMENTS</p> <p>11. FOR THE FIREBLOCKING OF CHIMNEYS AND FIREPLACES, SEE SECTION R1003.19</p> <p>12. FIREBLOCKING OF CORNICES OF A TWO-FAMILY DWELLING IS REQUIRED AT THE LINE OF DWELLING-UNIT SEPARATION</p> <p>13. SECTION R302.11.1 - FIREBLOCKING MATERIALS SHALL CONSIST OF FOLLOWING MATERIALS: 1. TWO-INCH NOMINAL LUMBER WITH BROKEN LAP JOINTS 2. TWO THICKNESS OF ONE-INCH NOMINAL LUMBER WITH BROKEN LAP JOINTS 3. THE THICKNESS OF 0.75-INCH WOOD STRUCTURAL PANELS WITH JOINTS BACKED BY 0.75-INCH WOOD STRUCTURAL PANELS 4. THE THICKNESS OF 0.75-INCH PARTICLE BOARD WITH JOINTS BACKED BY 0.75-INCH PARTICLE BOARD 5. ONE-HALF-INCH GYPSUM BOARD 6. ONE-FOURTH-INCH CEMENT-BASED MILLBOARD FIBER OR OTHER APPROVED MATERIAL INSTALLED IN SUCH A MANNER AS TO BE SECURELY RETAINED IN PLACE. 8. CELLULOSE INSULATION INSTALLED AS TESTED IN ACCORDANCE WITH ASTM E119 OR UL 263, FOR THE SPECIFIC APPLICATION</p>	<p><b>LEGEND</b></p> <p>SECTION CUT</p> <p>ELEVATION CALLOUT</p> <p>DETAIL DRAWING REF.</p> <p>ELEVATION MARKER</p>





**1 Section**  
SCALE: 3/8"=1'-0"  
FARMHOUSE



**2 SECTION**  
SCALE: 3/8"=1'-0"  
FARMHOUSE

SECTION KEYNOTES	SECTION GENERAL NOTES	LEGEND
<p><b>SEC1</b> RAFTERS PER PLAN SEE STRUCTURAL</p> <p><b>SEC2</b> 2X STUDS @ 16" O.C. - SEE STRUCTURAL</p> <p><b>SEC3</b> CEILING INSULATION PER TITLE 24 ENERGY CALCULATIONS</p> <p><b>SEC4</b> WALL INSULATION PER TITLE 24 ENERGY CALCULATIONS</p> <p><b>SEC5</b> CONC. SLAB ON GRADE SEE STRUCTURAL</p> <p><b>SEC6</b> MINIMUM CLASS A ROOF ASSEMBLY - SEE SHEET T1.1 FOR MANUFACTURER SPECIFICATIONS</p>	<p><b>1. METALS</b> SEE PLANS AND DETAILS FOR LOCATIONS, QUANTITY AND CONFIGURATION OF MISCELLANEOUS IRON AND STEEL WORK INCLUDING ASSORTED CLIPS, BRACKETS ANGLES, STRAPS, POST ANCHORS AND LIKE ITEMS FURNISH AND INSTALL ALL SUCH ITEMS NECESSARY TO MAKE A COMPLETE INSTALLATION WHETHER OR NOT SPECIFICALLY DETAILED OR NOTED ON THE DRAWINGS. ALL EXTERIOR METAL AND HARDWARE IS TO BE GALVANIZED. STEEL IS TO BE ASTM A3.</p> <p><b>2. RAFTER VENTS ARE TO BE STAINLESS STEEL MESH AND ARE TO BE SIZED TO MEET REQUIRED VENTILATION TO ENCLOSED RAFTER SPACES. MAX 1/2" MIN 1/8" OPENING SIZE ON VENT SCREEN WITH CORROSION-RESISTANT WIRE SCREEN MATERIAL.</b></p> <p><b>3. FRAMER IS TO LAYOUT CEILING JOISTS/ROOF RAFTERS TO ACCOMMODATE RECESSED LIGHTS EXHAUST FANS OR OTHER ELECTRICAL/MECHANICAL FIXTURES.</b></p> <p><b>4. WOOD SOFFIT/CEILING, SIDING &amp; TRIM ALL NAILS, FASTENERS AND HARDWARE MUST BE STAINLESS STEEL OR HOT-DIPPED GALVANIZED. STAPLES ARE NOT PERMITTED.</b></p> <p><b>5. INSULATION</b> THERMAL INSULATION IS TO BE FOIL BACKED BATT INSULATION WITH AN R VALUE NOT LESS SPECIFIED IN THE TITLE 24 ENERGY CALCULATIONS. AT BATHROOMS, LAUNDRY ROOM, AND MASTER BED/BATHROOMS INSULATION IS TO BE PROVIDED WITH SOUND INSULATION.</p> <p><b>6. FLASHING AND SHEET METAL</b> ALL FLASHING AND COUNTER FLASHING IS TO BE GALVANIZED AND INSTALLED AS PER SMACNA STANDARDS. ALL PROPOSED FLASHING AND SHEET METAL MATERIALS, GAUGE AND INSTALLATION IS TO BE IN ACCORDANCE WITH SMACNA MANUAL STANDARDS.</p> <p><b>7. THE PURPOSE OF THESE DRAWINGS IS TO SHOW CONSTRUCTION MATERIALS/ASSEMBLIES. FOR SPECIFIC SIZES AND DETAILS REFER TO ARCHITECTURAL PLANS, ELEVATIONS, DETAILS, AND STRUCTURAL PLANS.</b> *KEYNOTES ONLY APPLY IF REFERENCED ON PLANS</p> <p><b>3. INSULATION</b> REFER TO TITLE 24 REPORT FOR ADDITIONAL RATINGS, REQUIREMENTS, AND INFORMATION</p> <p><b>4. FIRE BLOCKING TO BE LOCATED AT THE FOLLOWING LOCATIONS PER 2019 IRC SECTION R302.11:</b> A. SECTION R302.11-1: 1. FIREBLOCKING SHALL BE PROVIDED IN CONCEALED SPACES OF STUD WALLS AND PARTITIONS, INCLUDING FURRED SPACES AND PARALLEL ROWS OF STUDS OR STAGGERED STUDS, AS FOLLOWS: 1. VERTICALLY AT CEILING AND FLOOR LEVELS 2. HORIZONTALLY AT INTERVALS NOT EXCEEDING 10 FEET</p> <p><b>8. AT INTERCONNECTIONS BETWEEN CONCEALED VERTICAL AND HORIZONTAL SPACES SUCH AS SOFFITS, DROP CEILING AND COVE CEILING</b></p> <p><b>9. IN CONCEALED SPACES BETWEEN STAIR STRINGERS AT THE TOP AND BOTTOM OF THE RUN, ENCLOSED SPACES UNDER STAIRS SHALL COMPLY WITH SECTION R302.7.</b></p> <p><b>10. AT OPENINGS AROUND VENTS, PIPES, DUCTS, CABLES AND WIRES AT CEILINGS AND FLOOR LEVEL, WITH AN APPROVED MATERIAL TO RESIST THE FREE PASSAGE OF FLAME PRODUCTS OF COMBUSTION. THE MATERIAL FILLING THIS ANNULAR SPACE SHALL NOT BE REQUIRED TO MEET THE ASTM E136 REQUIREMENTS</b></p> <p><b>11. FOR THE FIREBLOCKING OF CHIMNEYS AND FIREPLACES, SEE SECTION R1003.19</b></p> <p><b>12. FIREBLOCKING OF CORNICES OF A TWO-FAMILY DWELLING IS REQUIRED AT THE LINE OF DWELLING-UNIT SEPARATION</b></p> <p><b>B - SECTION R302.11.1 - FIREBLOCKING MATERIALS SHALL CONSIST OF FOLLOWING MATERIALS:</b> 1. TWO-INCH NOMINAL LUMBER WITH BROKEN LAP JOINTS 2. TWO THICKNESS OF ONE-INCH NOMINAL LUMBER WITH BROKEN LAP JOINTS 3. THE THICKNESS OF 0.75-INCH WOOD STRUCTURAL PANELS WITH JOINTS BACKED BY 0.75-INCH WOOD STRUCTURAL PANELS 4. THE THICKNESS OF 0.75-INCH PARTICLE BOARD WITH JOINTS BACKED BY 0.75-INCH PARTICLE BOARD 5. ONE-HALF-INCH GYPSUM BOARD 6. ONE-FOURTH-INCH CEMENT-BASED MILLBOARD FIBER OR OTHER APPROVED MATERIAL INSTALLED IN SUCH A MANNER AS TO BE SECURELY RETAINED IN PLACE. 8. CELLULOSE INSULATION INSTALLED AS TESTED IN ACCORDANCE WITH ASTM E119 OR UL 263, FOR THE SPECIFIC APPLICATION</p>	<p><b>LEGEND</b></p> <p> SECTION CUT</p> <p> ELEVATION CALLOUT</p> <p> DETAIL DRAWING REF.</p> <p> ELEVATION MARKER</p>

BY USING THESE PERMIT READY CONSTRUCTION DOCUMENTS, THE RECIPIENT ACKNOWLEDGES, ACCEPTS AND VOLUNTARILY AFFIRMS THE FOLLOWING CONDITIONS:

- THE USE OF THIS INFORMATION IS RESTRICTED TO THE ORIGINAL PROJECT FOR WHICH IT WAS PREPARED FOR THE PERMIT READY ACCESSORY DWELLING UNIT (ADU) PROGRAM FOR THE CITY OF CARLSBAD ONLY. THIS IS A LIMITED SET OF STANDARDIZED ADU PLANS AND SPECIFICATIONS APPROVED BY THE CITY OF CARLSBAD BUILDING DEPARTMENT. BUILDING CODES DO CHANGE OVER TIME AND RECIPIENT SHALL ENSURE FULL COMPLIANCE UNDER ALL CODES THEN IN EFFECT AT THE TIME OF THE SUBJECT PERMIT. THIS DOES NOT ELIMINATE OR REDUCE THE RECIPIENT'S RESPONSIBILITY TO VERIFY ANY AND ALL INFORMATION RELEVANT TO THE RECIPIENT'S WORK AND RESPONSIBILITY ON THIS PROJECT. DESIGN PATH STUDIO SHALL NOT BE RESPONSIBLE FOR TRANSLATION ERRORS. DO NOT USE THESE CONSTRUCTION DOCUMENTS IF THE PERMIT HAS EXPIRED OR IS REVOKED AT ALL.
- THE RECIPIENT RECOGNIZES AND ACKNOWLEDGES THAT THE USE OF THIS INFORMATION WILL BE AT THEIR SOLE RISK AND WITHOUT ANY LIABILITY OR LEGAL EXPOSURE TO DESIGN PATH STUDIO. NO WARRANTIES OF ANY NATURE, WHETHER EXPRESS OR IMPLIED, SHALL ATTACH TO THESE DOCUMENTS AND THE INFORMATION CONTAINED THEREON. ANY USE, REUSE, OR ALTERATION OF THESE DOCUMENTS BY THE RECIPIENT OR BY OTHERS WILL BE AT THE RECIPIENT'S RISK AND FULL LEGAL RESPONSIBILITY. FURTHERMORE, THE RECIPIENT WILL, TO THE FULLEST EXTENT PERMITTED BY LAW, DEFEND, INDEMNIFY AND HOLD DESIGN PATH STUDIO AND ITS ARCHITECTS HARMLESS FROM ANY AND ALL CLAIMS, SUITS, LIABILITY, DEMANDS, JUDGMENTS, OR COSTS ARISING OUT OF OR RESULTING THERE FROM ANY USE OF THESE CONSTRUCTION DOCUMENTS FOR OR ON ACCOUNT OF ANY INJURY, DEATH, DAMAGE OR LOSS TO PERSONS OR PROPERTY, DIRECT OR CONSEQUENTIAL DAMAGES IN ANY AMOUNT. THIS INDEMNITY DOES NOT APPLY TO THE SOLE NEGLIGENCE OR WILLFUL MISCONDUCT OF DESIGN PATH STUDIO OR ITS ARCHITECTS.
- THE DESIGNS REPRESENTED BY THESE PLANS ARE COPYRIGHTED AND ARE SUBJECT TO COPYRIGHT PROTECTION.
- IF THE RECIPIENT DOES NOT AGREE WITH THE ABOVE CONDITIONS, DO NOT PROCEED WITH CONSTRUCTION OF AN ADU OR OTHER IMPROVEMENT UNDER THESE PLANS AT ALL.

project  
City of Carlsbad  
Pre-Approved ADU  
Program

revisions  
  
 description  
**Building Sections Farmhouse Studio**

date 05 May 2023

project no. 2022\_Carlsbad\_ADU

drawn by Design Path Studio

sheet no.

**A4.2**



BY USING THESE PERMIT READY CONSTRUCTION DOCUMENTS, THE RECIPIENT ACKNOWLEDGES, ACCEPTS AND VOLUNTARILY AFFIRMS THE FOLLOWING CONDITIONS:

- THE USE OF THIS INFORMATION IS RESTRICTED TO THE ORIGINAL PROJECT FOR WHICH IT WAS PREPARED FOR THE PERMIT READY ACCESSORY DWELLING UNIT (ADU) PROGRAM FOR THE CITY OF CARLSBAD ONLY. THIS IS A LIMITED SET OF STANDARDIZED ADU PLANS AND SPECIFICATIONS APPROVED BY THE CITY OF CARLSBAD BUILDING DEPARTMENT. BUILDING CODES DO CHANGE OVER TIME AND RECIPIENT SHALL ENSURE FULL COMPLIANCE UNDER ALL CODES THEN IN EFFECT AT THE TIME OF THE SUBJECT PERMIT. THIS DOES NOT ELIMINATE OR REDUCE THE RECIPIENT'S RESPONSIBILITY TO VERIFY ANY AND ALL INFORMATION RELEVANT TO THE RECIPIENT'S WORK AND RESPONSIBILITY ON THIS PROJECT. DESIGN PATH STUDIO SHALL NOT BE RESPONSIBLE FOR TRANSLATION ERRORS. DO NOT USE THESE CONSTRUCTION DOCUMENTS IF THE PERMIT HAS EXPIRED OR IS REVOKED AT ALL.
- THE RECIPIENT RECOGNIZES AND ACKNOWLEDGES THAT THE USE OF THIS INFORMATION WILL BE AT THEIR SOLE RISK AND WITHOUT ANY LIABILITY OR LEGAL EXPOSURE TO DESIGN PATH STUDIO. NO WARRANTIES OF ANY NATURE, WHETHER EXPRESS OR IMPLIED, SHALL ATTACH TO THESE DOCUMENTS AND THE INFORMATION CONTAINED THEREON. ANY USE, REUSE, OR ALTERATION OF THESE DOCUMENTS BY THE RECIPIENT OR BY OTHERS WILL BE AT THE RECIPIENT'S RISK AND FULL LEGAL RESPONSIBILITY. FURTHERMORE, THE RECIPIENT WILL, TO THE FULLEST EXTENT PERMITTED BY LAW, DEFEND, INDEMNIFY AND HOLD DESIGN PATH STUDIO AND ITS ARCHITECTS HARMLESS FROM ANY AND ALL CLAIMS, SUITS, LIABILITY, DEMANDS, JUDGMENTS, OR COSTS ARISING OUT OF OR RESULTING THEREFROM ANY USE OF THESE CONSTRUCTION DOCUMENTS FOR OR ON ACCOUNT OF ANY INJURY, DEATH, DAMAGE OR LOSS TO PERSONS OR PROPERTY, DIRECT OR CONSEQUENTIAL DAMAGES IN ANY AMOUNT. THIS INDEMNITY DOES NOT APPLY TO THE SOLE NEGLIGENCE OR WILLFUL MISCONDUCT OF DESIGN PATH STUDIO OR ITS ARCHITECTS.
- THE DESIGNS REPRESENTED BY THESE PLANS ARE COPYRIGHTED AND ARE SUBJECT TO COPYRIGHT PROTECTION.
- IF THE RECIPIENT DOES NOT AGREE WITH THE ABOVE CONDITIONS, DO NOT PROCEED WITH CONSTRUCTION OF AN ADU OR OTHER IMPROVEMENT UNDER THESE PLANS AT ALL.

project  
City of Carlsbad  
Pre-Approved ADU  
Program

revisions  
△  
△  
△  
△  
△

description  
Building  
Sections  
Spanish  
Studio

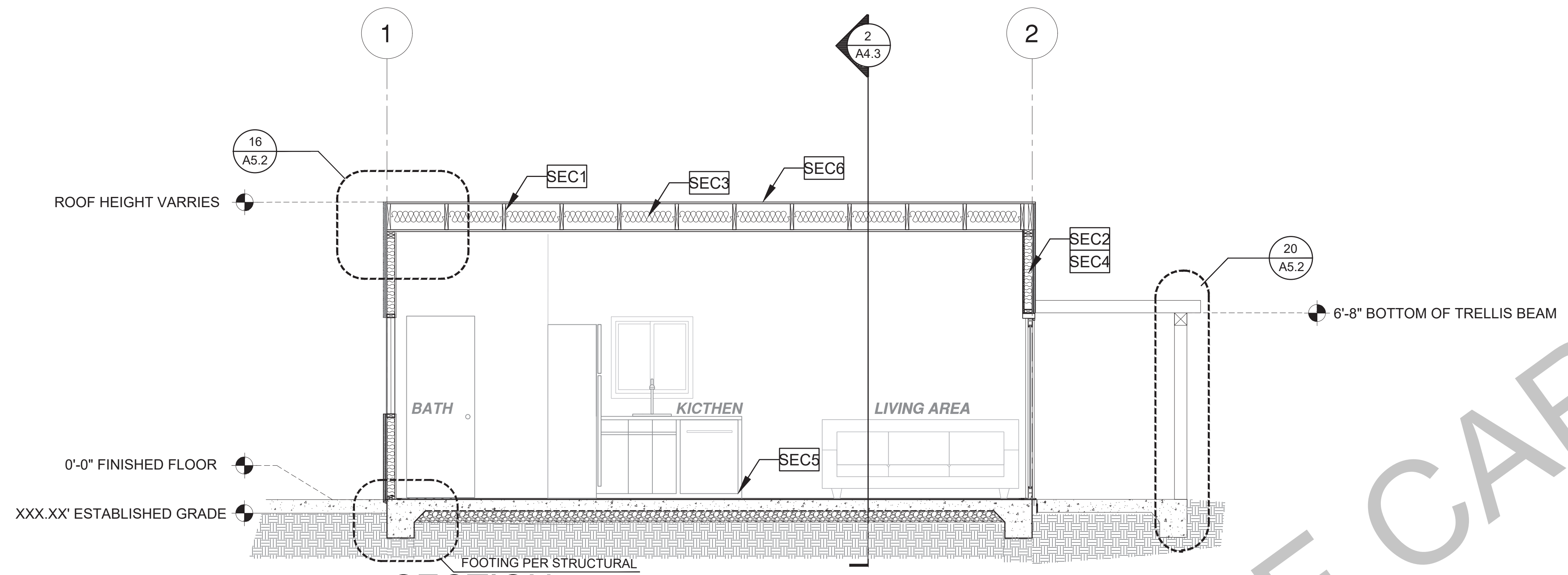
date 05 May 2023

project no. 2022\_Carlsbad\_ADU

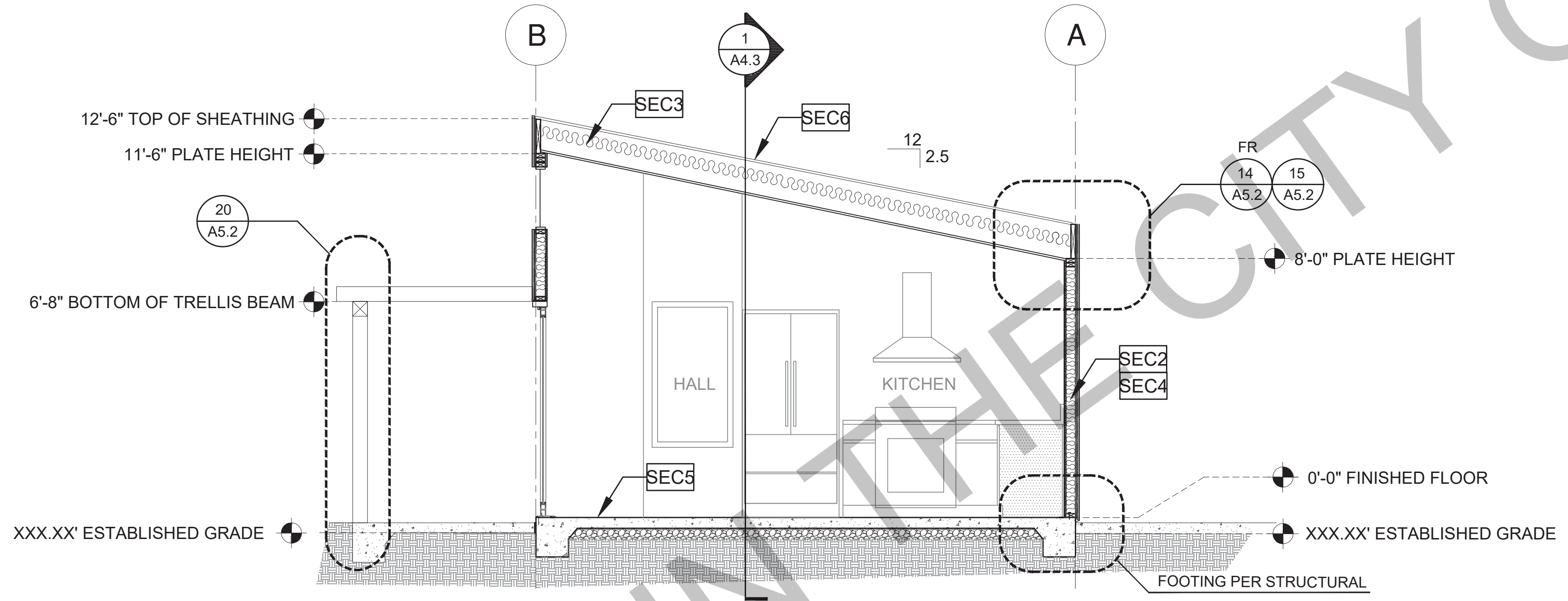
drawn by Design Path Studio

sheet no.

A4.3



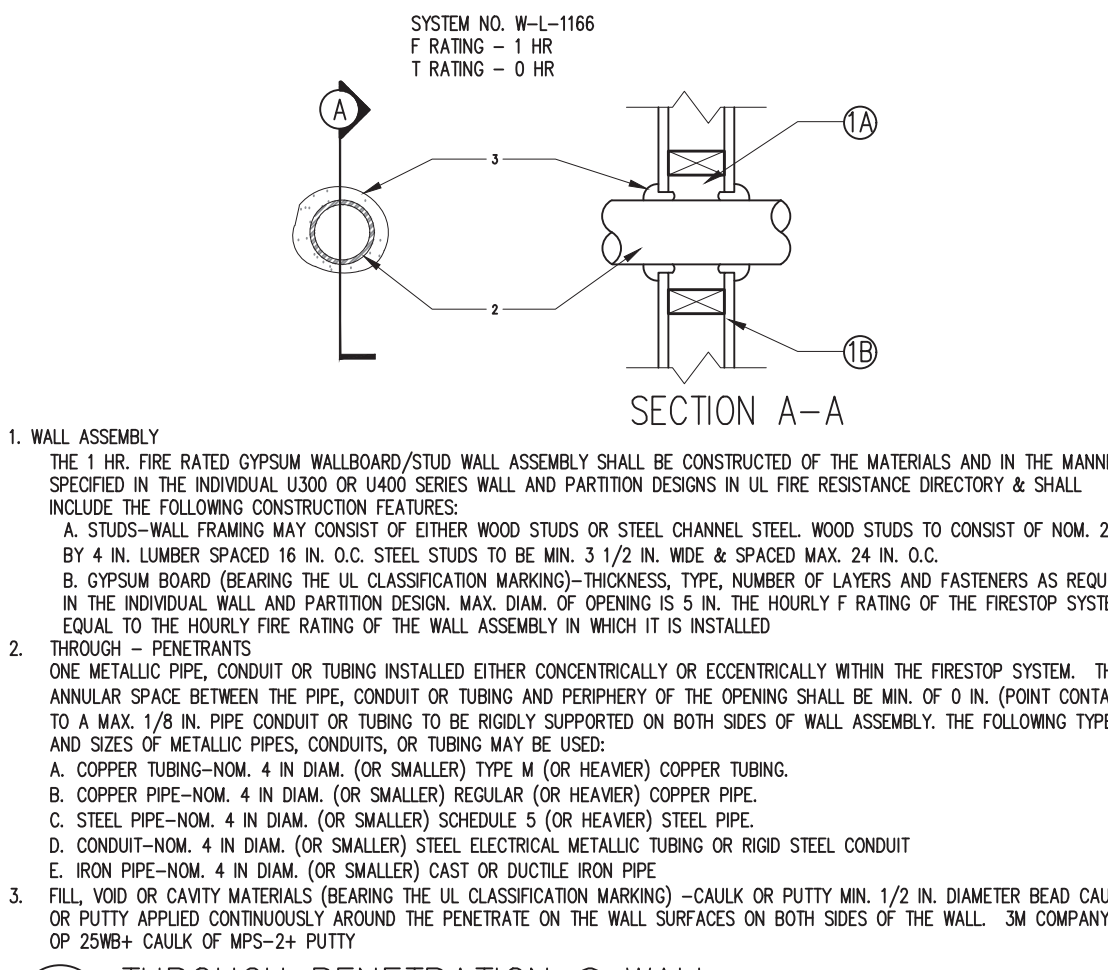
1 SECTION  
SCALE: 3/8"=1'-0"  
SPANISH



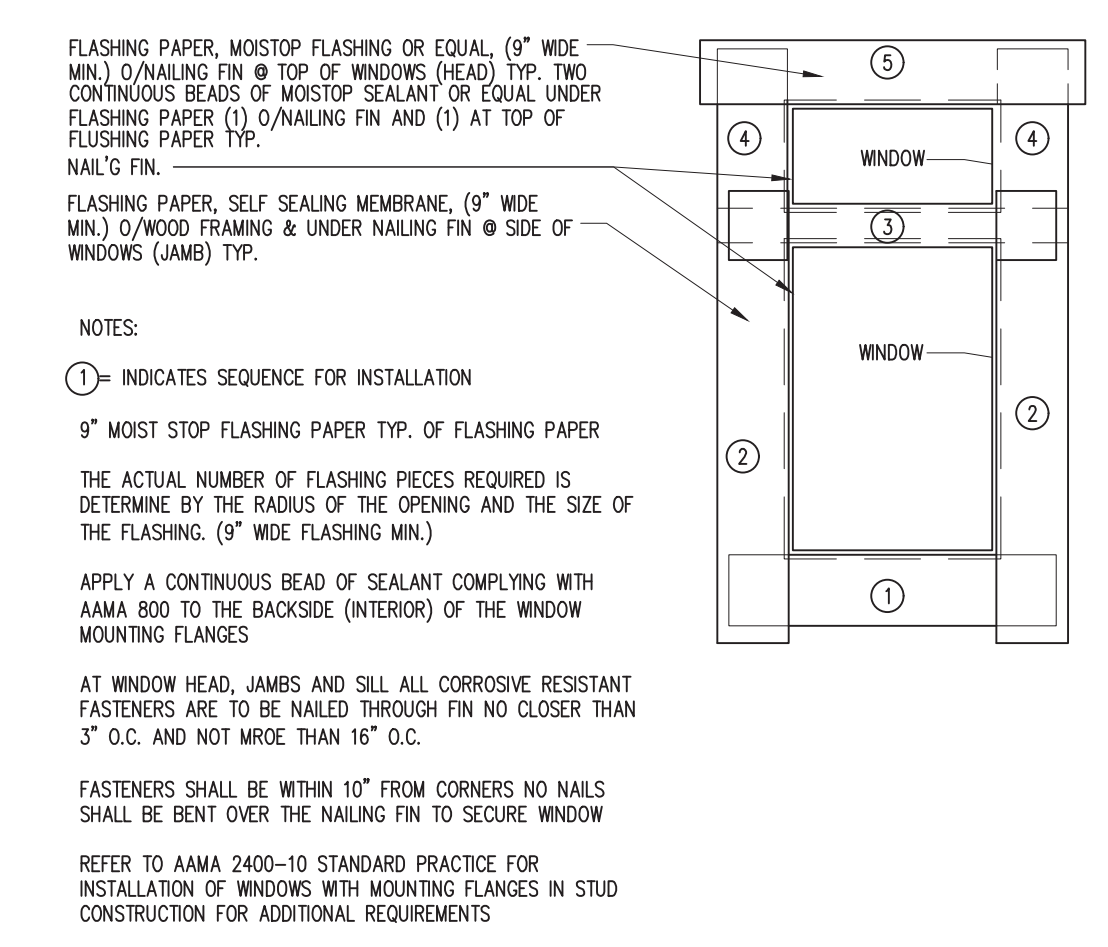
2 SECTION  
SCALE: 3/8"=1'-0"  
SPANISH

SECTION KEYNOTES	SECTION GENERAL NOTES	LEGEND
<p><b>SEC1</b> RAFTERS PER PLAN SEE STRUCTURAL</p> <p><b>SEC2</b> 2X STUDS @ 16" O.C. - SEE STRUCTURAL</p> <p><b>SEC3</b> CEILING INSULATION PER TITLE 24 ENERGY CALCULATIONS</p> <p><b>SEC4</b> WALL INSULATION PER TITLE 24 ENERGY CALCULATIONS</p> <p><b>SEC5</b> CONC. SLAB ON GRADE SEE STRUCTURAL</p> <p><b>SEC6</b> MINIMUM CLASS A ROOF ASSEMBLY - SEE SHEET T1.1 FOR MANUFACTURER SPECIFICATIONS</p>	<p>1. METALS SEE PLANS AND DETAILS FOR LOCATIONS, QUANTITY AND CONFIGURATION OF MISCELLANEOUS IRON AND STEEL WORK INCLUDING ASSORTED CLIPS, BRACKETS, ANGLES, STRAPS, POST ANCHORS AND LIKE ITEMS. FURNISH AND INSTALL ALL SUCH ITEMS NECESSARY TO MAKE A COMPLETE INSTALLATION WHETHER OR NOT SPECIFICALLY DETAILED OR NOTED ON THE DRAWINGS. ALL EXTERIOR METAL AND HARDWARE IS TO BE GALVANIZED. STEEL IS TO BE ASTM A3.</p> <p>2. RAFTER VENTS ARE TO BE STAINLESS STEEL MESH AND ARE TO BE SIZED TO MEET REQUIRED VENTILATION TO ENCLOSED RAFTER SPACES. MAX 1/2" MIN 1/8" OPENING SIZE ON VENT SCREEN WITH CORROSION-RESISTANT WIRE SCREEN MATERIAL.</p> <p>3. FRAMER IS TO LAYOUT CEILING JOISTS/ROOF RAFTERS TO ACCOMMODATE RECESSED LIGHTS EXHAUST FANS OR OTHER ELECTRICAL/MECHANICAL FIXTURES.</p> <p>4. WOOD SOFFIT/CEILING, SIDING &amp; TRIM ALL NAILS, FASTENERS AND HARDWARE MUST BE STAINLESS STEEL OR HOT-DIPPED GALVANIZED. STAPLES ARE NOT PERMITTED.</p> <p>5. INSULATION THERMAL INSULATION IS TO BE FOIL BACKED BATT INSULATION WITH AN R VALUE NOT LESS SPECIFIED IN THE TITLE 24 ENERGY CALCULATIONS. AT BATHROOMS, LAUNDRY ROOM, AND MASTER BEDROOMS INSULATION IS TO BE PROVIDED WITH SOUND INSULATION.</p> <p>6. FLASHING AND SHEET METAL ALL FLASHING AND COUNTER FLASHING IS TO BE GALVANIZED AND INSTALLED AS PER SMACNA STANDARDS. ALL PROPOSED FLASHING AND SHEET METAL MATERIALS, GAUGE AND INSTALLATION IS TO BE IN ACCORDANCE WITH SMACNA MANUAL STANDARDS.</p> <p>7. THE PURPOSE OF THESE DRAWINGS IS TO SHOW CONSTRUCTION MATERIALS/ASSEMBLIES. FOR SPECIFIC SIZES AND DETAILS REFER TO ARCHITECTURAL PLANS, ELEVATIONS, DETAILS, AND STRUCTURAL PLANS. *KEYNOTES ONLY APPLY IF REFERENCED ON PLANS</p> <p>8. AT INTERCONNECTIONS BETWEEN CONCEALED VERTICAL AND HORIZONTAL SPACES SUCH AS SOFFITS, DROP CEILINGS AND COVE CEILINGS</p> <p>9. IN CONCEALED SPACES BETWEEN STAIR STRINGERS AT THE TOP AND BOTTOM OF THE RUN, ENCLOSED SPACES UNDER STAIRS SHALL COMPLY WITH SECTION R302.7.</p> <p>10. AT OPENINGS AROUND VENTS, PIPES, DUCTS, CABLES AND WIRES AT CEILINGS AND FLOOR LEVEL, WITH AN APPROVED MATERIAL TO RESIST THE FREE PASSAGE OF FLAME PRODUCTS OF COMBUSTION. THE MATERIAL FILLING THIS ANNULAR SPACE SHALL NOT BE REQUIRED TO MEET THE ASTM E136 REQUIREMENTS</p> <p>11. FOR THE FIREBLOCKING OF CHIMNEYS AND FIREPLACES, SEE SECTION R1003.19</p> <p>12. FIREBLOCKING OF CORNICES OF A TWO-FAMILY DWELLING IS REQUIRED AT THE LINE OF DWELLING-UNIT SEPARATION</p> <p>B - SECTION R302.11.1 - FIREBLOCKING MATERIALS SHALL CONSIST OF FOLLOWING MATERIALS: 1. TWO-INCH NOMINAL LUMBER WITH BROKEN LAP JOINTS 2. TWO THICKNESS OF ONE-INCH NOMINAL LUMBER WITH BROKEN LAP JOINTS 3. THE THICKNESS OF 0.75-INCH WOOD STRUCTURAL PANELS WITH JOINTS BACKED BY 0.75-INCH WOOD STRUCTURAL PANELS 4. THE THICKNESS OF 0.75-INCH PARTICLE BOARD WITH JOINTS BACKED BY 0.75-INCH PARTICLE BOARD 5. ONE-HALF INCH GYPSUM BOARD 6. ONE-FOURTH INCH CEMENT-BASED MILLBOARD FIBER OR OTHER APPROVED MATERIAL INSTALLED IN SUCH A MANNER AS TO BE SECURELY RETAINED IN PLACE. 8. CELLULOSE INSULATION INSTALLED AS TESTED IN ACCORDANCE WITH ASTM E119 OR UL 263, FOR THE SPECIFIC APPLICATION</p>	<p>SECTION CUT</p> <p>ELEVATION CALLOUT</p> <p>DETAIL DRAWING REF.</p> <p>ELEVATION MARKER</p>

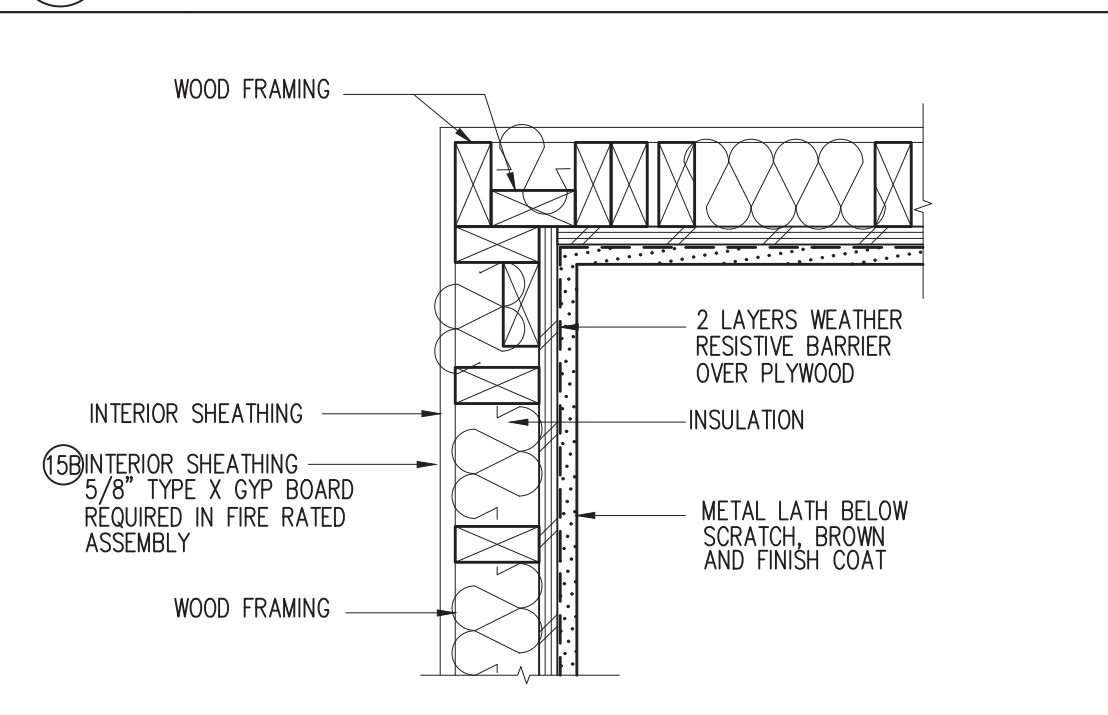




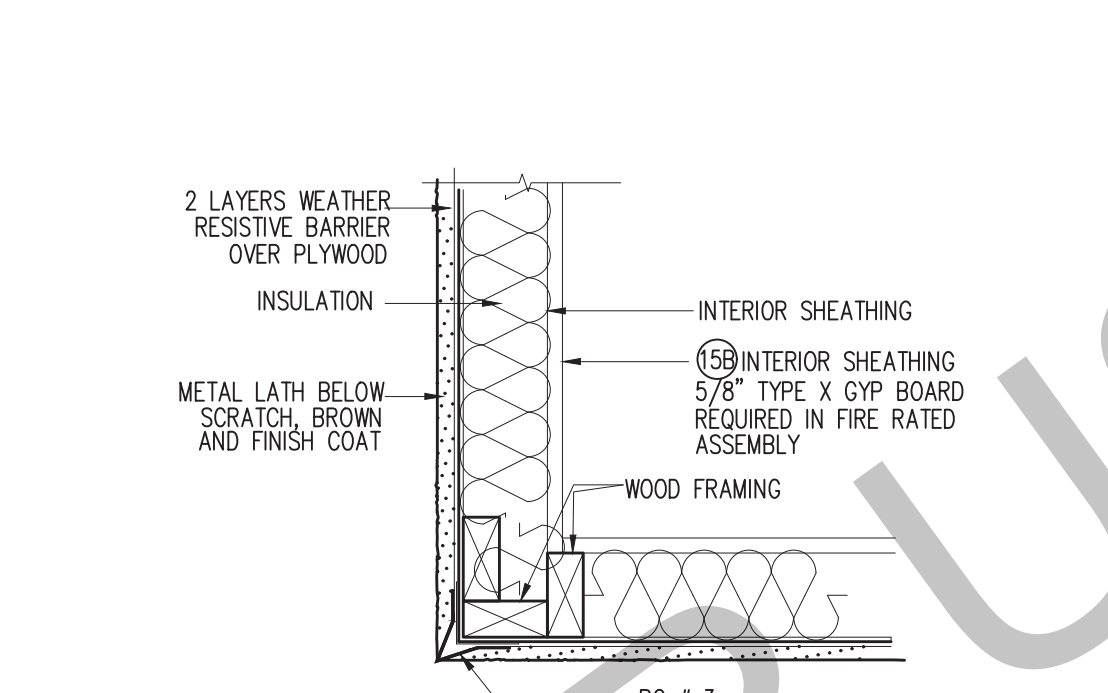
13 THROUGH PENETRATION @ WALL SCALE: NTS



14 WINDOW FLASHING SCALE: NTS



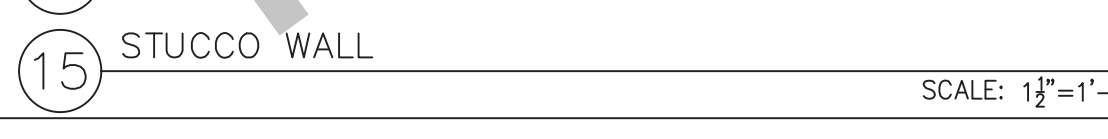
15 STUCCO WALL SCALE: 1/2\"/>



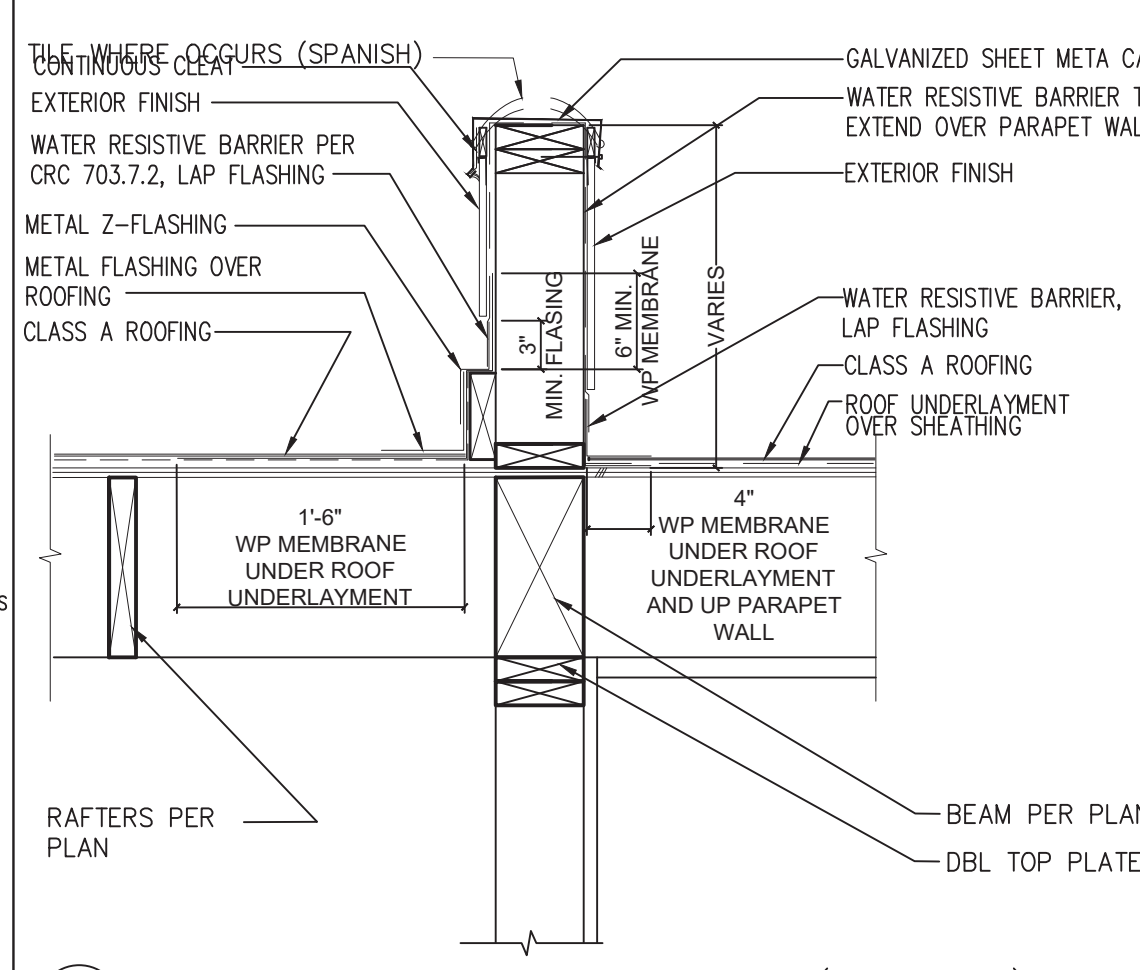
15B FIRE RATED STUCCO WALL SCALE: 1/2\"/>



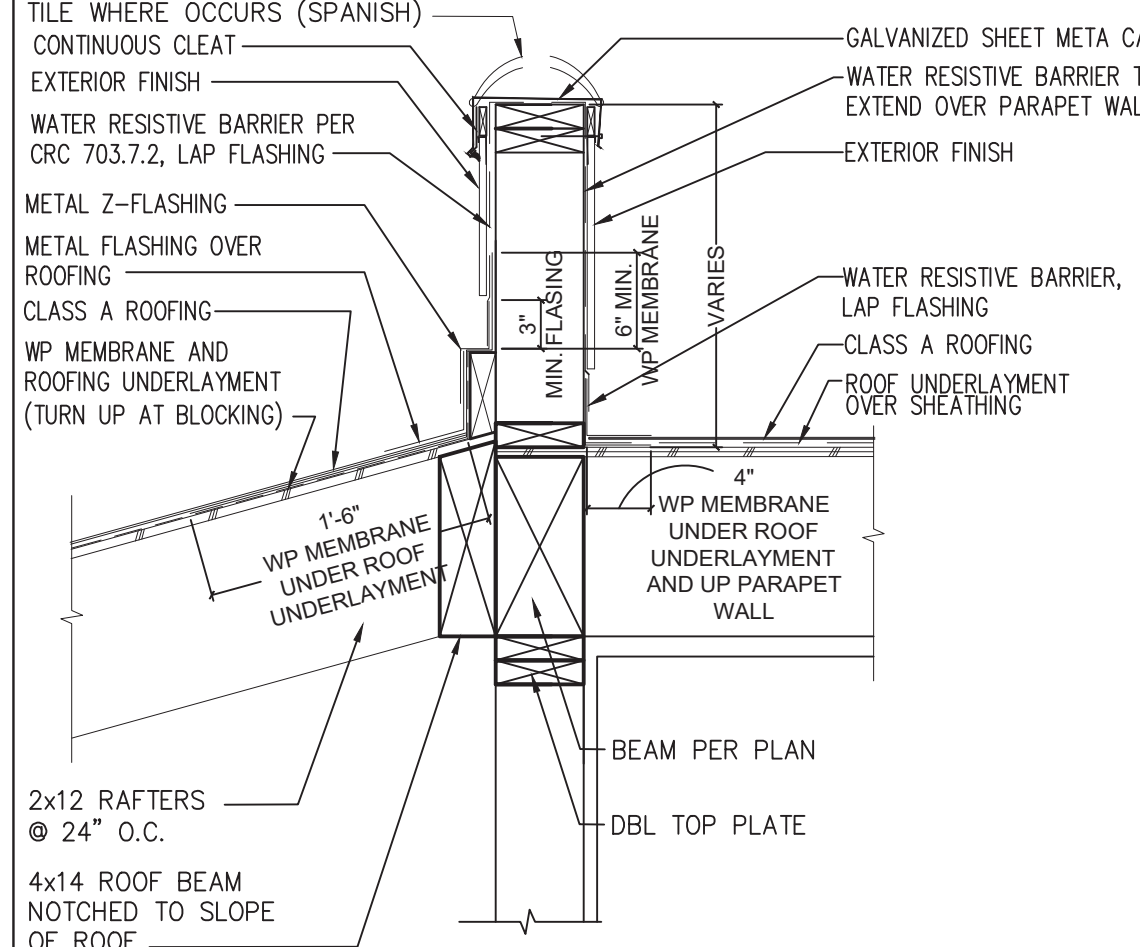
12 SIDING WALL SCALE: 1/2\"/>



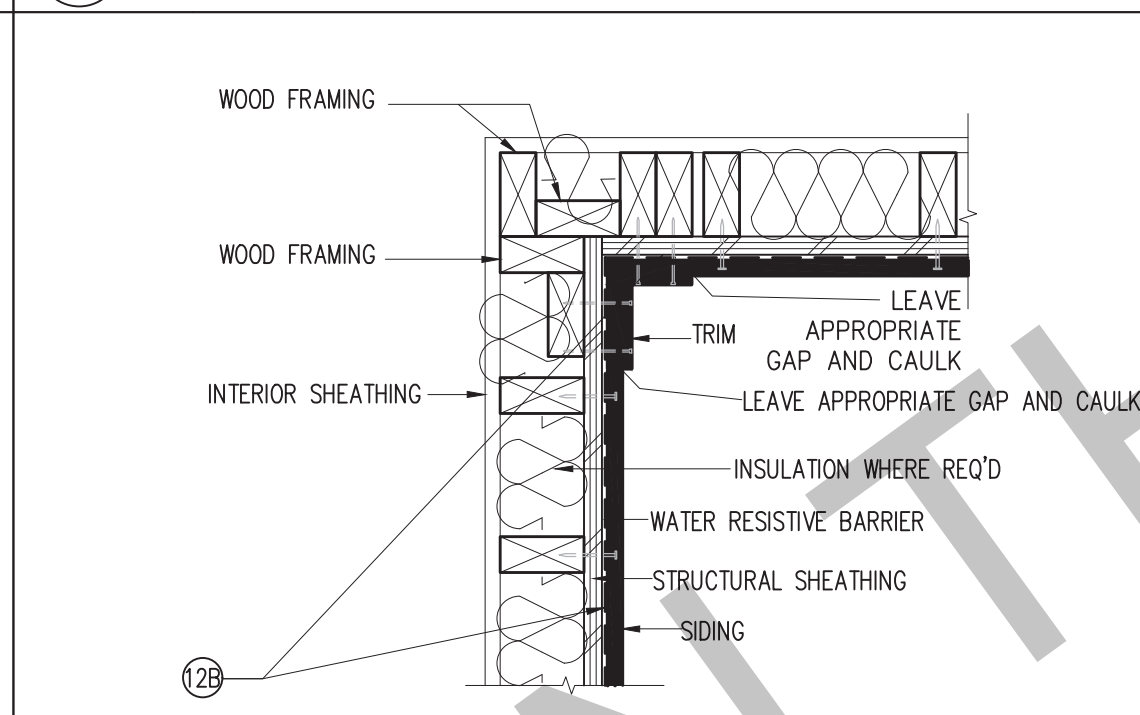
15C STUCCO AT INSIDE CORNER SCALE: 1/2\"/>



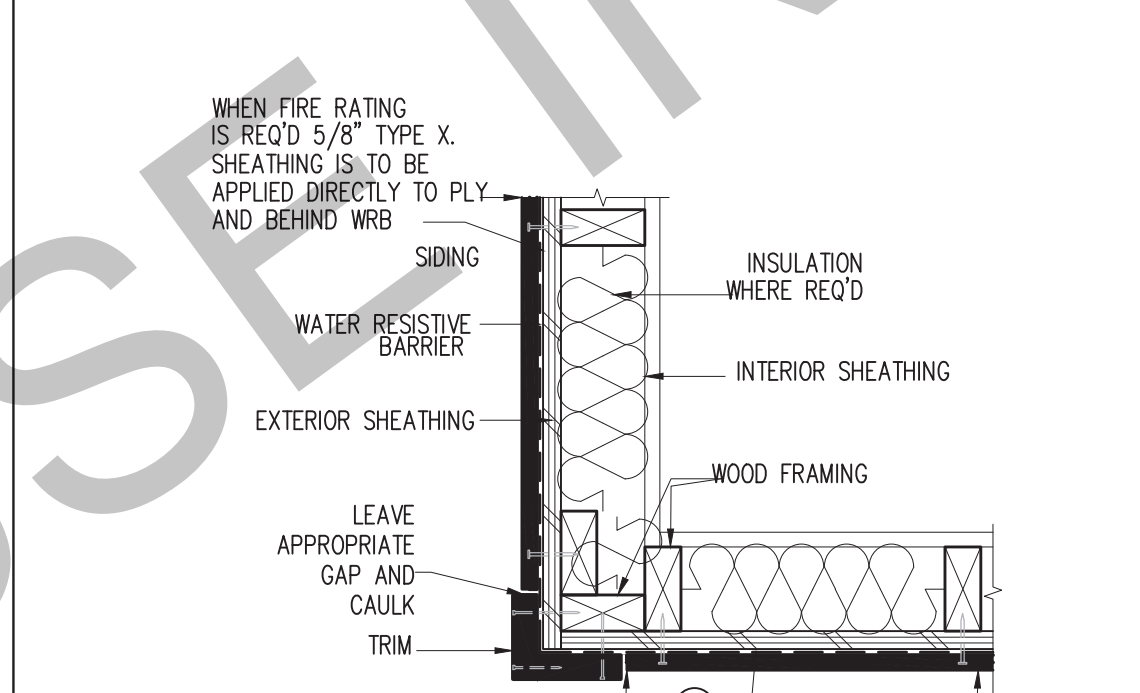
10 ROOF TRANSITION @ SPANISH ROOF (PARALLEL) SCALE: NTS



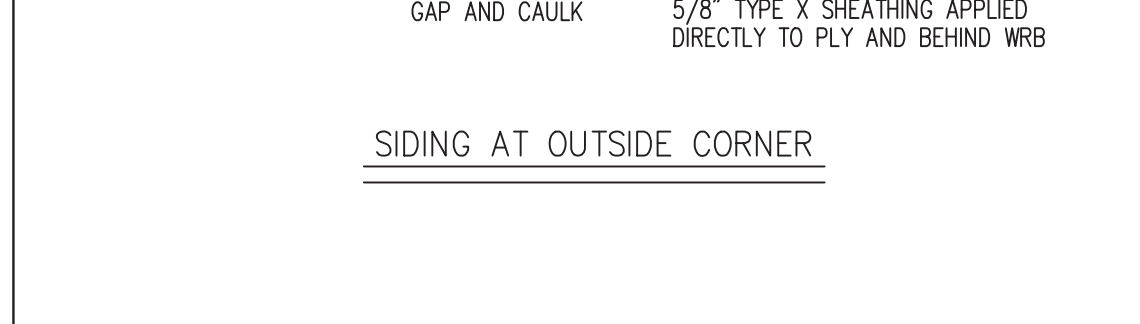
11 ROOF TRANSITION @ SPANISH ROOF (PERPENDICULAR) SCALE: NTS



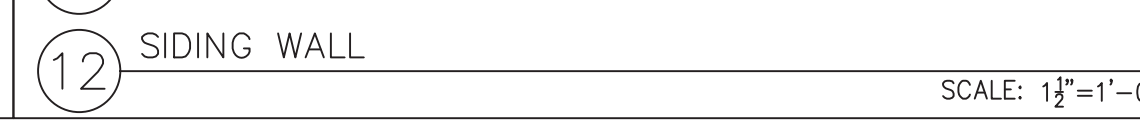
12B SIDING AT INSIDE CORNER SCALE: 1/2\"/>



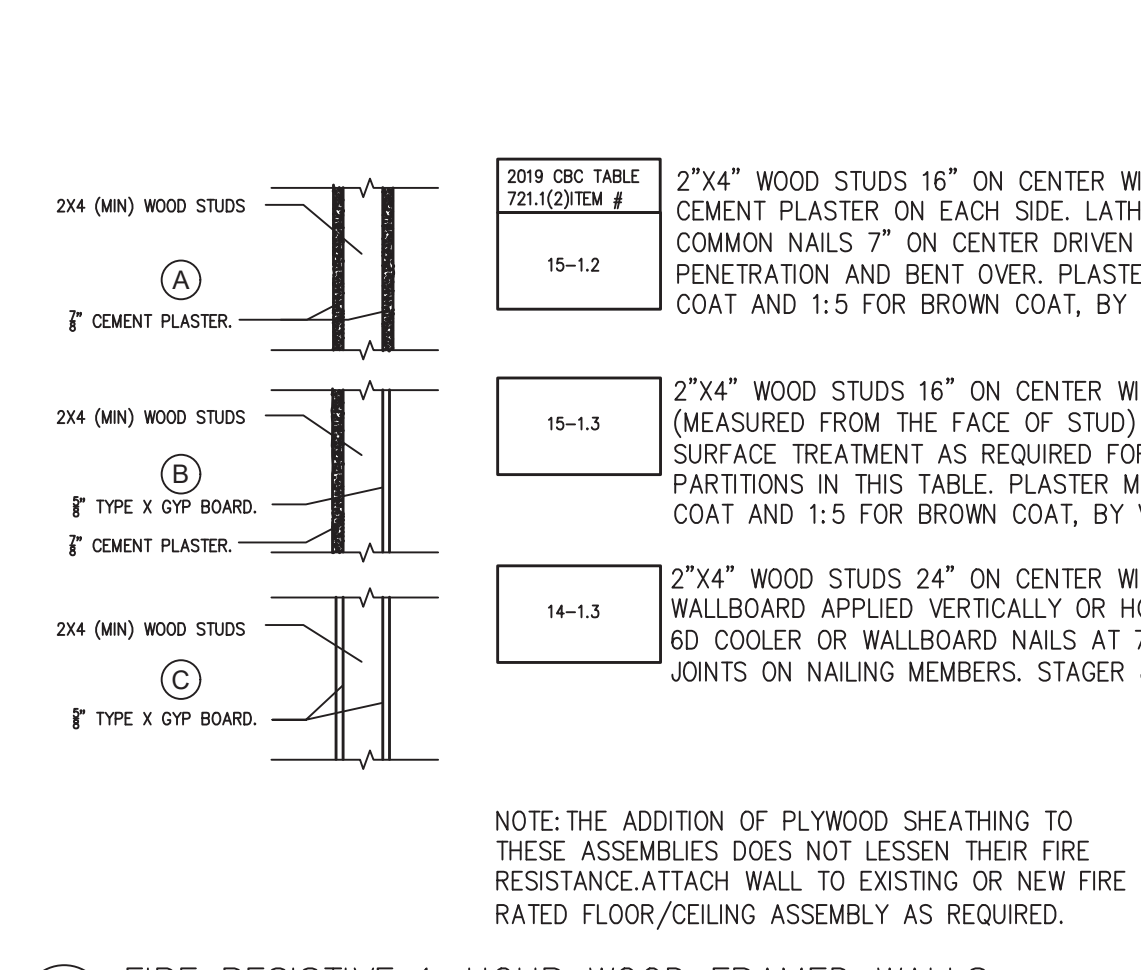
12C SIDING AT OUTSIDE CORNER SCALE: 1/2\"/>



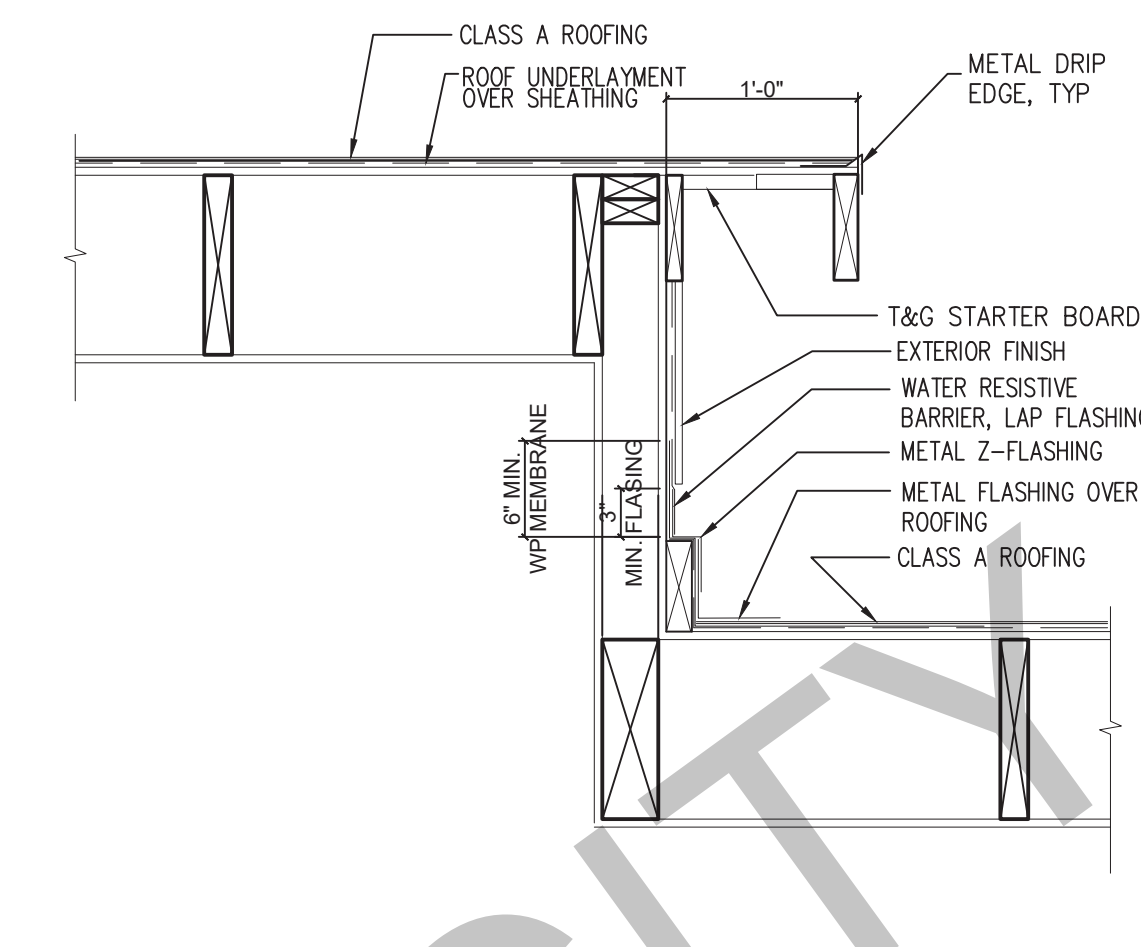
9B FIRE RATED STONE WALL SCALE: 1/2\"/>



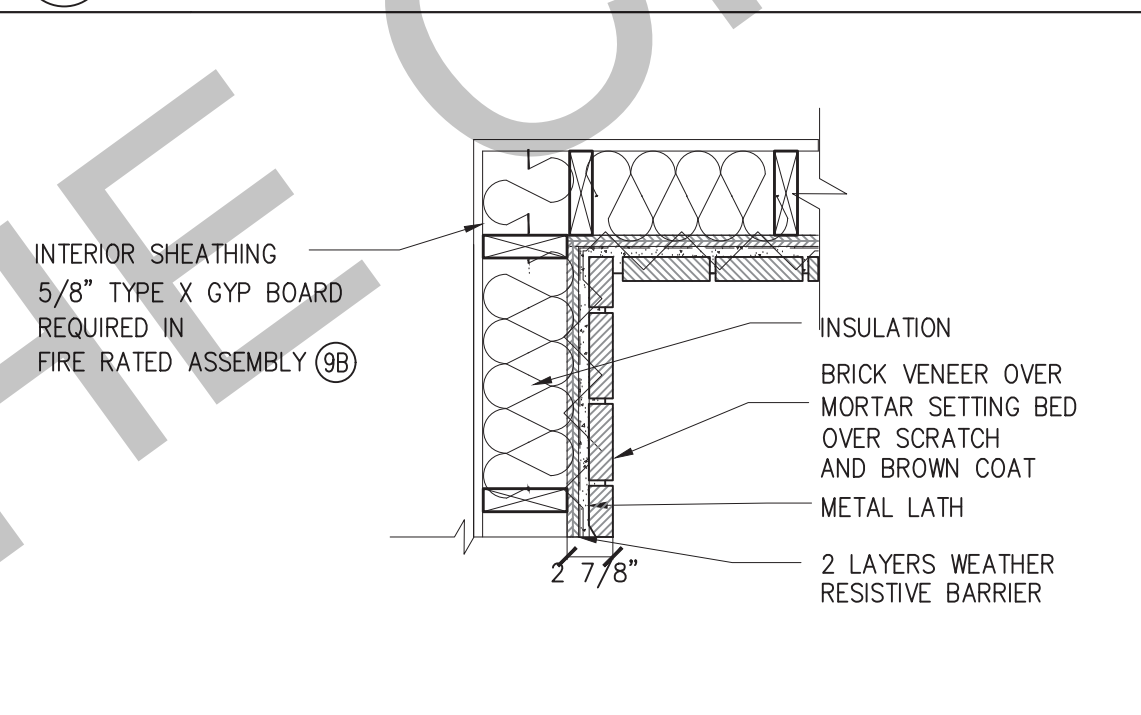
9 STONE WALL SCALE: 1/2\"/>



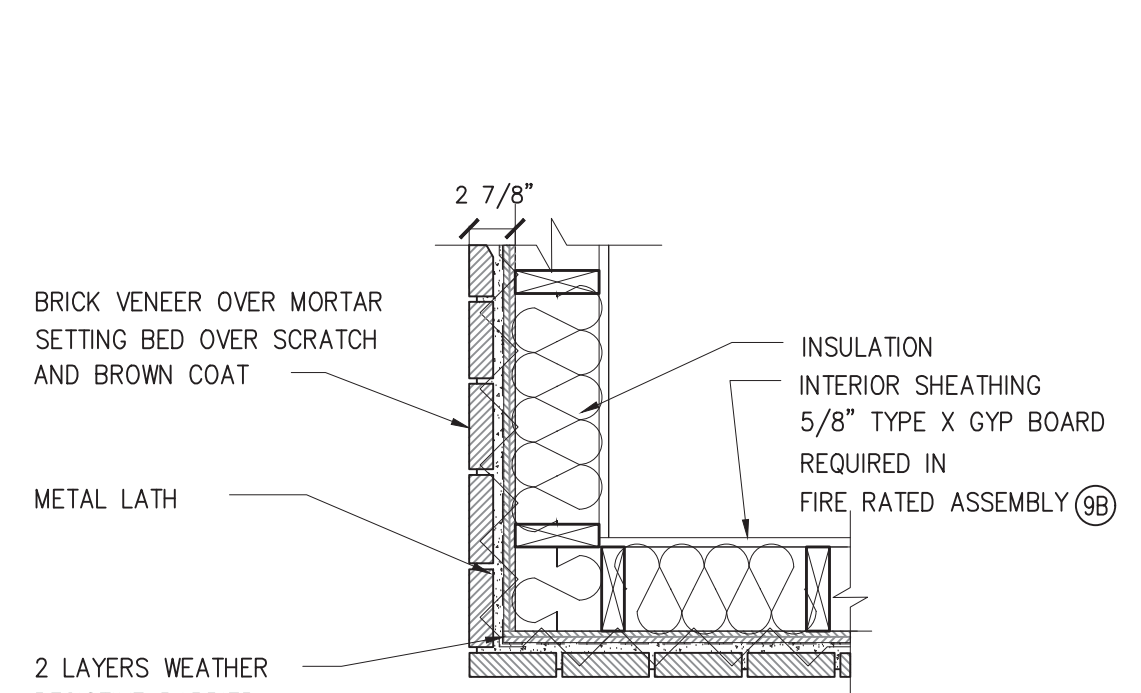
4 FIRE RESISTIVE 1-HOUR WOOD FRAMED WALLS SCALE: NTS



8 DORMER TRANSITION AT FARMHOUSE SCALE: NTS



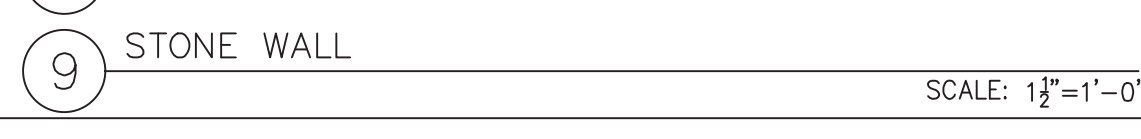
9C FIRE RATED STONE WALL SCALE: 1/2\"/>



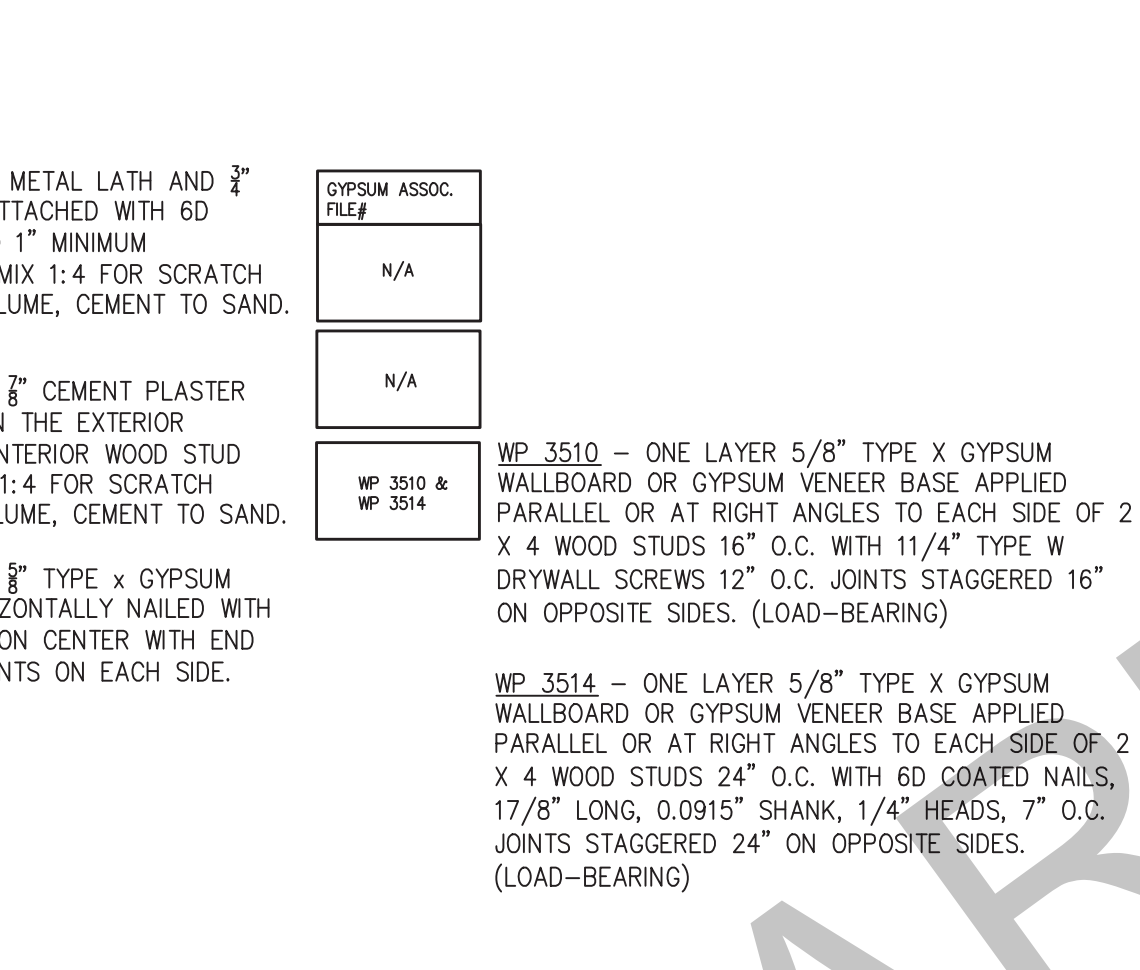
9D STONE WALL SCALE: 1/2\"/>



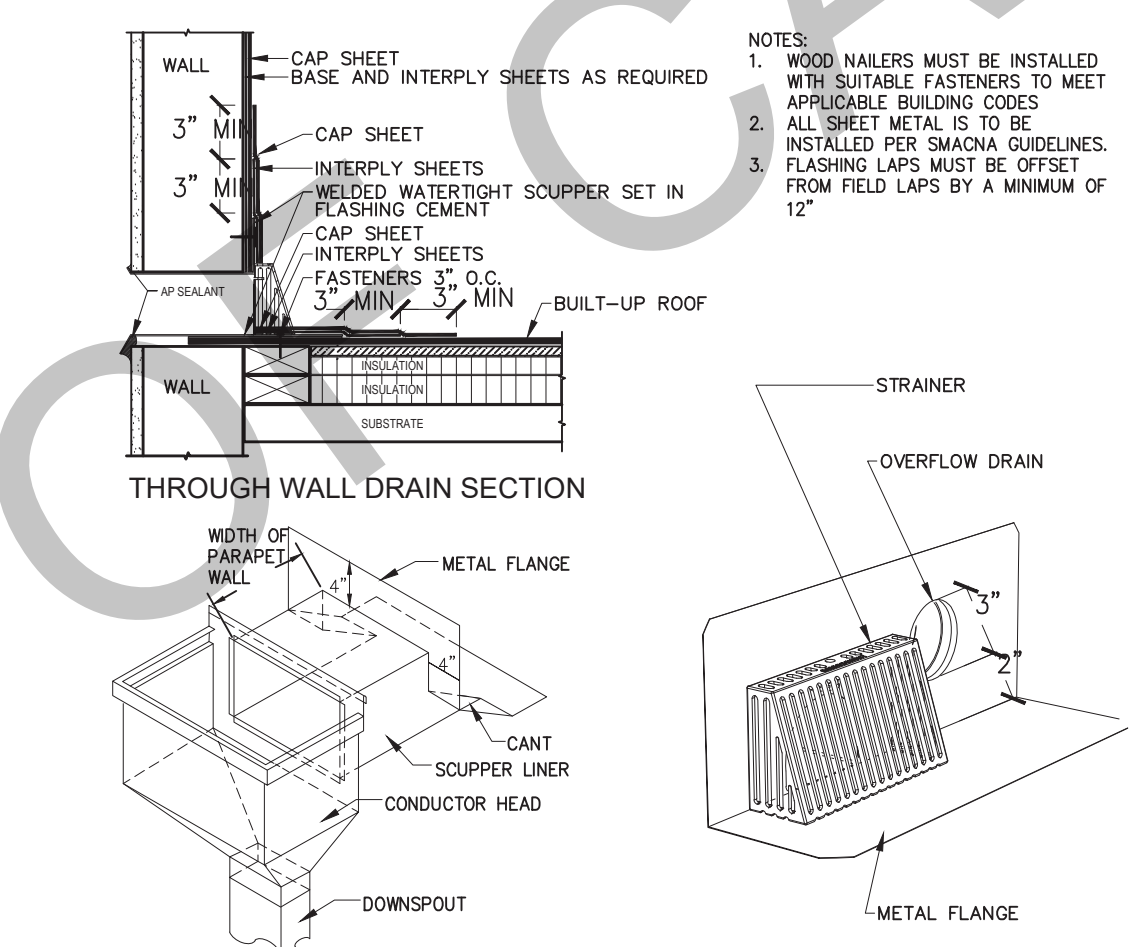
6 SIDING - WALL SECTION SCALE: 1/2\"/>



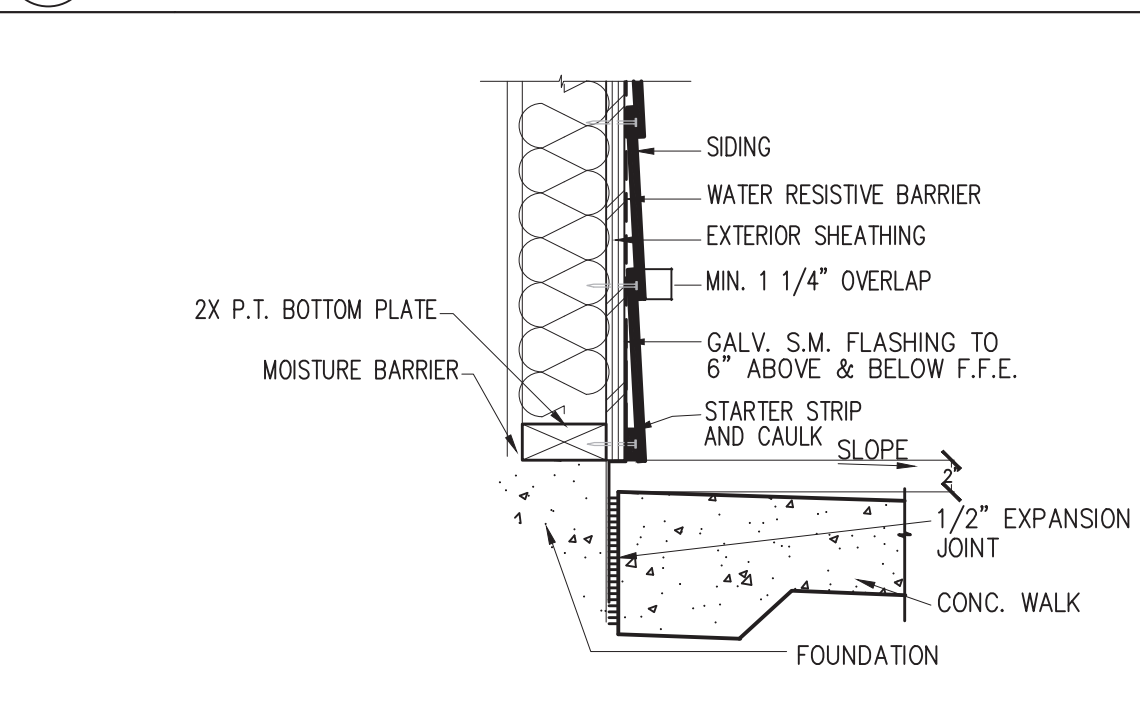
6B SIDING AT CONCRETE WALK SCALE: 1/2\"/>



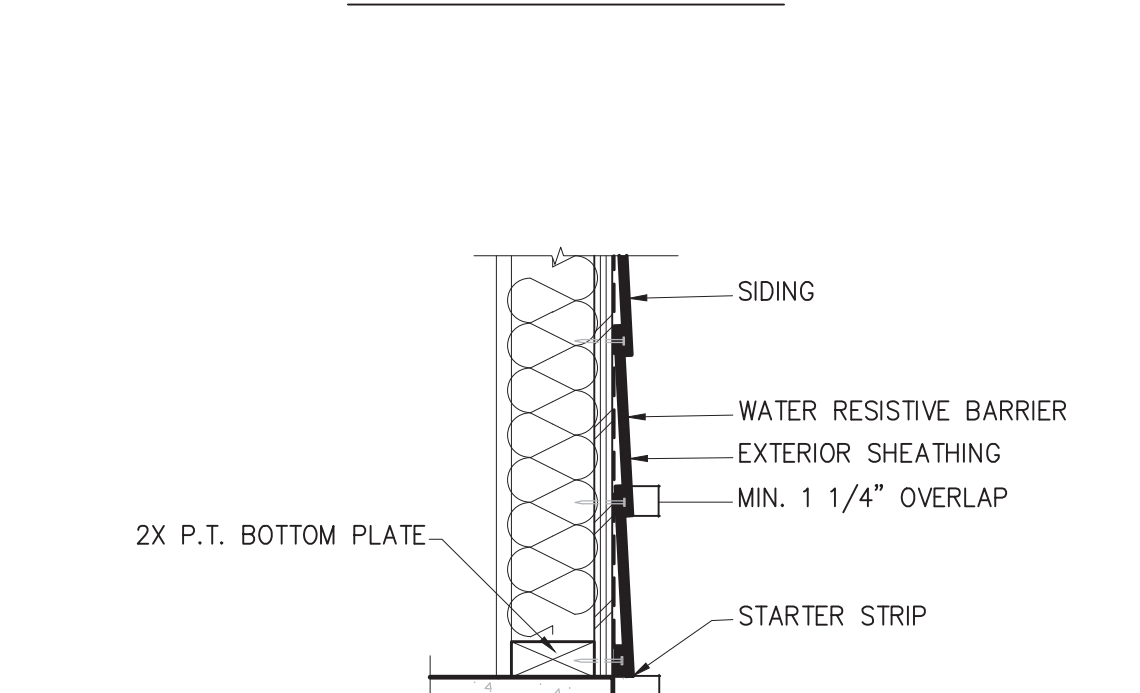
5 THROUGH WALL DRAIN AND OVERFLOW SCALE: NTS



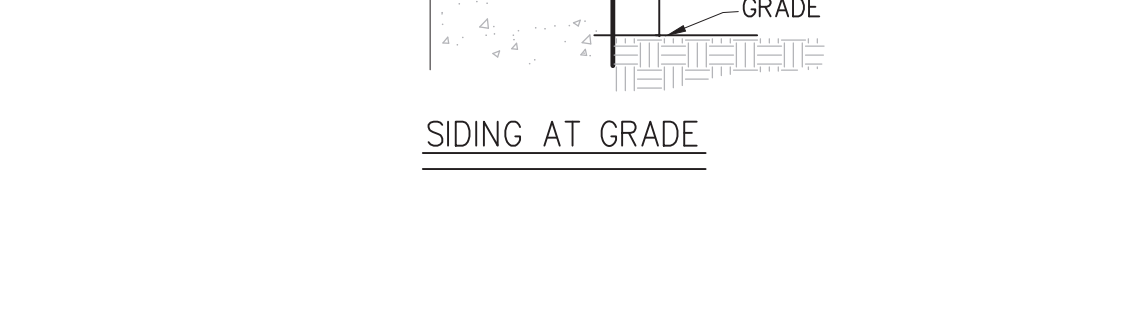
6C SIDING AT GRADE SCALE: 1/2\"/>



6D STUCCO/STONE - WALL SECTION SCALE: 1/2\"/>



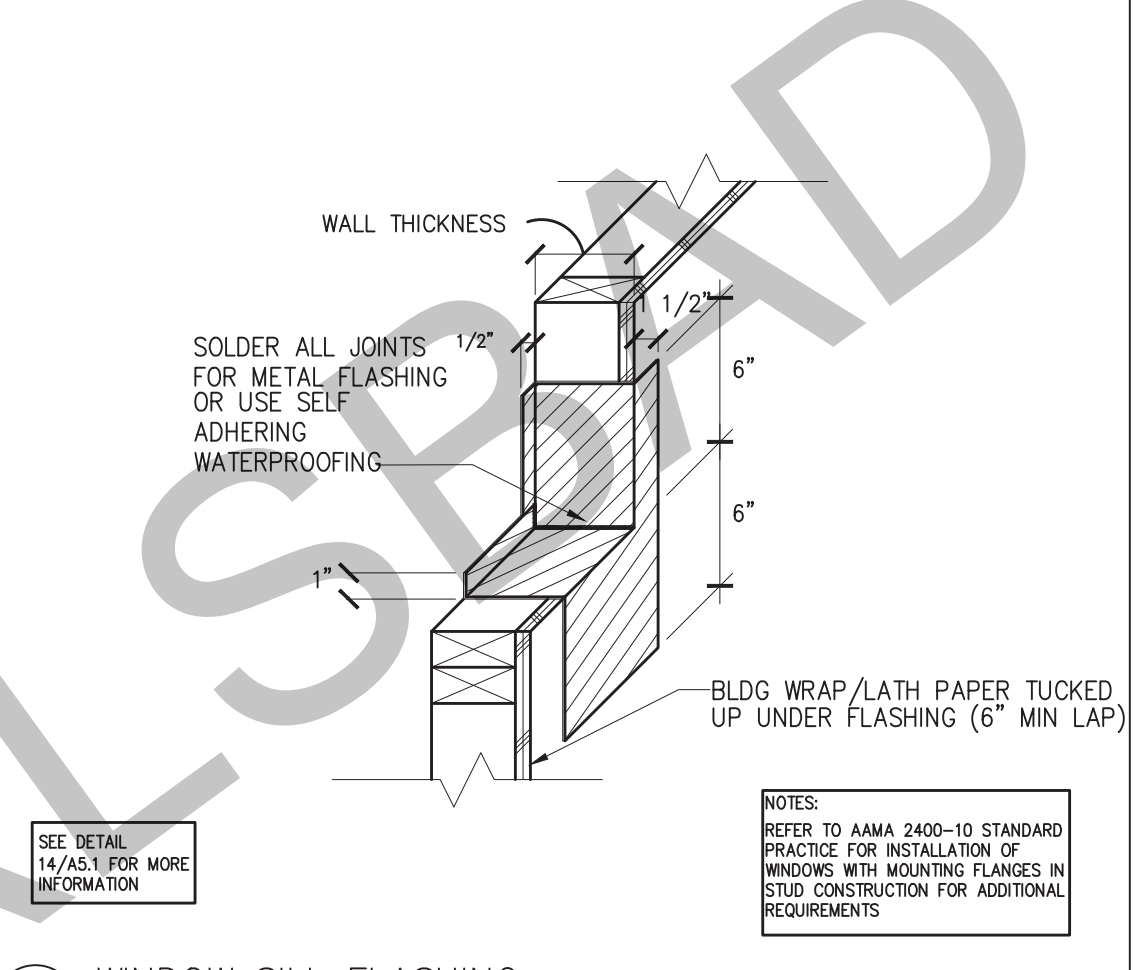
6E STUCCO/STONE - WALL SECTION SCALE: 1/2\"/>



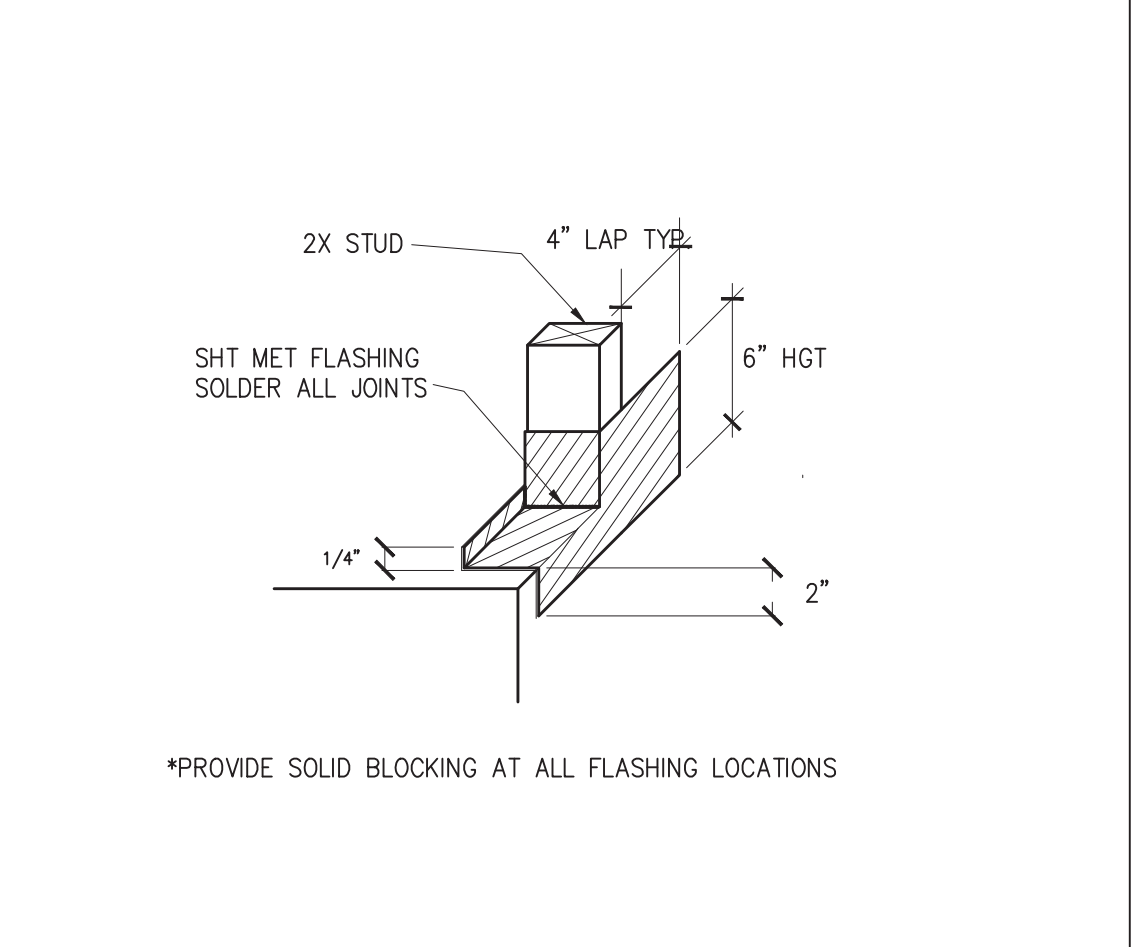
6F STUCCO/STONE - WALL SECTION SCALE: 1/2\"/>



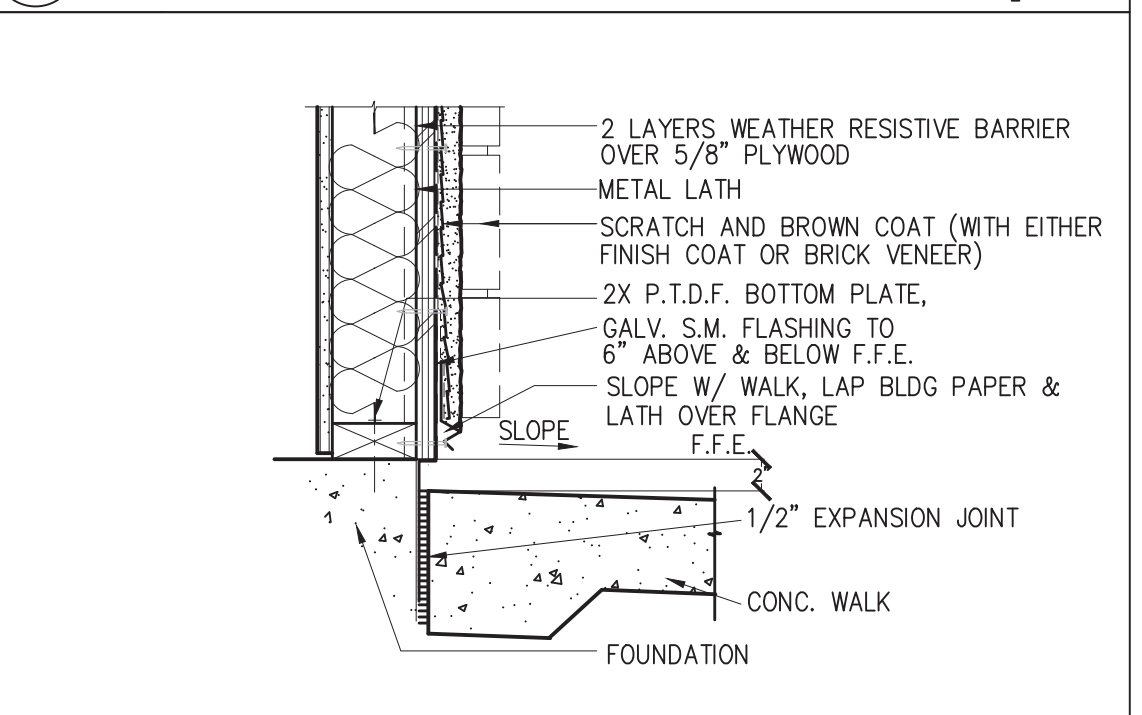
6G STUCCO/STONE - WALL SECTION SCALE: 1/2\"/>



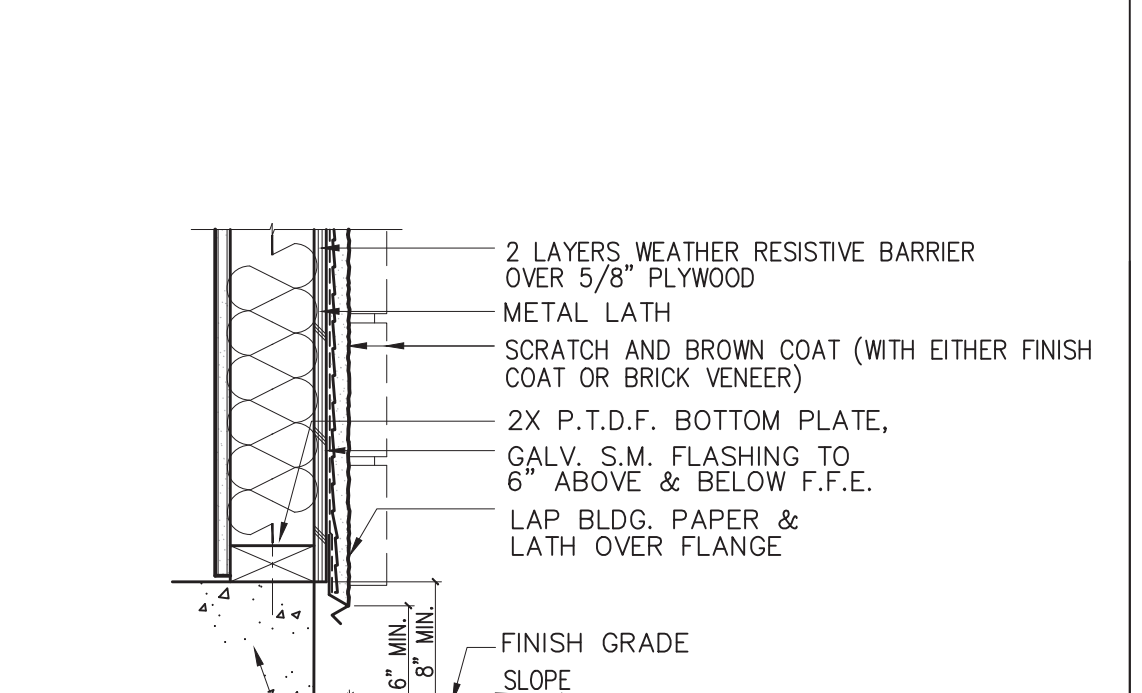
1 WINDOW SILL FLASHING SCALE: 1/2\"/>



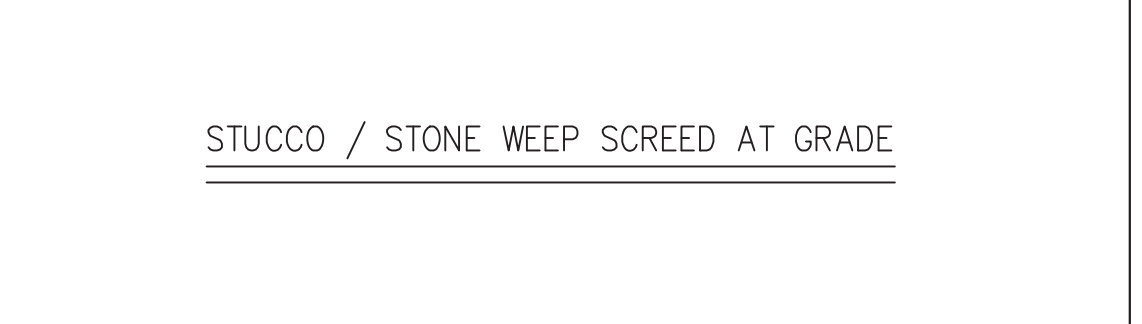
2 DOOR THRESHOLD FLASHING SCALE: 1/2\"/>



3 STUCCO/STONE - WALL SECTION SCALE: 1/2\"/>



3B STUCCO/STONE - WALL SECTION SCALE: 1/2\"/>



3C STUCCO/STONE - WALL SECTION SCALE: 1/2\"/>



3D STUCCO/STONE - WALL SECTION SCALE: 1/2\"/>

BY USING THESE PERMIT READY CONSTRUCTION DOCUMENTS, THE RECIPIENT ACKNOWLEDGES, ACCEPTS AND VOLUNTARILY AFFIRMS THE FOLLOWING CONDITIONS:

- THE USE OF THIS INFORMATION IS RESTRICTED TO THE ORIGINAL PROJECT FOR WHICH IT WAS PREPARED FOR THE PERMIT READY ACCESSORY DWELLING UNIT (ADU) PROGRAM FOR THE CITY OF CARLSBAD ONLY. THIS IS A LIMITED SET OF STANDARDIZED ADU PLANS AND SPECIFICATIONS APPROVED BY THE CITY OF CARLSBAD BUILDING DEPARTMENT. BUILDING CODES DO CHANGE OVER TIME AND RECIPIENT SHALL ENSURE FULL COMPLIANCE UNDER ALL CODES THEN IN EFFECT AT THE TIME OF THE SUBJECT PERMIT. THIS DOES NOT ELIMINATE OR REDUCE THE RECIPIENT'S RESPONSIBILITY TO VERIFY ANY AND ALL INFORMATION RELEVANT TO THE RECIPIENT'S WORK AND RESPONSIBILITY ON THIS PROJECT. DESIGN PATH STUDIO SHALL NOT BE RESPONSIBLE FOR TRANSLATION ERRORS. DO NOT USE THESE CONSTRUCTION DOCUMENTS IF THE PERMIT HAS EXPIRED OR IS REVOKED AT ALL.
- THE RECIPIENT RECOGNIZES AND ACKNOWLEDGES THAT THE USE OF THIS INFORMATION WILL BE AT THEIR SOLE RISK AND WITHOUT ANY LIABILITY OR LEGAL EXPOSURE TO DESIGN PATH STUDIO. NO WARRANTIES OF ANY NATURE, WHETHER EXPRESS OR IMPLIED, SHALL ATTACH TO THESE DOCUMENTS AND THE INFORMATION CONTAINED THEREIN. ANY USE, REUSE, OR ALTERATION OF THESE DOCUMENTS BY THE RECIPIENT OR BY OTHERS WILL BE AT THE RECIPIENT'S RISK AND FULL LEGAL RESPONSIBILITY. FURTHERMORE, THE RECIPIENT WILL, TO THE FULLEST EXTENT PERMITTED BY LAW, DEFEND, INDEMNIFY AND HOLD DESIGN PATH STUDIO AND ITS ARCHITECTS HARMLESS FROM ANY AND ALL CLAIMS, SUITS, LIABILITY, DEMANDS, JUDGMENTS, OR COSTS ARISING OUT OF OR RESULTING THERE FROM ANY USE OF THESE CONSTRUCTION DOCUMENTS FOR OR ON ACCOUNT OF ANY INJURY, DEATH, DAMAGE OR LOSS TO PERSONS OR PROPERTY, DIRECT OR CONSEQUENTIAL DAMAGES IN ANY AMOUNT. THIS INDEMNITY DOES NOT APPLY TO THE SOLE NEGLIGENCE OR WILLFUL MISCONDUCT OF DESIGN PATH STUDIO OR ITS ARCHITECTS.
- THE DESIGNS REPRESENTED BY THESE PLANS ARE COPYRIGHTED AND ARE SUBJECT TO COPYRIGHT PROTECTION.
- IF THE RECIPIENT DOES NOT AGREE WITH THE ABOVE CONDITIONS, DO NOT PROCEED WITH CONSTRUCTION OF AN ADU OR OTHER IMPROVEMENT UNDER THESE PLANS AT ALL.

project  
City of Carlsbad  
Pre-Approved ADU  
Program

revisions  
△  
△  
△  
△  
△

description  
Architectural  
Wall & Roof  
Details

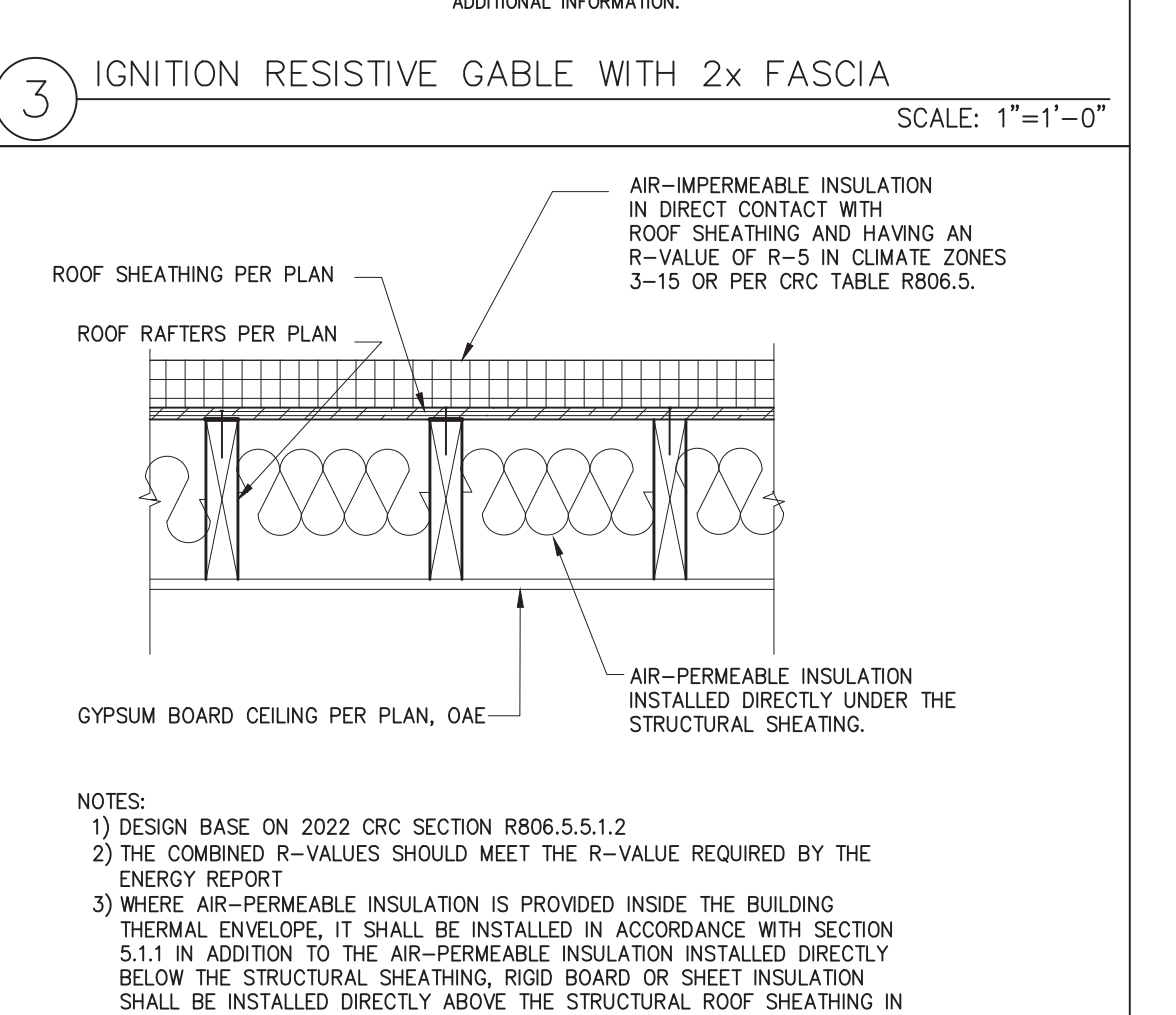
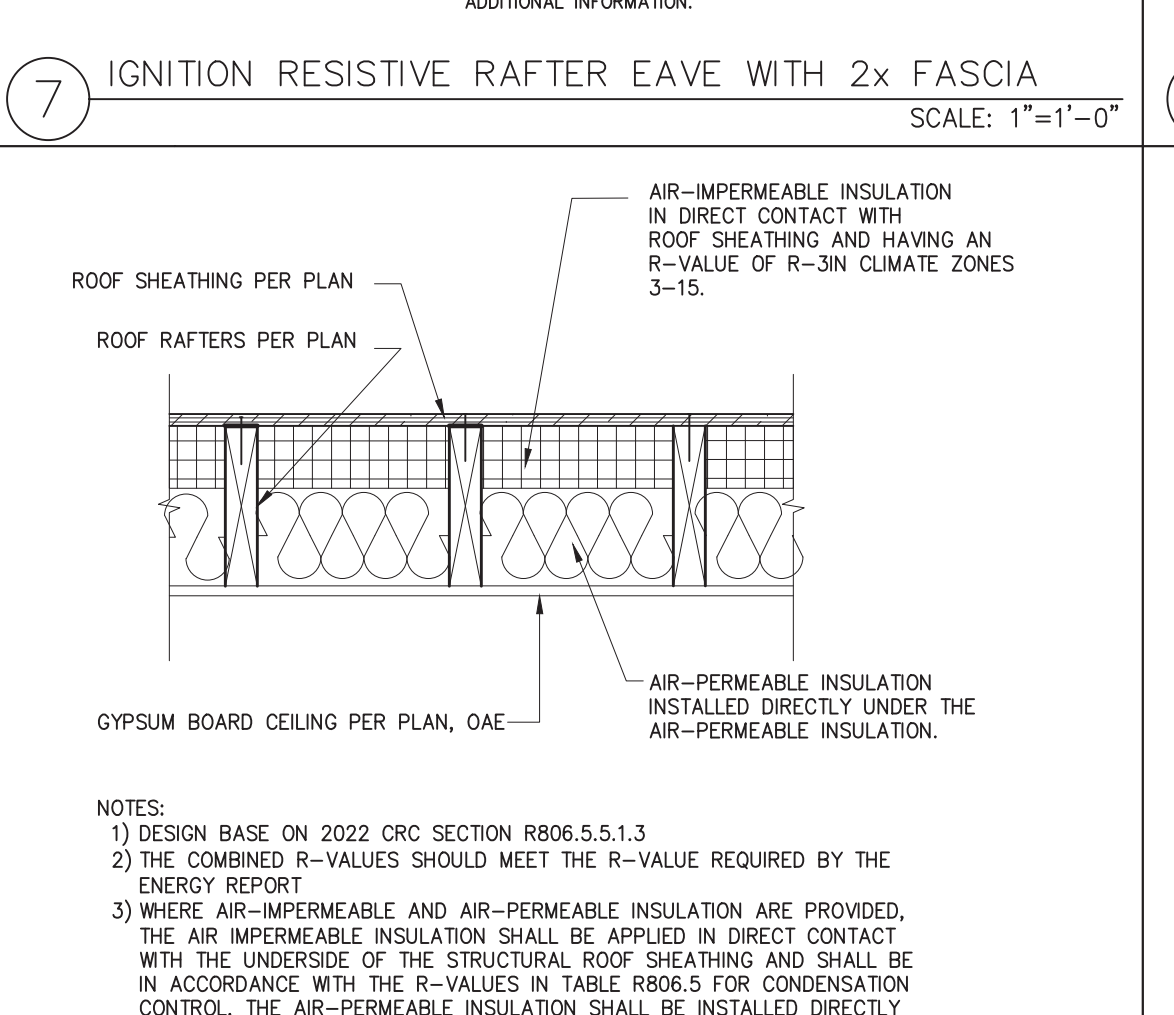
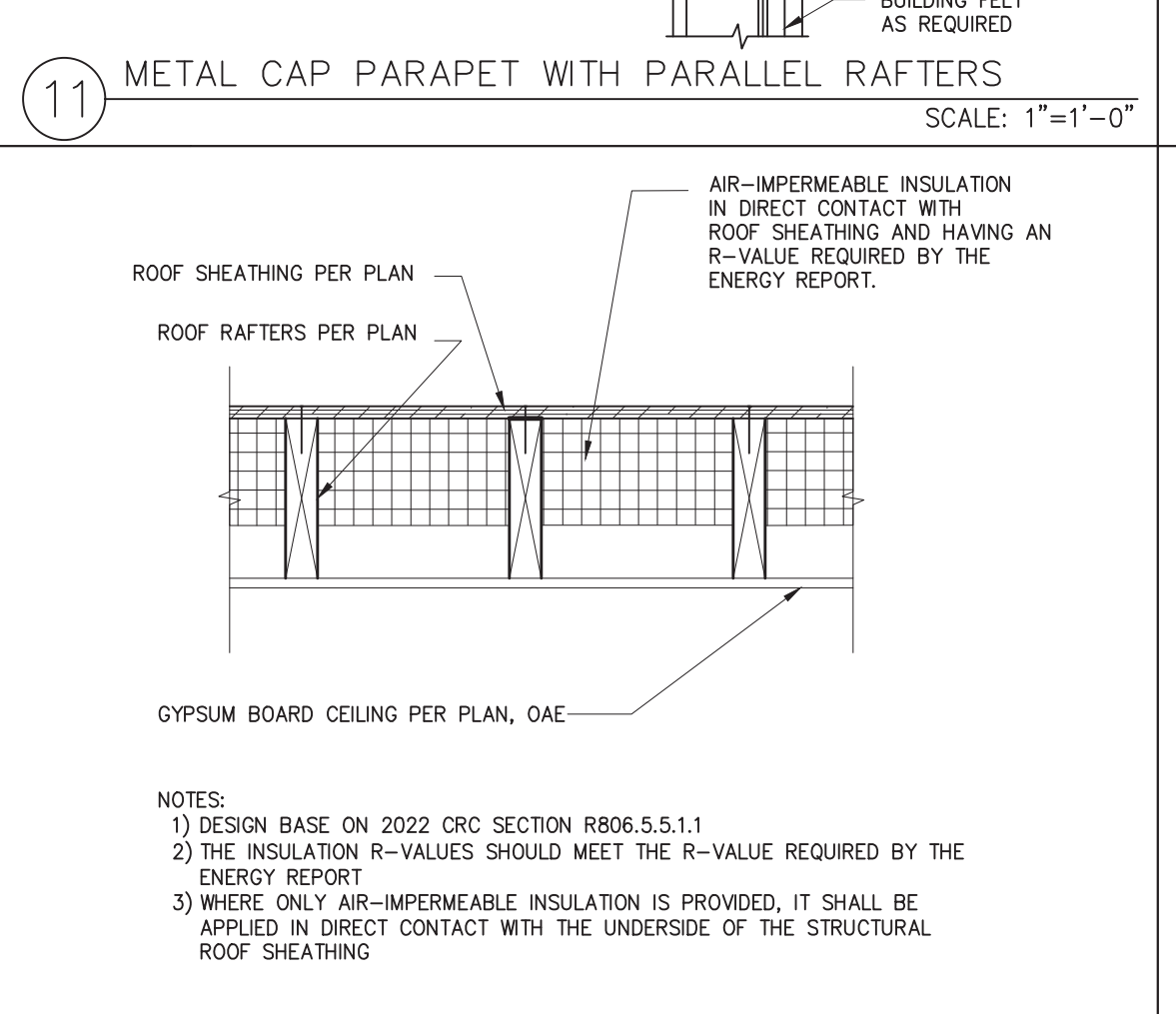
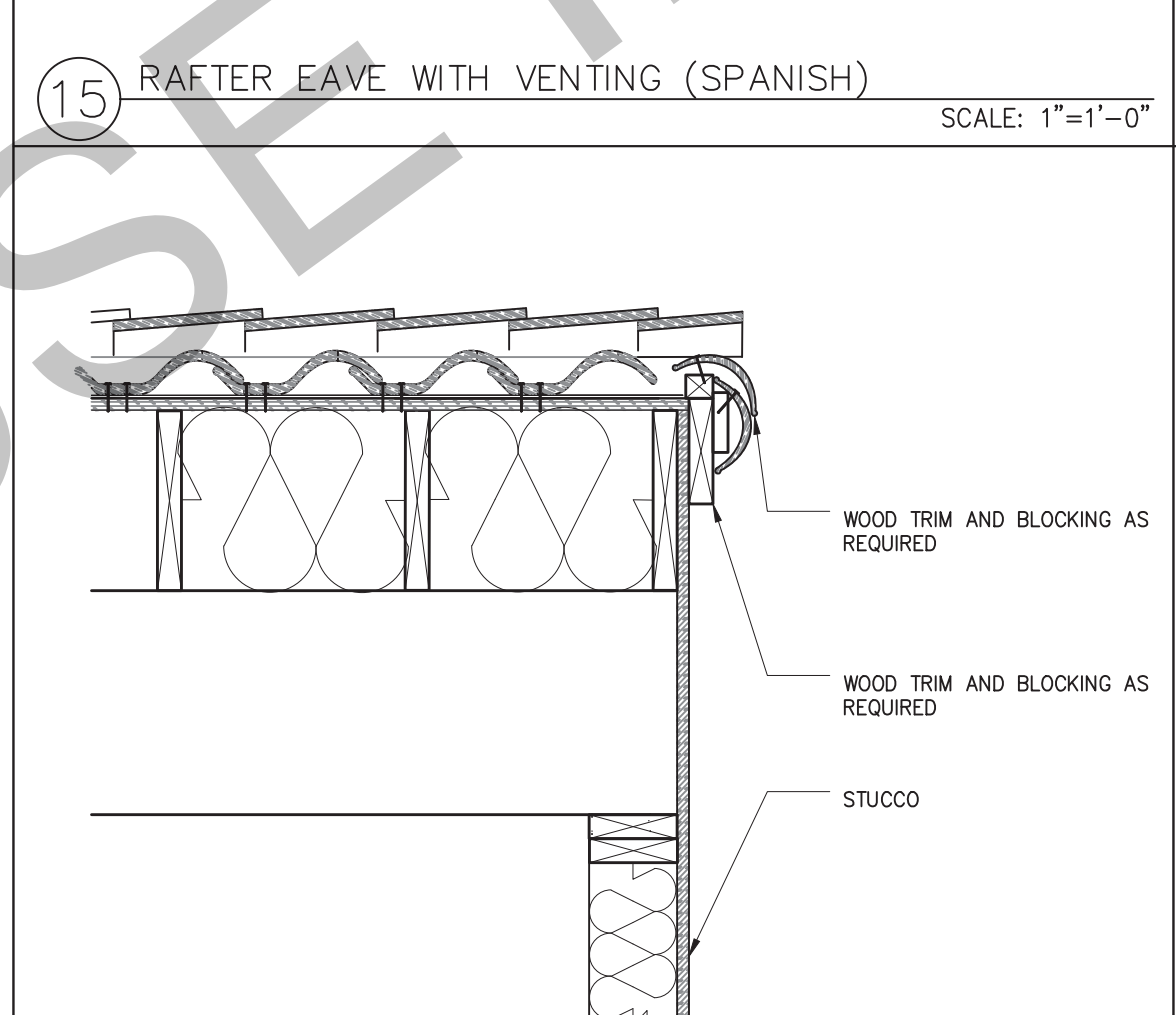
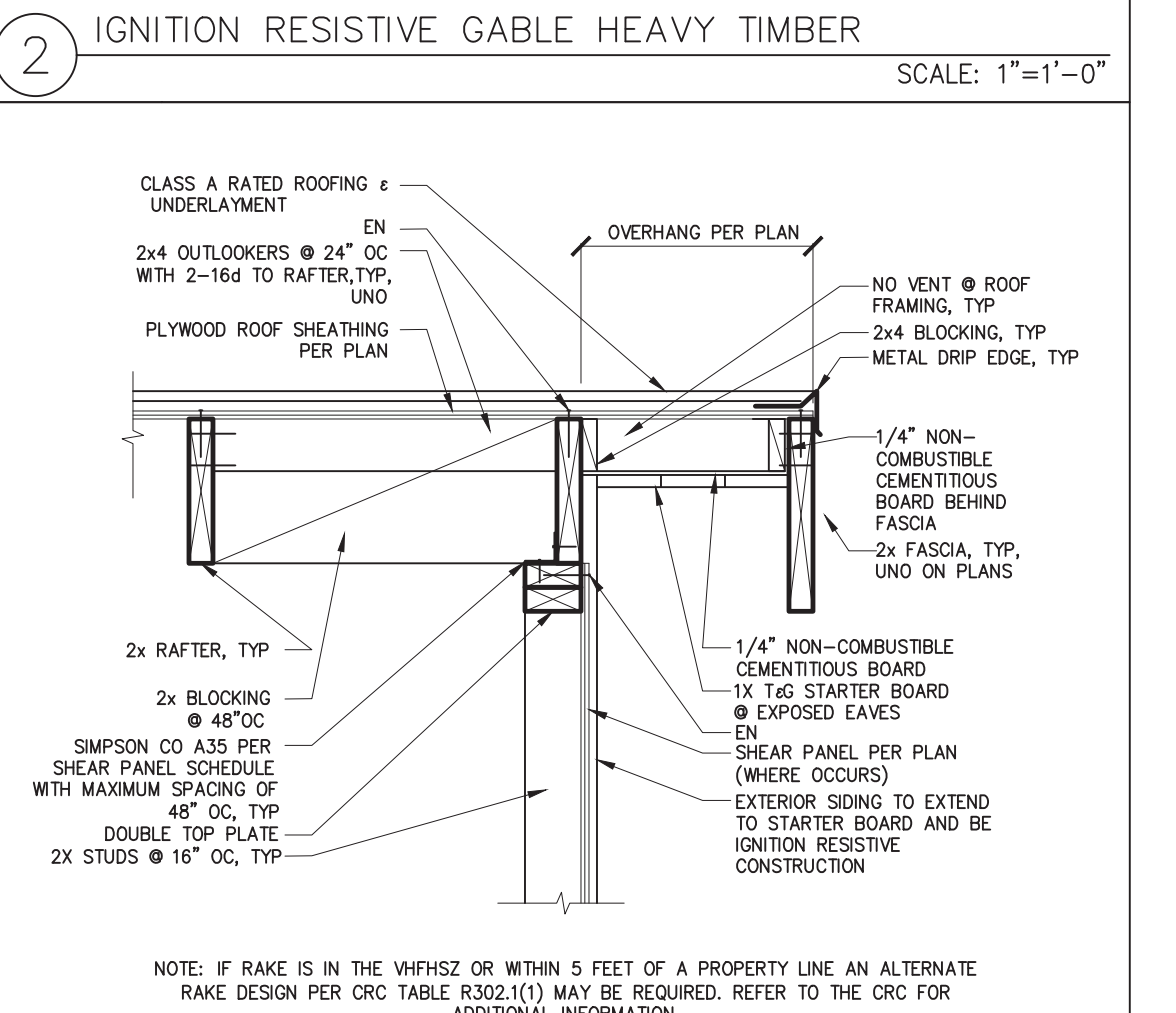
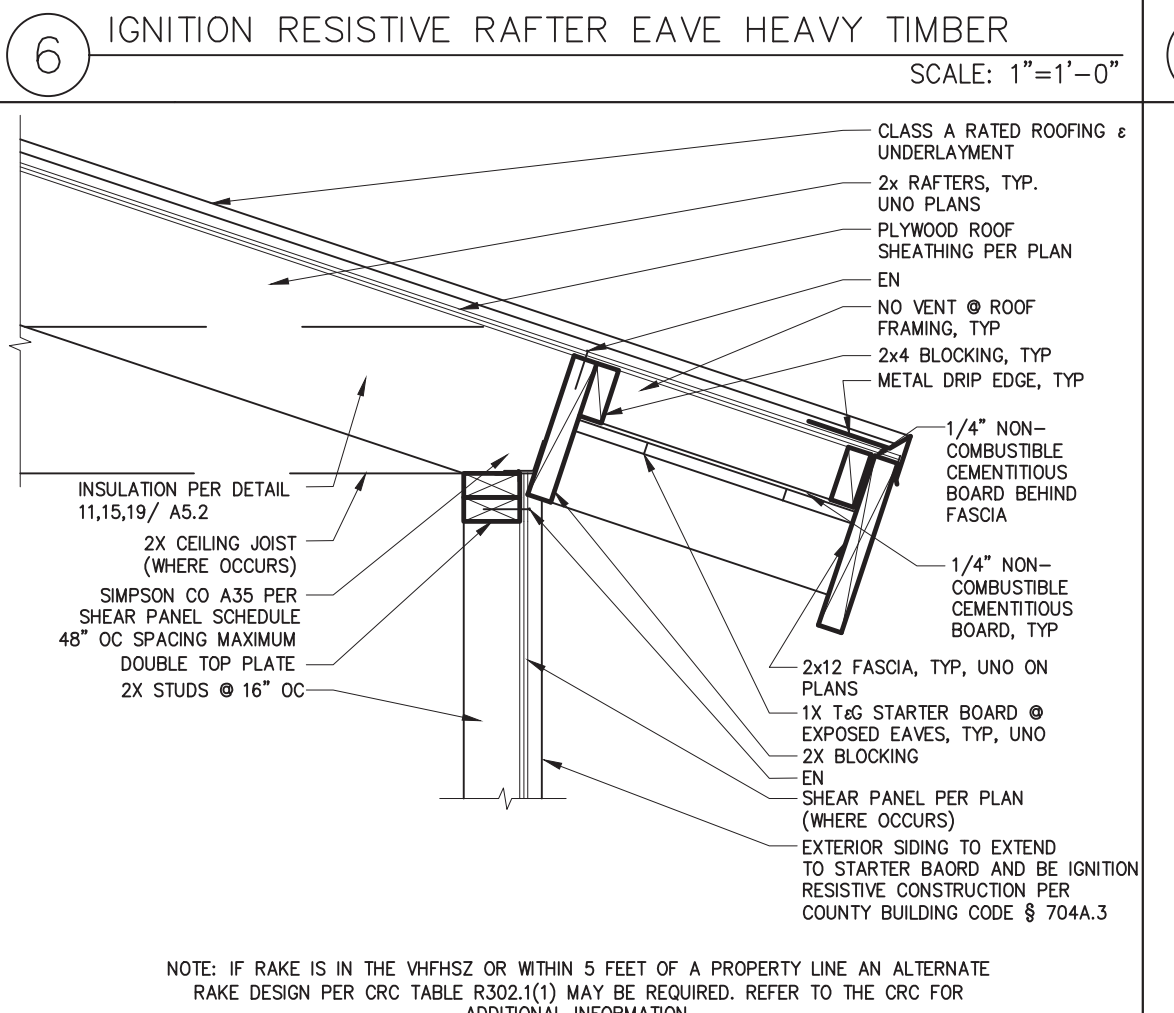
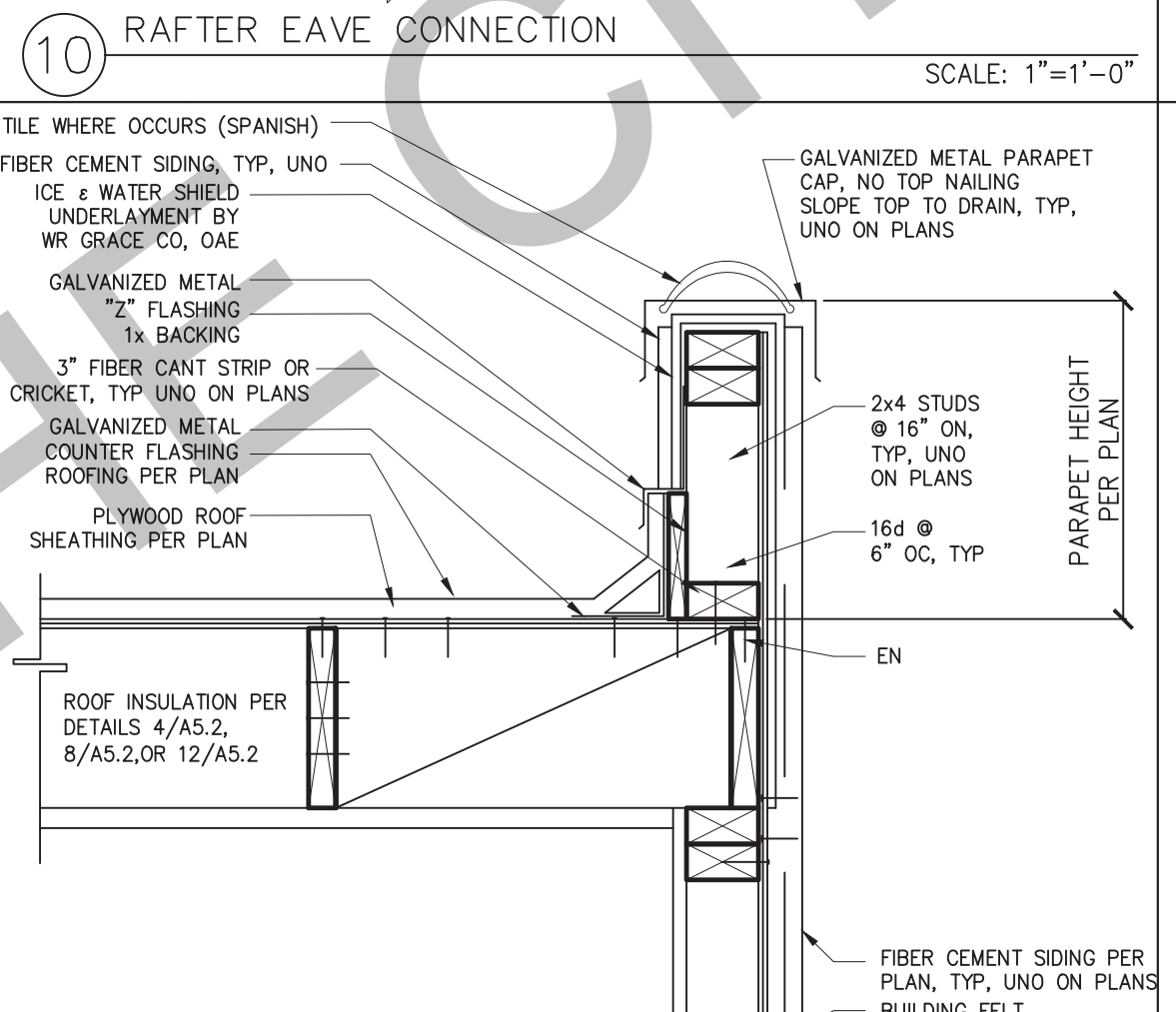
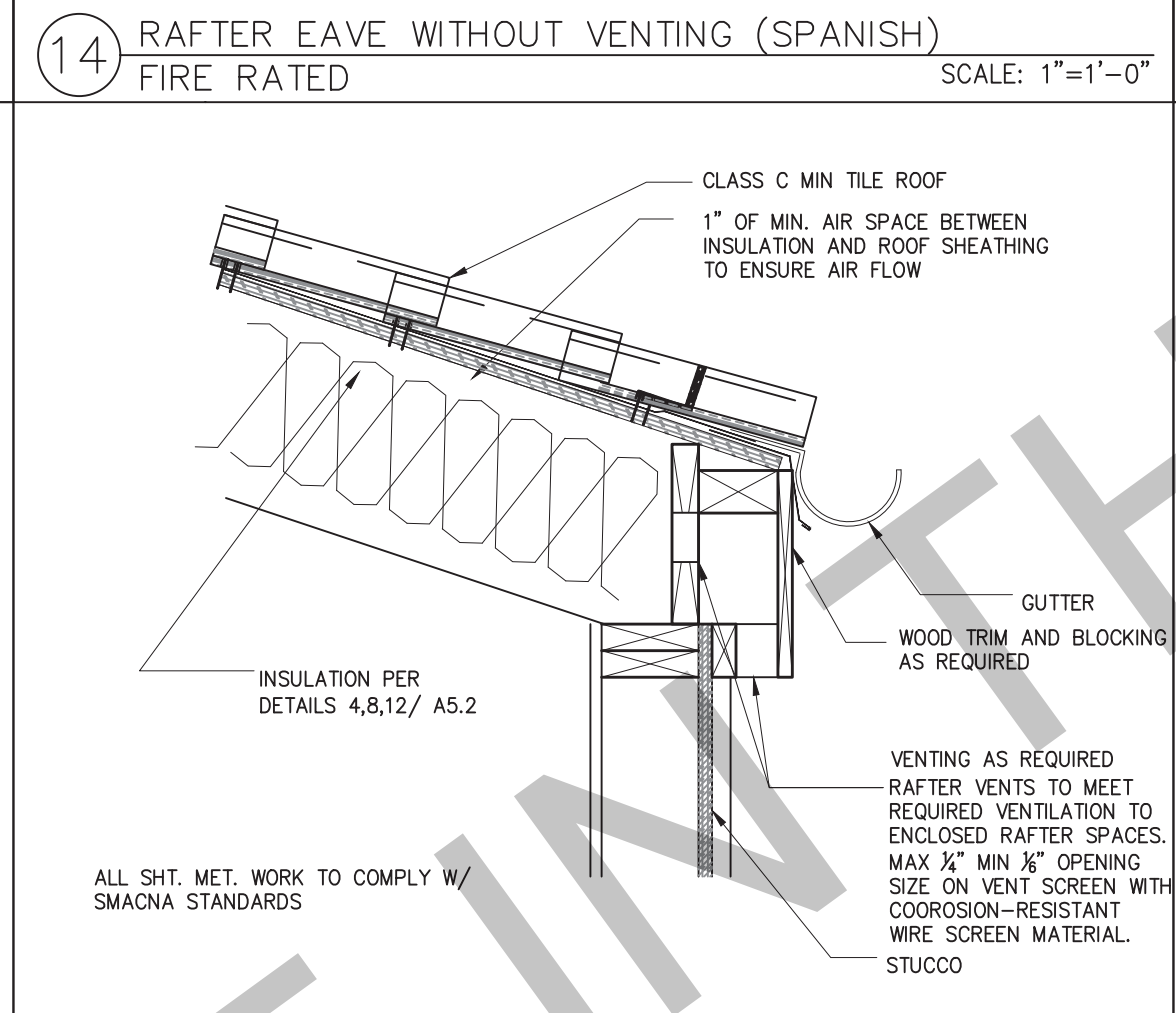
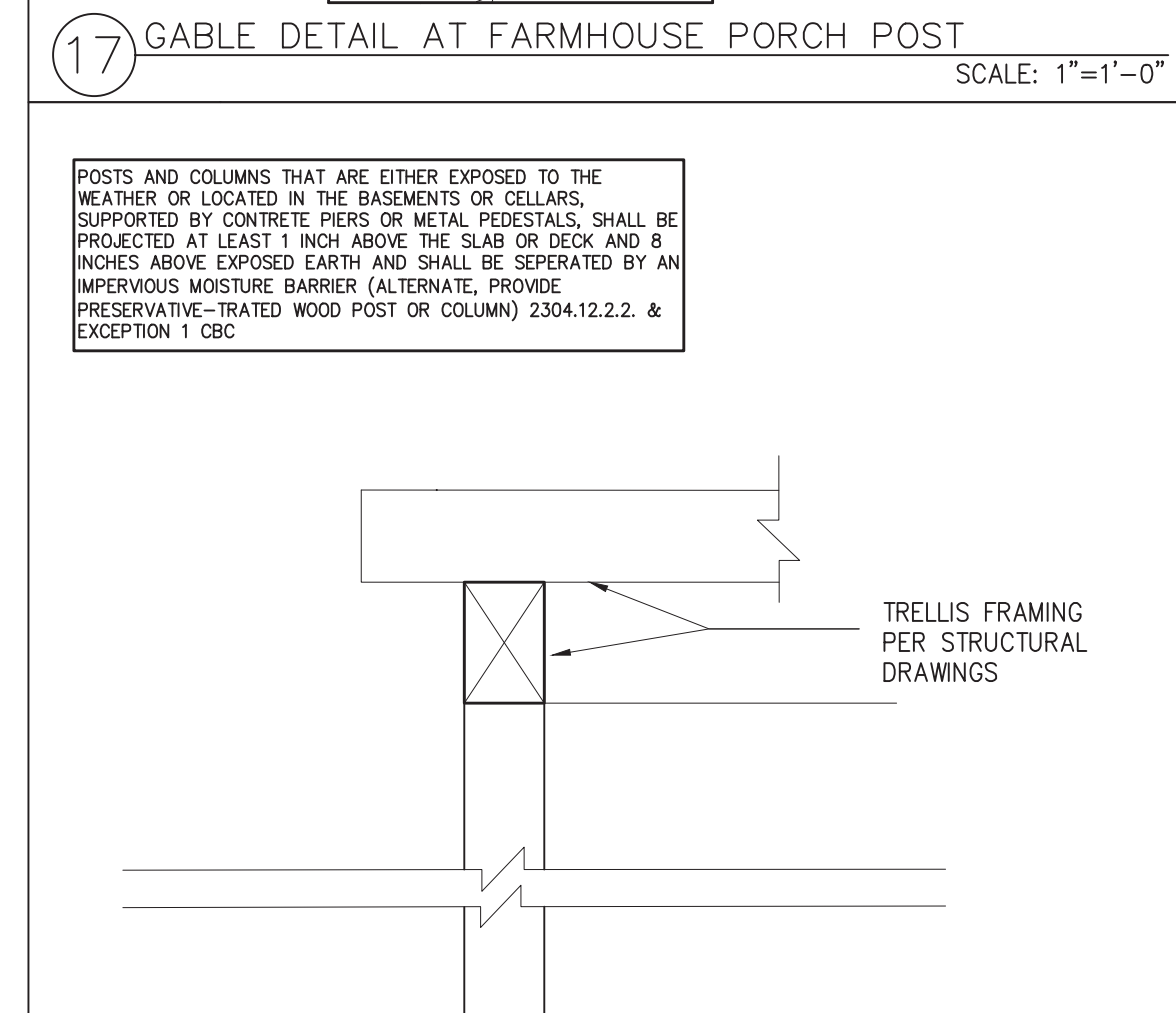
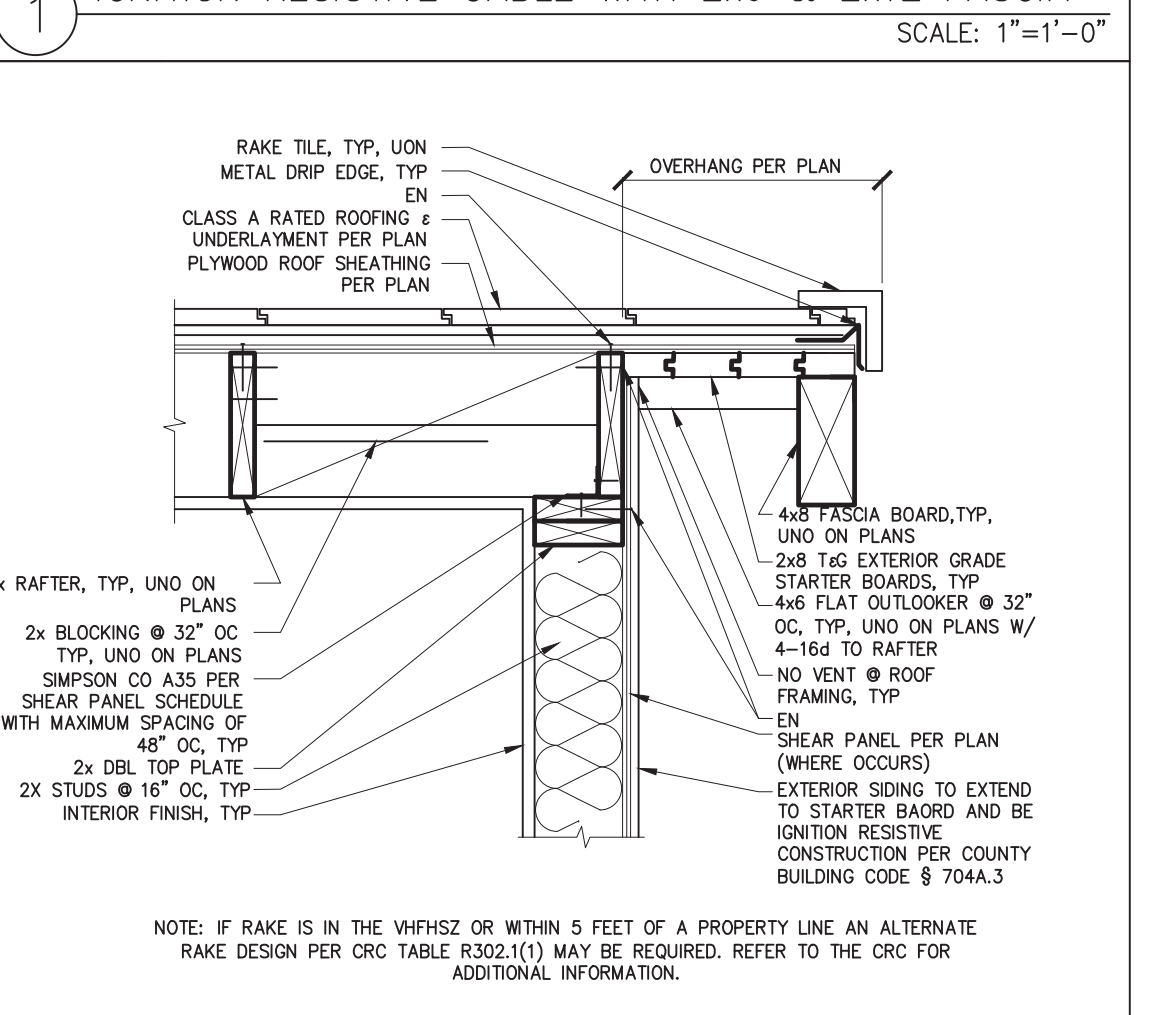
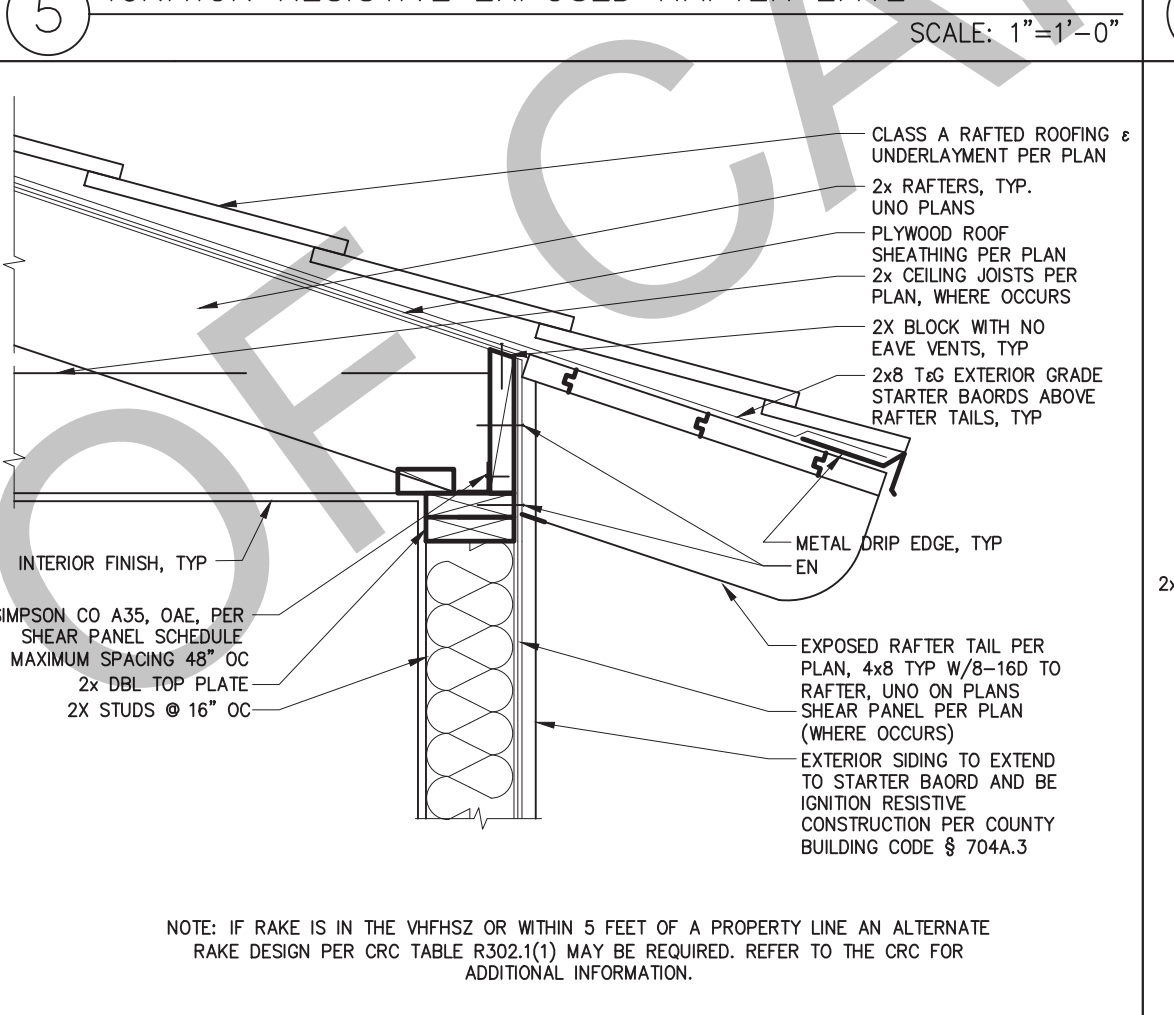
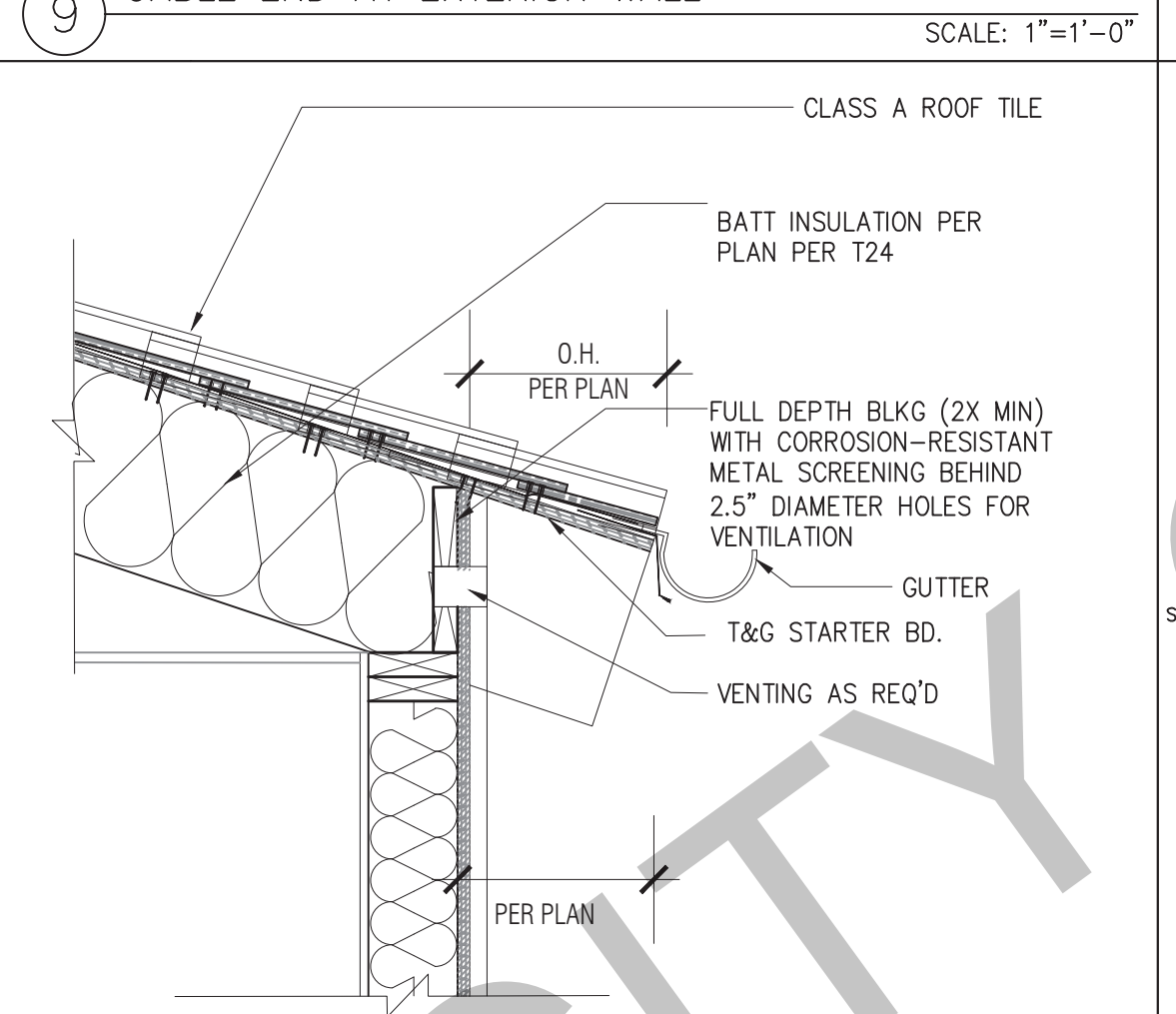
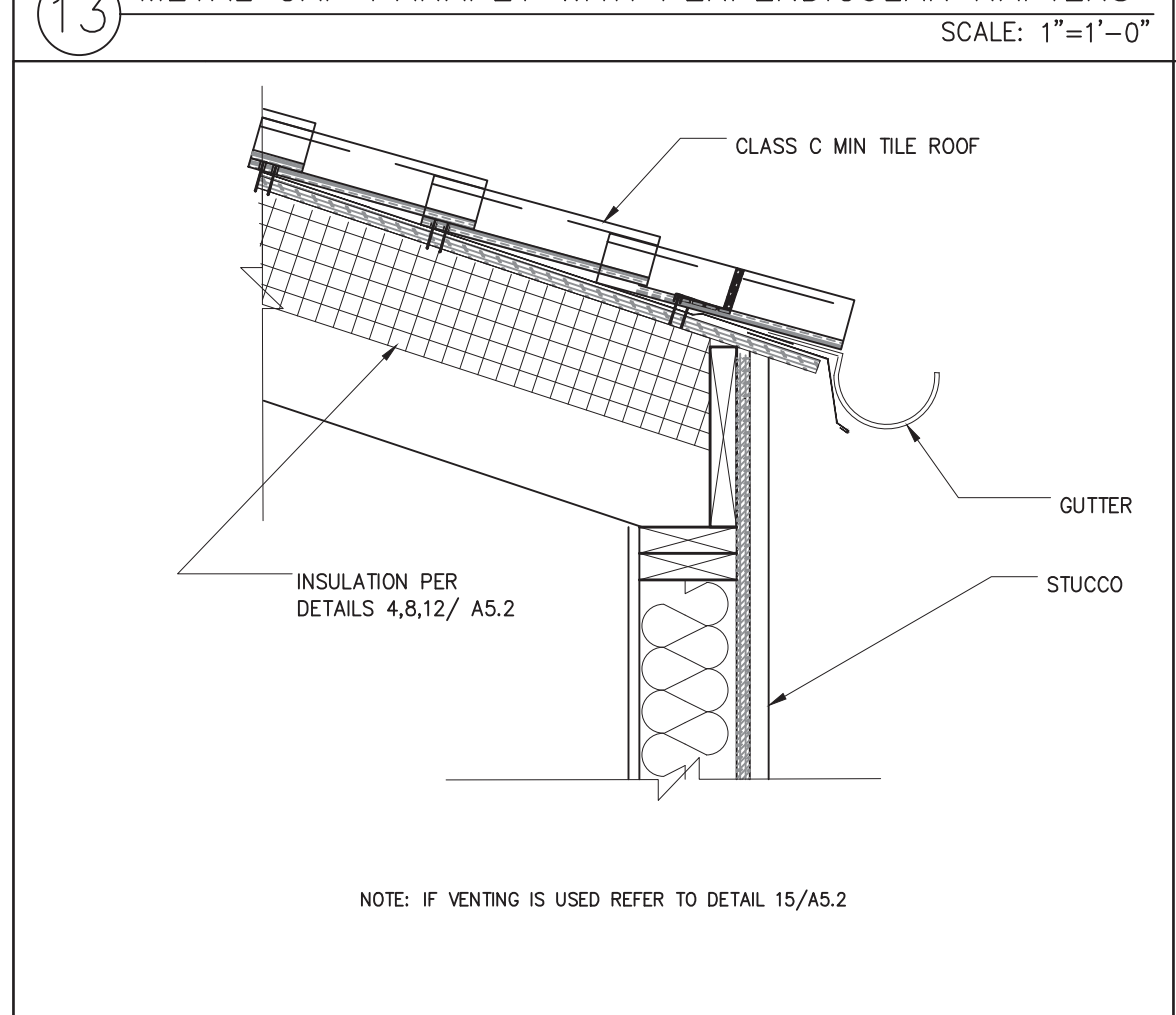
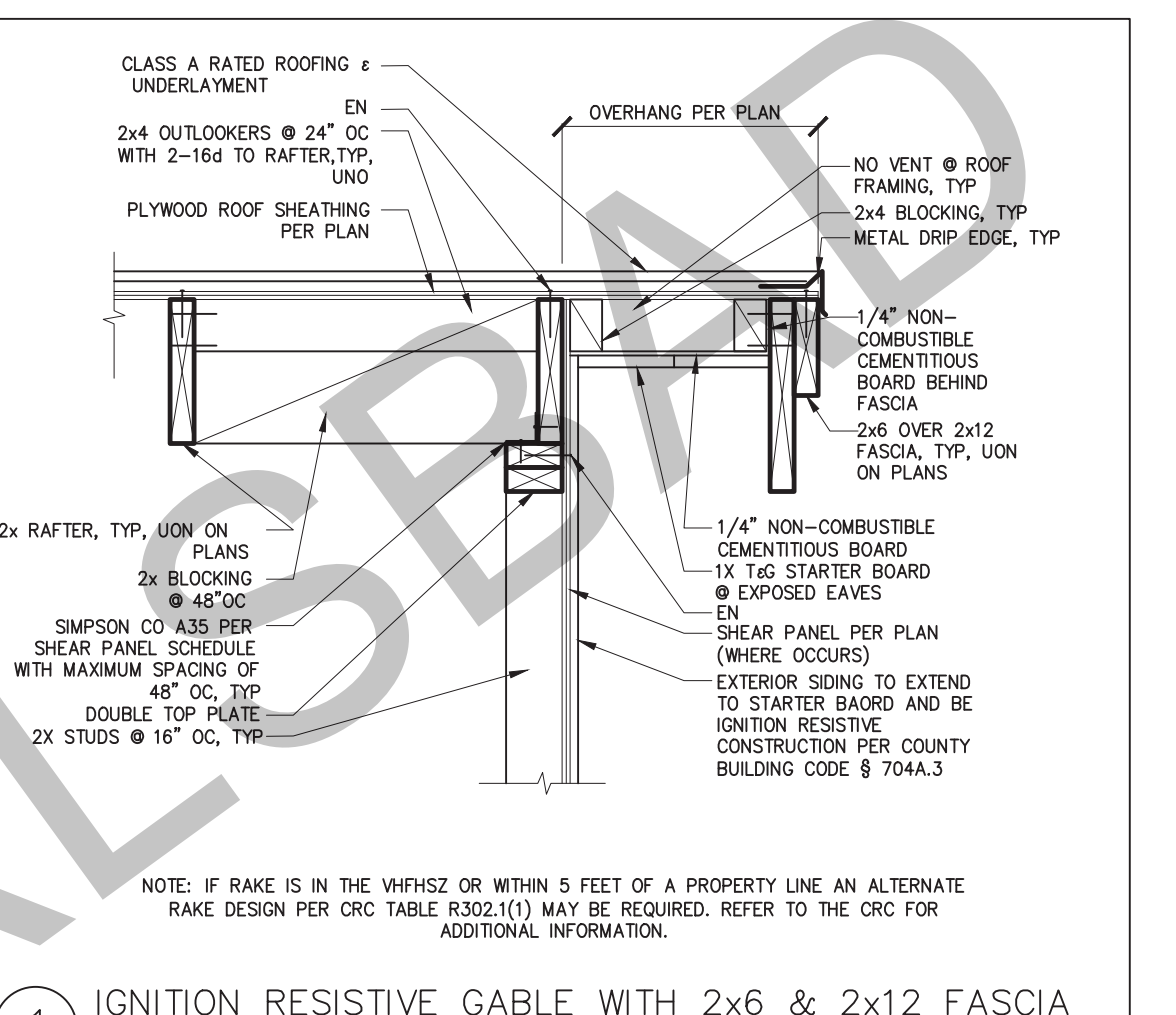
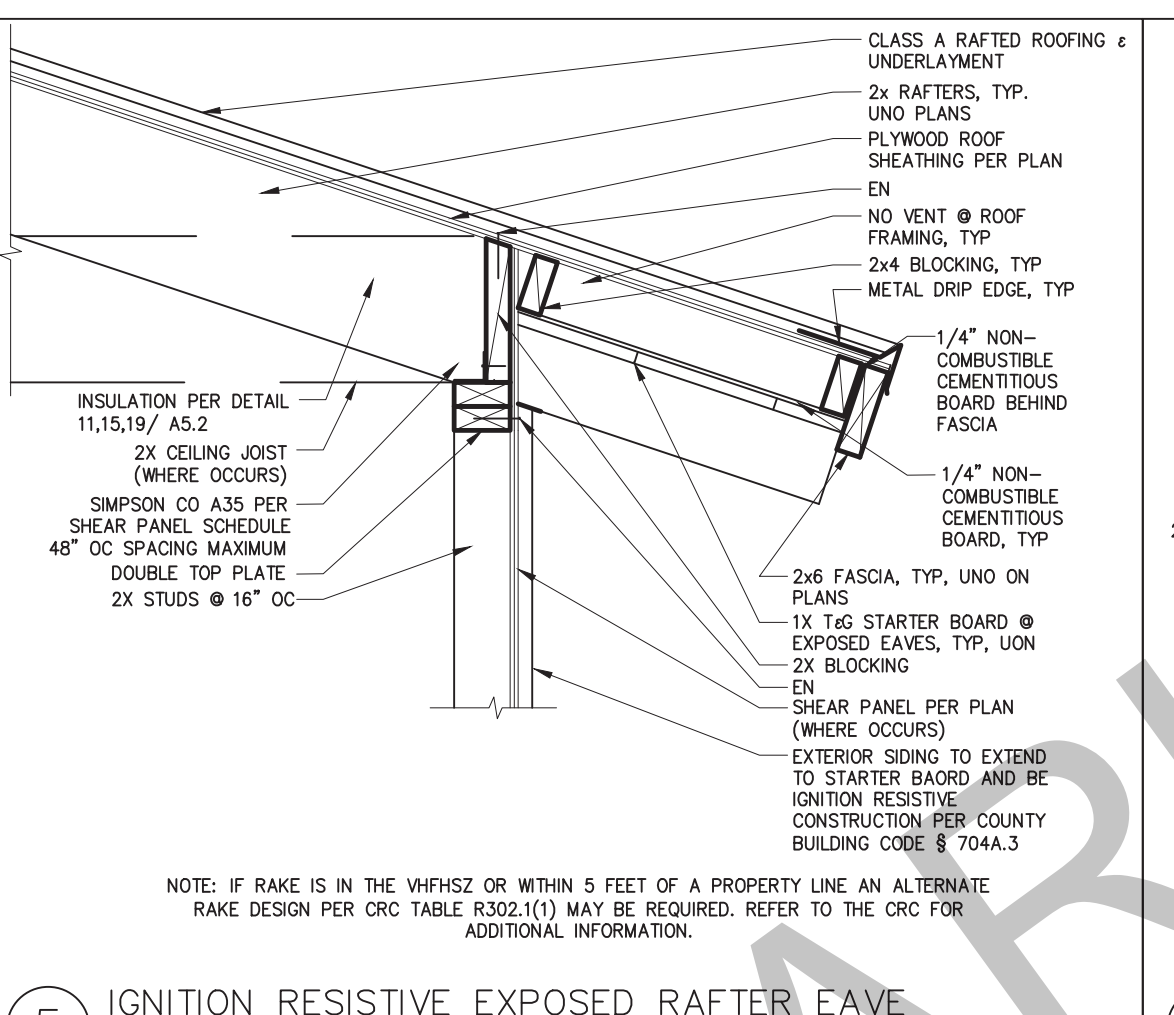
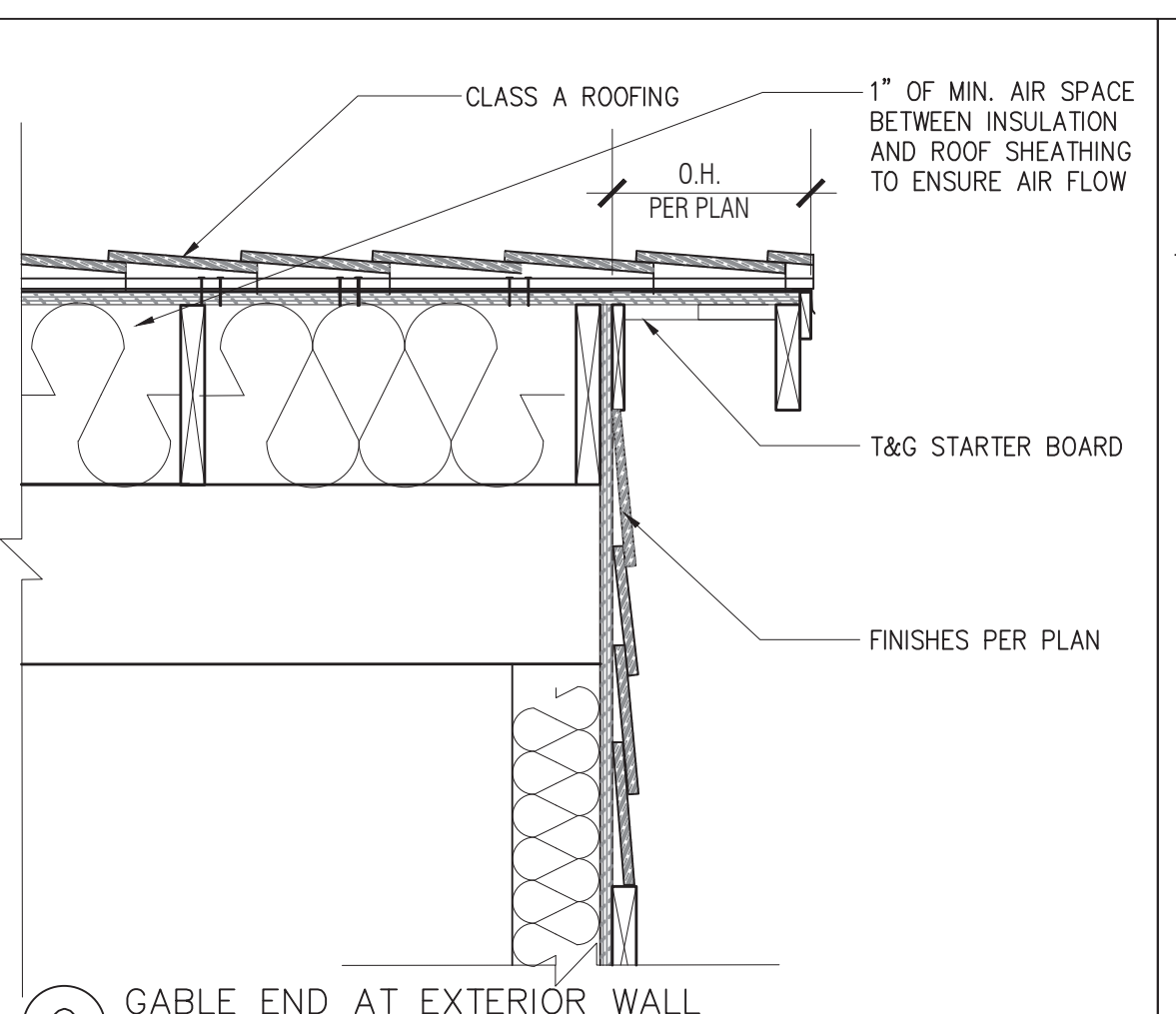
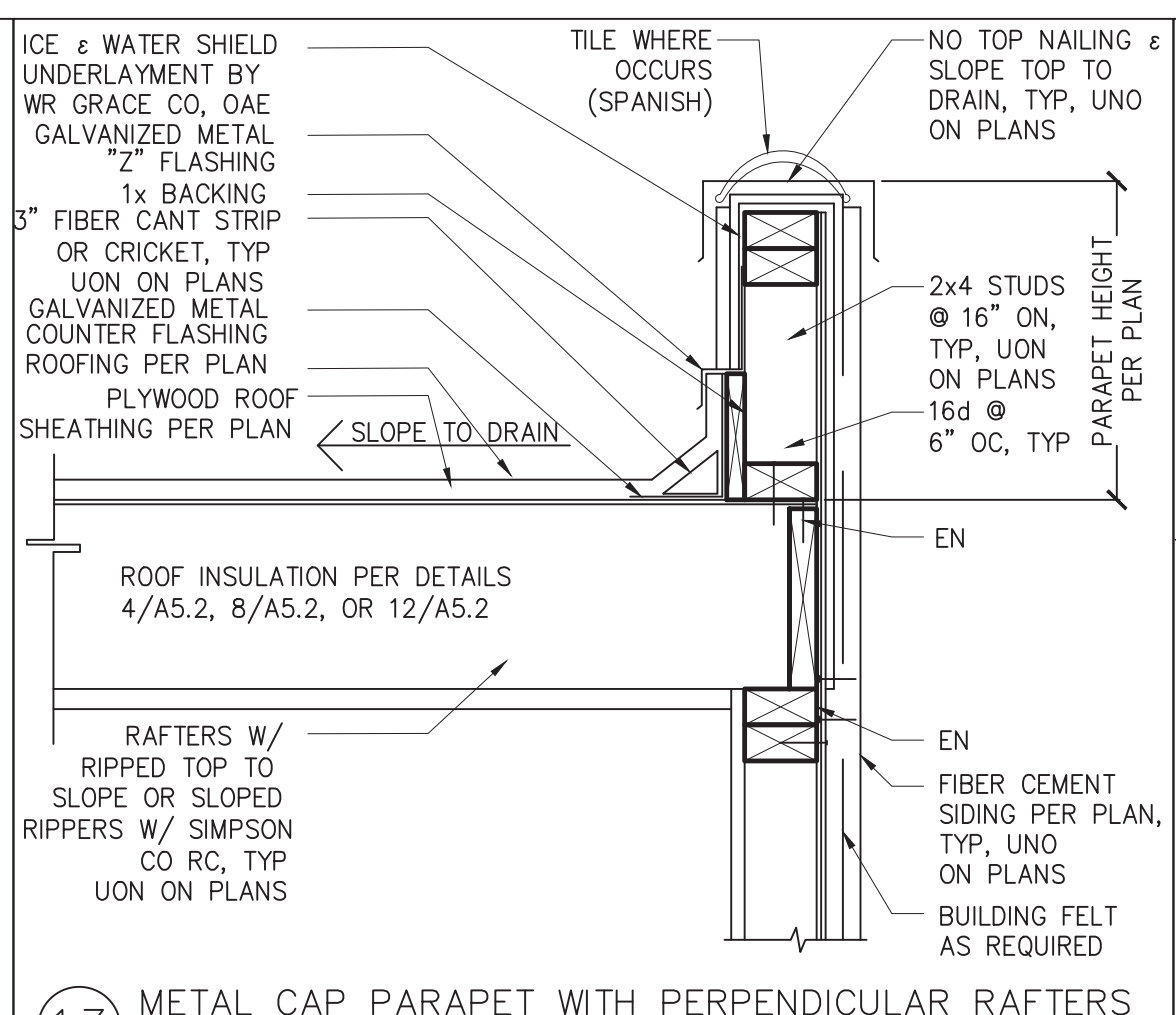
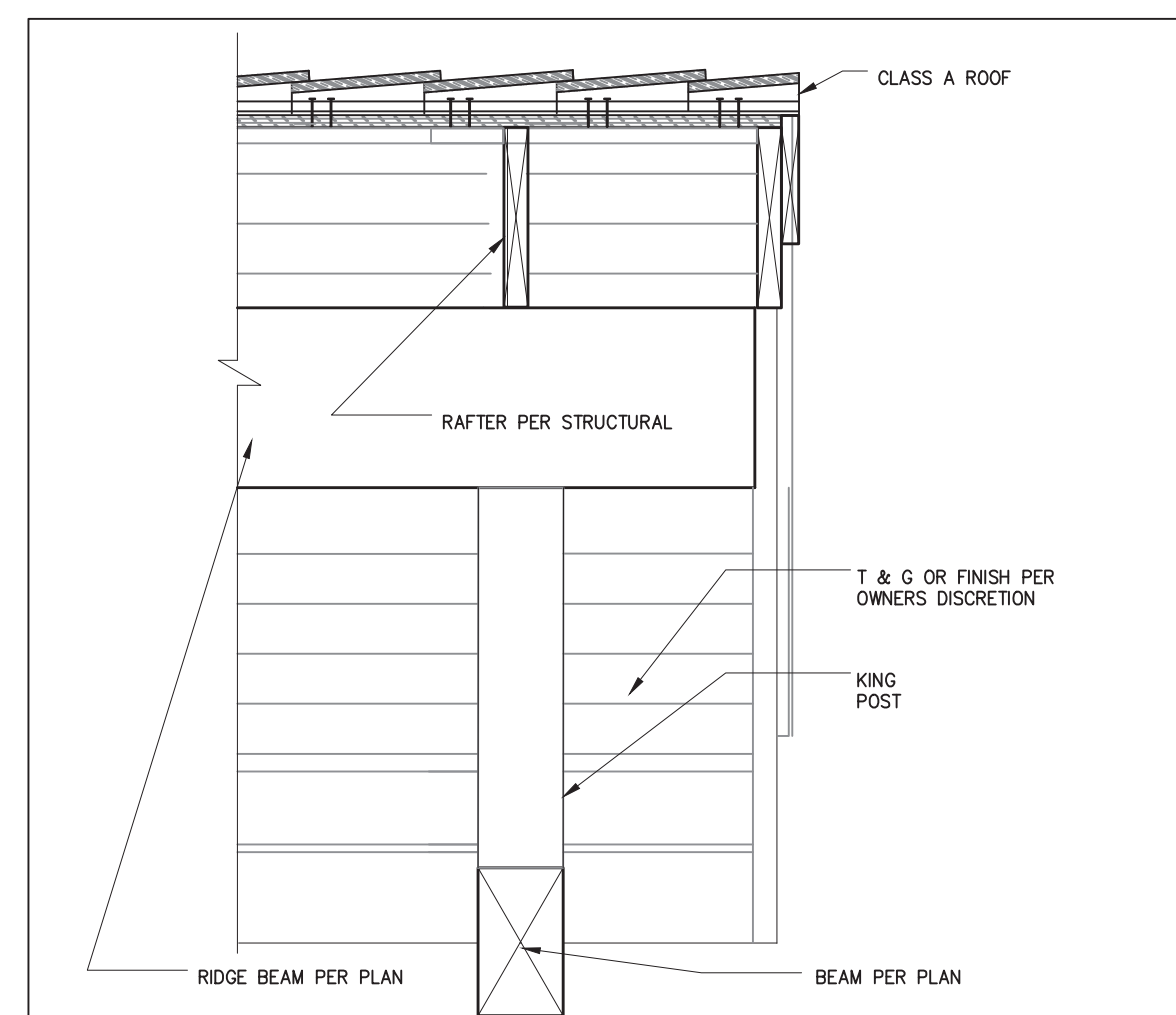
date 05 May 2023

project no. 2022\_Carlsbad\_ADU

drawn by Design Path Studio

sheet no. A5.1





20 TRELLIS BEAM AND POST BASE SCALE: 1"=1'-0"

16 GABLE END AT EXTERIOR WALL (SPANISH) SCALE: 1"=1'-0"

12 INSULATION @ UNVENTED ROOF ASSEMBLY IMPERMEABLE ONLY SCALE: 1"=1'-0"

8 INSULATION @ UNVENTED ROOF ASSEMBLY BOTH TYPES SCALE: 1"=1'-0"

4 INSULATION AT UNVENTED ROOF ASSEMBLY-OVER/UNDER SCALE: 1"=1'-0"

BY USING THESE PERMIT READY CONSTRUCTION DOCUMENTS, THE RECIPIENT ACKNOWLEDGES, ACCEPTS AND VOLUNTARILY AFFIRMS THE FOLLOWING CONDITIONS:

1. THE USE OF THIS INFORMATION IS RESTRICTED TO THE ORIGINAL PROJECT FOR WHICH IT WAS PREPARED FOR THE PERMIT READY ACCESSORY DWELLING UNIT (ADU) PROGRAM FOR THE CITY OF CARLSBAD ONLY. THIS IS A LIMITED SET OF STANDARDIZED ADU PLANS AND SPECIFICATIONS APPROVED BY THE CITY OF CARLSBAD BUILDING DEPARTMENT. BUILDING CODES DO CHANGE OVER TIME AND RECIPIENT SHALL ENSURE FULL COMPLIANCE UNDER ALL CODES THEN IN EFFECT AT THE TIME OF THE SUBJECT PERMIT. THIS DOES NOT ELIMINATE OR REDUCE THE RECIPIENT'S RESPONSIBILITY TO VERIFY ANY AND ALL INFORMATION RELEVANT TO THE RECIPIENT'S WORK AND RESPONSIBILITY ON THIS PROJECT. DESIGN PATH STUDIO SHALL NOT BE RESPONSIBLE FOR TRANSLATION ERRORS. DO NOT USE THESE CONSTRUCTION DOCUMENTS IF THE PERMIT HAS EXPIRED OR IS REVOKED AT ALL.
2. THE RECIPIENT RECOGNIZES AND ACKNOWLEDGES THAT THE USE OF THIS INFORMATION WILL BE AT THEIR SOLE RISK AND WITHOUT ANY LIABILITY OR LEGAL EXPOSURE TO DESIGN PATH STUDIO. NO WARRANTIES OF ANY NATURE, WHETHER EXPRESS OR IMPLIED, SHALL ATTACH TO THESE DOCUMENTS AND THE INFORMATION CONTAINED THEREON. ANY USE, REUSE, OR ALTERATION OF THESE DOCUMENTS BY THE RECIPIENT OR BY OTHERS WILL BE AT THE RECIPIENT'S RISK AND FULL LEGAL RESPONSIBILITY. FURTHERMORE, THE RECIPIENT WILL, TO THE FULLEST EXTENT PERMITTED BY LAW, DEFEND, INDEMNIFY AND HOLD DESIGN PATH STUDIO AND ITS ARCHITECTS HARMLESS FROM ANY AND ALL CLAIMS, SUITS, LIABILITY, DEMANDS, JUDGMENTS, OR COSTS ARISING OUT OF OR RESULTING THERE FROM ANY USE OF THESE CONSTRUCTION DOCUMENTS FOR OR ON ACCOUNT OF ANY INJURY, DEATH, DAMAGE OR LOSS TO PERSONS OR PROPERTY, DIRECT OR CONSEQUENTIAL DAMAGES IN ANY AMOUNT, THIS INDEMNITY DOES NOT APPLY TO THE SOLE NEGLIGENCE OR WILLFUL MISCONDUCT OF DESIGN PATH STUDIO OR ITS ARCHITECTS.
3. THE DESIGNS REPRESENTED BY THESE PLANS ARE COPYRIGHTED AND ARE SUBJECT TO COPYRIGHT PROTECTION.
4. IF THE RECIPIENT DOES NOT AGREE WITH THE ABOVE CONDITIONS, DO NOT PROCEED WITH THE CONSTRUCTION OF AN ADU OR OTHER IMPROVEMENT UNDER THESE PLANS AT ALL.

project  
City of Carlsbad  
Pre-Approved ADU  
Program

revisions  
△  
△  
△  
△  
△

description  
Architectural  
Roof  
Details

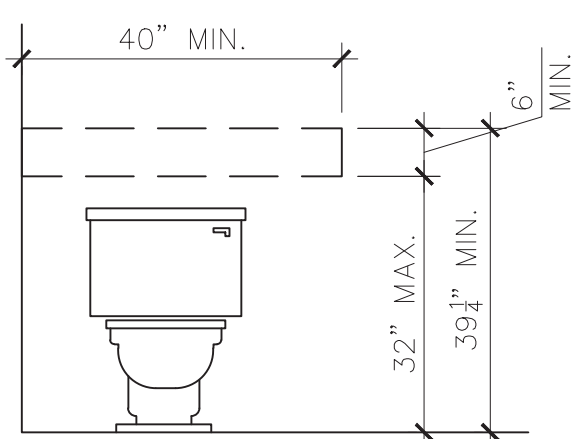
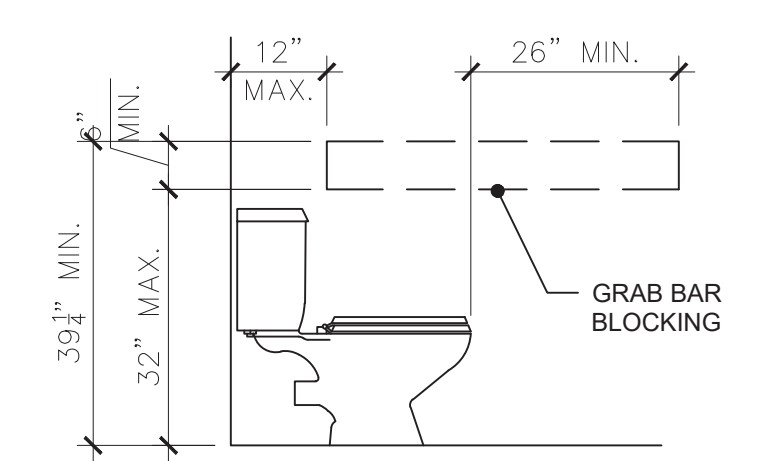
date 05 May 2023

project no. 2022\_Carlsbad\_ADU

drawn by Design Path Studio

sheet no. **A5.2**





ELEVATIONS

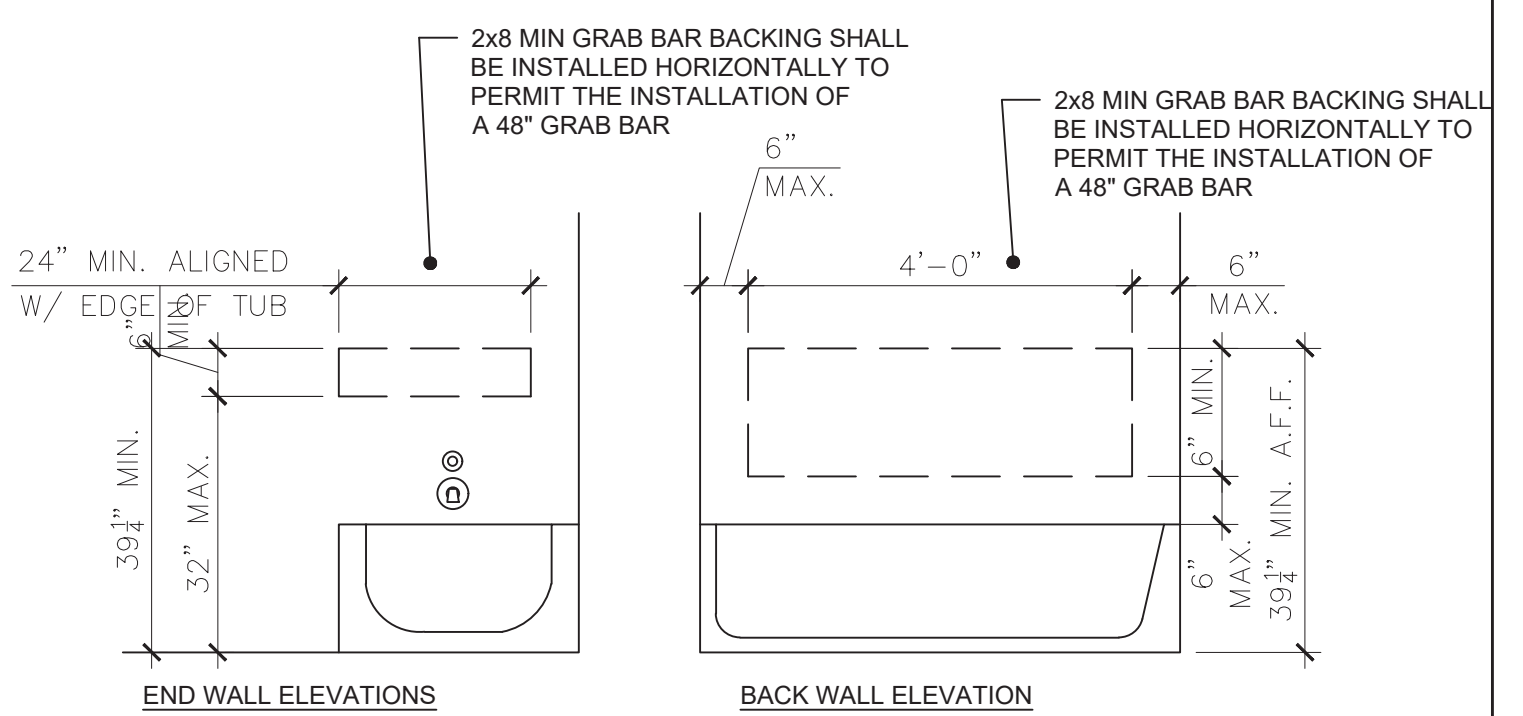
NOTES:  
WHERE WATER CLOSETS ARE NOT PLACED ADJACENT TO A SIDE WALL, PROVIDE FOR INSTALLATION OF FLOOR-MOUNTED, FOLDAWAY OR SIMILAR ALTERNATIVE GRAB BARS. (SEC. 1134A.7.2)

IN LOCATIONS WHERE WATER CLOSETS ARE ADJACENT TO NON-GRAB BAR WALLS, VANITIES, LAVATORIES OR BATHTUBS, THE CENTERLINE OF THE FIXTURE SHALL BE A MINIMUM OF 18 INCHES FROM THE OBSTACLE. (SEC. 1134A.7.1)

WATER CLOSET CONTROLS SHALL BE MOUNTED NO MORE THAN 44 INCHES ABOVE THE FLOOR. THE FORCE TO ACTIVATE CONTROLS SHALL BE NO GREATER THAN 5 POUNDS. (SEC. 1134A.7.4)

RESTROOM RES. WATER CLOSET (CBC 11A)

3



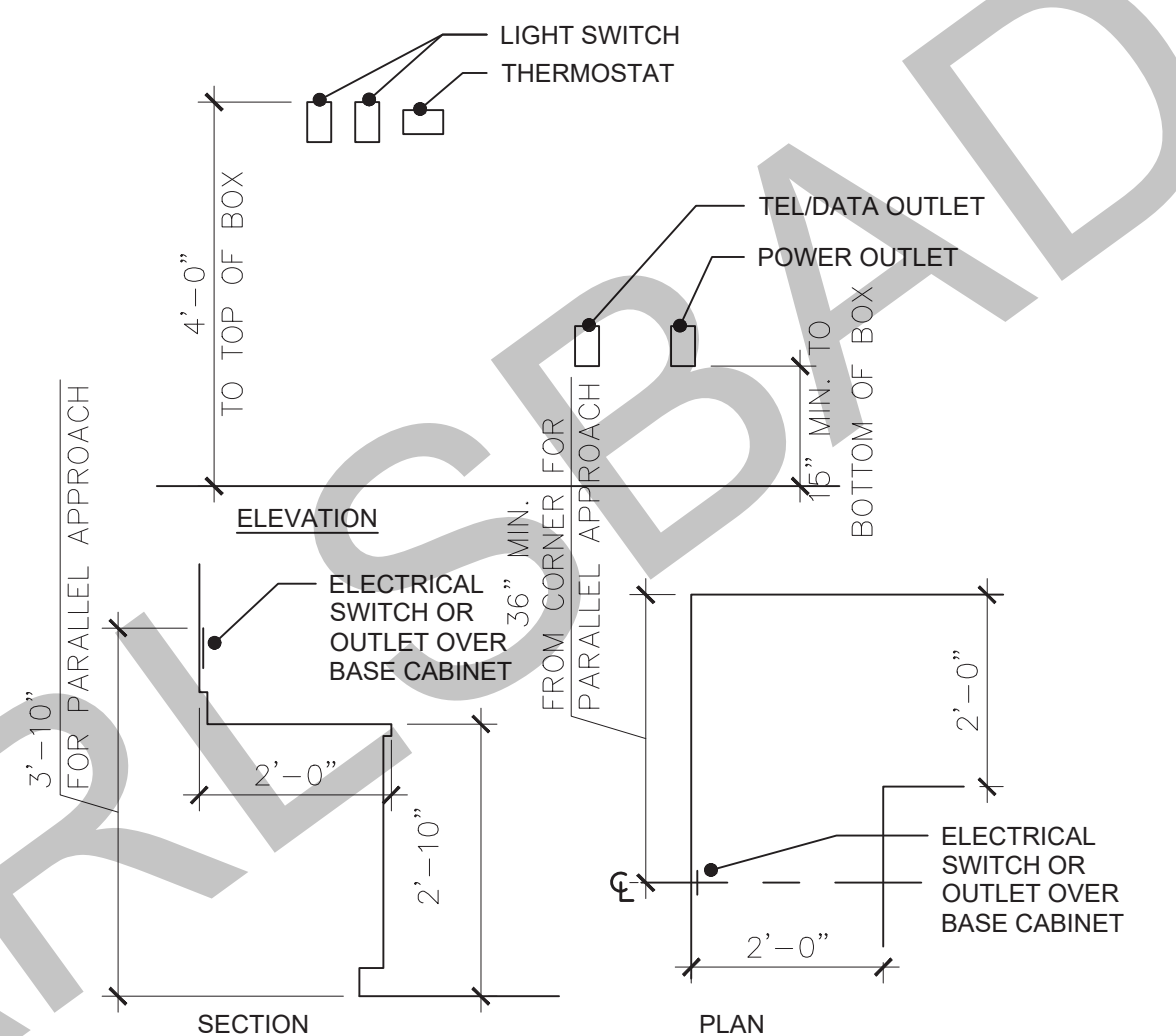
END WALL ELEVATIONS

BACK WALL ELEVATION

PLAN

RESTROOM RES. BATHTUB/SHOWER (R327.1.1)

2



ELEVATION

SECTION

PLAN

DWELLING UNIT SWITCH LOCATIONS (R327.1.2)

1

NOTES:  
LOCATE ELECTRICAL OUTLETS, SWITCHES AND CONTROLS WITHIN ADAPTABLE DWELLING UNITS TO COMPLY WITH CBC SEC. 1136A.1&2, WITHIN COMMON AREAS FOR RESIDENT USE PER CBC SEC. 1142A.1&2 AND WITHIN COMMON AREAS FOR PUBLIC USE PER CBC SEC. 11B-308.

RESIDENTIAL UNIT BATHROOM AGING IN PLACE REQUIREMENTS (SINGLE BATHROOM OPTION)

CRC R327.1.1 - REINFORCEMENT FOR GRAB BARS

AT LEAST ONE BATHROOM ON THE ENTRY LEVEL SHALL BE PROVIDED WITH REINFORCEMENT INSTALLED IN ACCORDANCE WITH THIS SECTION. WHERE THERE IS NO BATHROOM ON THE ENTRY LEVEL, AT LEAST ONE BATHROOM ON THE SECOND OR THIRD FLOOR OF THE DWELLING SHALL COMPLY WITH THIS SECTION.

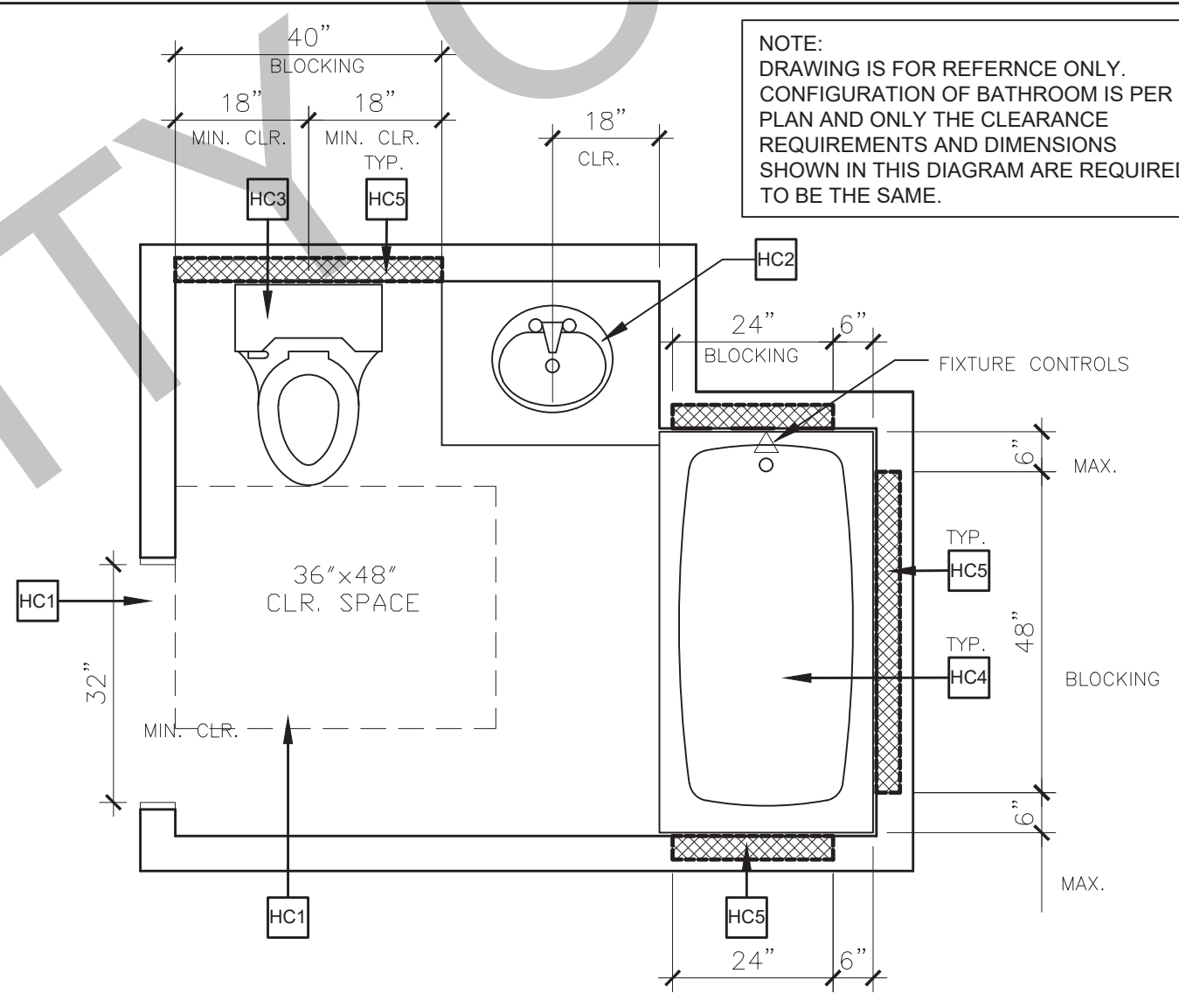
1. REINFORCEMENT SHALL BE SOLID LUMBER OR OTHER CONSTRUCTION MATERIALS APPROVED BY THE ENFORCING AGENCY.
2. REINFORCEMENT SHALL NOT BE LESS THAN 2 BY 8 INCH NOMINAL LUMBER OR OTHER MATERIAL PROVIDING EQUAL HEIGHT AND LOAD CAPACITY. REINFORCEMENT SHALL BE LOCATED BETWEEN 32 INCHES AND 39 1/2 INCHES ABOVE THE FINISHED FLOOR FLUSH WITH THE WALL FRAMING.
3. WATER CLOSET REINFORCEMENT SHALL BE INSTALLED ON BOTH SIDE WALLS OF THE FIXTURE, OR ONE SIDE WALL AND THE BACK WALL.
4. SHOWER REINFORCEMENT SHALL BE CONTINUOUS WHERE WALL FRAMING IS PROVIDED.
5. BATHTUB AND COMBINATION BATHTUB/SHOWER REINFORCEMENT SHALL BE CONTINUOUS ON EACH END OF THE BATHTUB AND THE BACK WALL. ADDITIONALLY, BACK WALL REINFORCEMENT FOR A LOWER GRAB BAR SHALL BE PROVIDED WITH THE BOTTOM EDGE LOCATED NO MORE THAN 6 INCHES ABOVE THE BATHTUB RIM.

- EXCEPTIONS:
1. WHERE THE WATER CLOSET IS NOT PLACED ADJACENT TO A SIDE WALL CAPABLE OF ACCOMMODATING A GRAB BAR, THE BATHROOM SHALL HAVE PROVISIONS FOR INSTALLATION OF FLOOR-MOUNTED, FOLDAWAY OR SIMILAR ALTERNATE GRAB BAR REINFORCEMENTS APPROVED BY THE ENFORCING AGENCY.
  2. REINFORCEMENT SHALL NOT BE REQUIRED IN WALL FRAMING FOR PRE-FABRICATED SHOWER ENCLOSURES AND BATHTUB WALL PANELS WITH INTEGRAL FACTORY-INSTALLED GRAB BARS OR WHEN FACTORY-INSTALLED REINFORCEMENT FOR GRAB BARS IS PROVIDED.
  3. SHOWER ENCLOSURES THAT DO NOT PERMIT INSTALLATION OF REINFORCEMENT AND/OR GRAB BARS SHALL BE PERMITTED, PROVIDED REINFORCEMENT FOR INSTALLATION OF FLOOR-MOUNTED GRAB BARS OR AN ALTERNATE METHOD IS APPROVED BY THE ENFORCING AGENCY.
  4. BATHTUBS WITH NO SURROUNDING WALLS, OR WHERE WALL PANELS DO NOT PERMIT THE INSTALLATION OF REINFORCEMENT SHALL BE PERMITTED, PROVIDED REINFORCEMENT FOR INSTALLATION OF FLOOR-MOUNTED GRAB BARS ADJACENT TO THE BATHTUB OR AN ALTERNATE METHOD IS APPROVED BY THE ENFORCING AGENCY.
  5. REINFORCEMENT OF FLOORS SHALL NOT BE REQUIRED FOR BATHTUBS AND WATER CLOSETS INSTALLED ON CONCRETE SLAB FLOORS.

CRC R327.1.1 - DOCUMENTATION FOR GRAB BAR REINFORCEMENT

INFORMATION AND/OR DRAWINGS IDENTIFYING THE LOCATION OF GRAB BAR REINFORCEMENT SHALL BE PLACED IN THE OPERATION AND MAINTENANCE MANUAL IN ACCORDANCE WITH THE CALIFORNIA GREEN BUILDING STANDARDS CODE, CHAPTER 4, DIVISION 4.4.

AGING IN PLACE BATHROOM EXAMPLE LAYOUT



EXAMPLE ACCESSIBLE BATHROOM (CBC 11A)

SCALE: 1/2"=1'-0"

A

AGING IN PLACE KEYNOTES (CRC 327)

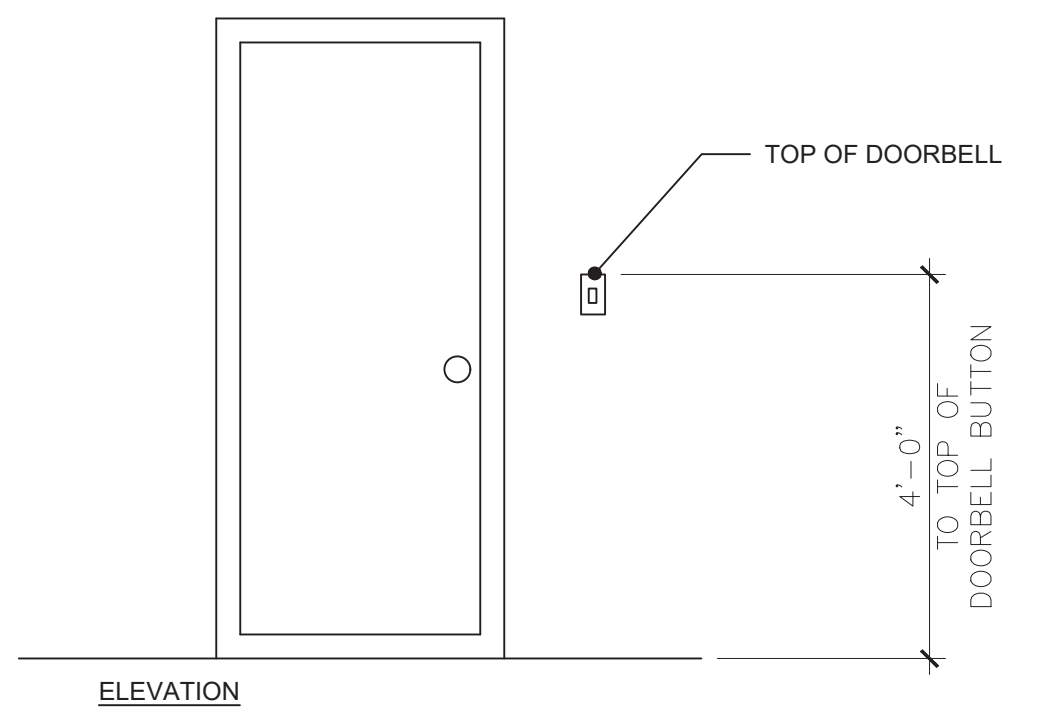
- HC1 AT LEAST ONE BATHROOM AND ONE BEDROOM ON THE ENTRY LEVEL SHALL PROVIDE A DOORWAY WITH A NET CLEAR OPENING OF NOT LESS THAN 32", MEASURED WITH THE DOOR POSITIONED AT AN ANGLE OF 90 DEGREES FROM THE CLOSED POSITION.
- HC2 ACCESSIBLE LAVATORY PER PLAN W/ A REMOVABLE BASE CABINET. FOR LAVATORY ACCESSIBILITY REQUIREMENTS SEE NOTES UNDER THE "RESIDENTIAL UNIT BATHROOM DISABLED ACCESS REQUIREMENT NOTES."
- HC3 ACCESSIBLE WATER CLOSET PER PLAN. FOR WATER CLOSET ACCESSIBILITY REQUIREMENTS SEE NOTES UNDER THE "RESIDENTIAL UNIT BATHROOM DISABLED ACCESS REQUIREMENT NOTES."
- HC4 ACCESSIBLE 60" (MIN.) TUB/SHOWER COMBINATION PER PLAN. FOR TUB/SHOWER ACCESSIBILITY REQUIREMENTS SEE NOTES UNDER THE "RESIDENTIAL UNIT BATHROOM DISABLED ACCESS REQUIREMENT NOTES."
- HC5 REINFORCED 2x8 BLOCKING IN WALL FOR FUTURE GRAB BARS.

ELECTRICAL RECEPTACLE OUTLET, SWITCH AND CONTROL HEIGHTS

CRC R327.1.2

ELECTRICAL RECEPTACLE OUTLETS, SWITCH, AND CONTROLS (INCLUDING CONTROLS FOR HEATING, VENTILATION, AND AIR CONDITIONING) INTENDED TO BE USED BY OCCUPANTS SHALL BE LOCATED NO MORE THAN 48 INCHES MEASURED FROM THE TOP OF THE OUTLET BOX AND NOT LESS THAN 15 INCHES MEASURED FROM THE BOTTOM OF THE OUTLET BOX ABOVE THE FINISH FLOOR

- EXCEPTIONS:
1. DEDICATED RECEPTACLE OUTLETS; FLOOR RECEPTACLE OUTLETS; CONTROLS MOUNTED ON CEILING FANS AND CEILING LIGHTS; AND CONTROLS LOCATED ON APPLIANCES.
  2. RECEPTACLE OUTLETS REQUIRED BY THE CALIFORNIA ELECTRICAL CODE ON A WALL SPACE WHERE THE DISTANCE BETWEEN THE FINISHED FLOOR AND A BUILT-IN FEATURE ABOVE THE FINISH FLOOR, SUCH AS A WINDOW, IS LESS THAN 15 INCHES.



ELEVATION

DOORBELL BUTTONS (R327.1.4)

4

DOORBELL BUTTONS REQUIREMENTS

CRC R327.1.4

DOORBELL BUTTONS OR CONTROLS, WHEN INSTALLED, SHALL NOT EXCEED 48 INCHES ABOVE EXTERIOR FLOOR OR LANDING, MEASURED FROM THE TOP OF THE DOORBELL ASSEMBLY. WHERE DOORBELL BUTTONS INTEGRATED WITH OTHER FEATURES ARE REQUIRED TO BE INSTALLED ABOVE 48 INCHES MEASURED FROM THE EXTERIOR FLOOR OR LANDING, A STANDARD DOORBELL BUTTON OR CONTROL SHALL ALSO BE PROVIDED AT A HEIGHT NOT EXCEEDING 48 INCHES ABOVE EXTERIOR FLOOR OR LANDING, MEASURED FROM THE TOP OF THE DOORBELL BUTTON OR CONTROL.

project  
City of Carlsbad  
Pre-Approved ADU  
Program

- revisions
- △
  - △
  - △
  - △
  - △

description  
Aging-in Place  
Details &  
Specifications

date 05 May 2023

project no. 2022\_Carlsbad\_ADU

drawn by Design Path Studio

sheet no.

FOR USE



## 2. CONCRETE FOUNDATION CONSTRUCTION

200. THE FIELD INSPECTOR SHALL VERIFY FOUNDATION REQUIREMENTS DURING FOUNDATION INSPECTION.
201. CONCRETE STRENGTH SHALL BE NO LESS THAN 2,500 PSI @ 28 DAYS, OR HIGHER STRENGTH IF NOTED ON THE PLANS.
202. SLAB REINFORCEMENT & FOOTINGS SHALL BE PER STRUCTURAL DETAILS ON SHEET S4, CENTERED IN SLAB.
203. REINFORCING BARS TO BE GRADE 40 FOR #3 BARS, GRADE 60 FOR #4 BARS & LARGER
204. PROVIDE WEAKENED PLANE JOINTS FOR CRACK CONTROL (SAWCUT OR TOOLED JOINT) AT 14'-0" O/C MAX.
205. SILL ANCHORAGE AT ALL SHEARWALL LOCATIONS SHALL BE PER THE SHEARWALL SCHEDULE. ALL SHEARWALL ANCHOR BOLTS SHALL RECEIVE A 3" SQUARE X 0.229" THICK WASHER. THE WASHER MAY BE DIAGONALLY SLOTTED (WIDTH >= BOLT DIAMETER + 3/8", LENGTH <= 1 1/2") PROVIDED THAT A STANDARD CUT WASHER IS USED ON TOP OF THE SQUARE WASHER. SHEARWALL ANCHORS SHALL BE PLACED A MIN. OF 1 3/4" FROM THE EDGE OF CONCRETE.
206. EMBEDDED SILL ANCHOR BOLTS AT TYPICAL NON-SHEARWALL CONDITIONS SHALL BE 3/8" DIA. MIN. ANCHOR BOLTS WITH A STANDARD CUT WASHER. SPACING SHALL NOT EXCEED 48 INCHES O/C. LOCATE AN ANCHOR BOLT NOT MORE THAN 9 INCHES, OR LESS THAN 4" FROM ENDS AND SPLICES. EACH SILL SHALL HAVE (2) SILL BOLTS MIN.
207. ANCHOR BOLTS SHALL BE EMBEDDED A MIN. OF 7 INCHES INTO CONCRETE. IN A TWO-POUR SYSTEM, ANCHOR BOLTS TO BE EMBEDDED 5 INCHES MIN. INTO FIRST POUR.
208. SEE WOOD FRAMING CONSTRUCTION NOTES FOR ALTERNATE SILL ANCHORAGE.
209. ALL HOLDOWNS SHALL BE PLACED A MINIMUM DIM AS SHOWN IN DETAIL 384/S4 FROM EXTERIOR CORNER OF SLAB.
210. VERIFY ALL DIMENSIONS WITH ARCHITECTURAL DRAWINGS. SUBCONTRACTOR TO VERIFY ALL DIMENSIONS PRIOR TO CONSTRUCTION. IMMEDIATELY NOTIFY HOMEOWNER AND CITY OF CARLSBAD OF ANY DISCREPANCY, TYPICAL.
211. PROVIDE A UFER GROUND FOR ELECTRICAL SYSTEM PER ARTICLE 250.52 N.E.C.
212. ALL SURROUNDING FLAT WORK SHALL BE VERIFIED WITH HOMEOWNER FOR LOCATION AND AMOUNT TO BE POURED.
213. RETROFIT MISPLACED HOLDOWNS AS NOTED BELOW. AT EPOXY ANCHORS USE SIMPSON SET-XP EPOXY PER MANUFACTURERS INSTALLATION REQUIREMENTS AS FOLLOWS:
- | MISPLACED HOLDOWN    | RETROFIT BOLT                | REPLACEMENT HARDWARE |
|----------------------|------------------------------|----------------------|
| LSTD8, HTT4          | 3/8" ALL-THREAD, EMBED 9"    | HTT4                 |
| STDH10, STDH14, HTT5 | 3/8" ALL-THREAD, EMBED 9"    | HTT5                 |
| LTT20B               | 3/8" ALL-THREAD, EMBED 9"    | LTT20B               |
| LTT20B               | 3/8" ALL-THREAD, EMBED 7"    | LTT20B               |
| HJU8                 | 3/8" ATTACH TO EXISTING A.B. | HJU8                 |
|                      | 3/8" ALL-THREAD, EMBED 15"   |                      |
214. RETROFIT 3/8" & 1/2" EMBEDDED ANCHOR BOLTS AS NOTED BELOW. AT EPOXY ANCHORS USE SIMPSON SET-XP EPOXY PER SIMPSON'S INSTALLATION REQUIREMENTS.
- | LOCATION                 | TYPE                   | REPLACEMENT   |
|--------------------------|------------------------|---|
| SLAB EDGE, 1,3/4" DIST.  | SHEARWALL              | 3/8" ALL-THREAD, EPOXY, EMBED 3"  |
|                          |                        | OR 3/8" TITEN HD, EMBED 3" MIN.   |
| INTERIOR > 6" EDGE DIST. | SHEARWALL OR NON-SHEAR | 3/8" TITEN HD, EMBED 3" MIN.  |
| ANY OTHER                | NON-SHEAR              | 0.145 DIA. SHOT PINS SPACED 4 INCHES APART ON SILL. (2) FOR EACH MISSING ANCHOR BOLT. MAX. OF (6) SHOT PINS EVERY 6 FT. |
215. WHEN REQUESTING A BUILDING DEPARTMENT FOUNDATION INSPECTION, HAVE CONTRACTOR DOCUMENTATION IN WRITING FOR THE FOLLOWING:
- THE PAD WAS PREPARED IN ACCORDANCE WITH THE SITE REQUIREMENTS AND CITY OF CARLSBAD APPROVAL.
  - THE UTILITY TRENCHES HAVE BEEN PROPERLY BACKFILLED & COMPACTED.
  - THE FOUNDATION EXCAVATIONS, EXPANSIVE CHARACTERISTICS AND BEARING CAPACITY COMPLIES WITH THE CITY OF CARLSBAD RECOMMENDATIONS.
216. ALL HOLDOWN ANCHORS & HARDWARE MUST BE TIED IN PLACE PRIOR TO CALLING FOR A FOUNDATION INSPECTION.

## 3. WOOD FRAMING CONSTRUCTION

300. ROOFING MATERIALS SHALL BE PER ARCHITECTURAL DRAWINGS.
301. ROOF SHEATHING SHALL BE 3/8" OR 1/2" C-D GRADE. INTERIOR TYPE PLYWOOD WITH EXTERIOR GLUE OR OSB PANELS. IDENTIFICATION INDEX (240) W/ 8D COMMON NAILS @ 6" O/C @ ALL PERIMETER EDGES AND ALL INTERIOR SUPPORTED EDGES AND @ 12" O/C @ ALL INTERMEDIATE SUPPORTS. SEE DETAILS FOR SHEAR AND DRAG NAILING.
302. TYPICAL WALL SHEATHING:  
INTERIOR SURFACES: WHERE DRYWALL IS SPECIFIED, PROVIDE MIN. 5/8" GYPSUM WALLBOARD W/ SD COOLER NAILS OR EQUAL @ 7" O/C TO ALL STUDS AND TO TOP & BOTTOM PLATES (UNBLOCKED) AT INTERIOR SIDE OF EXTERIOR WALLS AND AT BOTH SIDES OF ALL INTERIOR WALLS.
- EXTERIOR SURFACES: SEE PLANS. WHERE "STUCCO" IS SPECIFIED PROVIDE 1/2" EXTERIOR CEMENT PLASTER OVER WIRE LATH OVER TYPE 15 BUILDING PAPER. LATH ATTACHED TO ALL STUDS AND TOP AND BOTTOM PLATES (OR BLOCKING AS OCCURS) W/ 16 GAGE X 7/16" STAPLES @ 6" O/C OR NO. 11 GAGE X 1-1/2" FURRING NAILS WHERE INDICATED ON ELEVATIONS.
303. STRUCTURAL SHEATHING MAY BE EITHER OSB OR PLYWOOD. ANY NOTES REFERRING TO PLYWOOD ALSO APPLIES TO OSB.
304. TOP PLATES SHALL BE DOUBLE 2X W/ WIDTH EQUAL TO STUDS BELOW, W/ (21)16D NAILS MIN. @ MINIMUM 4'-0" LAP SPLICES. USE SIMPSON RPS OR CS16 STRAP EACH SIDE OR ONE SIDE AND TOP WHERE LAP SPICE IS NOT POSSIBLE. SEE DETAILS FOR NOTCHES, CUT-OUTS AND COMPLETE PLATE BREAKS AT HEATING, VENTING, AND PLUMBING.

## 3. WOOD FRAMING CONSTRUCTION (CONT.)

305. TYPICAL SHEAR TRANSFER:  
ROOF TO WALL: CONNECT ROOF FRAMING TO TOP PLATE W/ SIMPSON H1 @ 24" O/C OR A35 OR RBC @ 24" O/C OR PER SHEAR TRANSFER DETAILS.
- SILL PLATE ANCHORS:
306. GROUND FLOOR / SLAB ON GRADE WALLS: PROVIDE 2X (MIN.) PTDF SILL PLATES. SEE CONCRETE FOUNDATION CONSTRUCTION NOTES 206, 207 & 208 FOR ANCHOR BOLTS. AT INTERIOR NON-SHEAR CONDITIONS, 0.145 SHOT PIN ANCHORS @ 32" O/C MAY BE USED TO CONNECT PARTITIONS AND BEARING WALLS TO SLAB.
307. ALL WOOD SILL PLATES AND ALL WOOD MEMBERS DIRECTLY AGAINST CONCRETE OR MASONRY SHALL BE FOUNDATION GRADE REDWOOD SILLS OR PTDF SILLS, TREATED WITH SODIUM BORATE (SBX/DOT) WHEN INSTALLED IN A DRY OR ENCLOSED ENVIRONMENT. (SODIUM BORATE TREATMENT DOES NOT REQUIRE CORROSION RESISTANT CONNECTORS.) IF OTHER TREATMENTS ARE USED, SEE NOTE 309.
308. FASTENERS IN CONTACT WITH PRESSURE TREATED WOOD:  
ALL NAILS AND FASTENERS IN CONTACT WITH PRESSURE TREATED LUMBER TREATED WITH ACQ-C, ACQ-D, CA-B, AND CBA-A WITHOUT AMMONIA SHALL BE GALVANIZED PER ASTM A153.
- ALL NAILS AND FASTENERS IN CONTACT WITH PRESSURE TREATED LUMBER TREATED WITH ACQ-C, ACQ-D, CA-B, AND CBA-A WITH AMMONIA SHALL BE TYPE 303, 304, 305, OR 316 STAINLESS STEEL.
- WHERE PRESSURE TREATED LUMBER IS INSTALLED IN AN EXTERIOR WET ENVIRONMENT, ALL NAILS AND FASTENERS IN CONTACT WITH THE PRESSURE TREATED LUMBER SHALL BE TYPE 303, 304, 305, OR 316 STAINLESS STEEL.
309. RE-TIGHTEN ALL HOLDOWN ANCHORS JUST PRIOR TO COVERING THE WALL FRAMING.
310. ENGINEERED BEAMS ARE AS FOLLOWS:  
"PSL" REFERS TO PARALLEL STRAND LUMBER (E=2.0, FB=2900),  
"LSL" REFERS TO LAMINATED STRAND LUMBER (E=1.55, FB=2325),  
(E=1.3 & FB=1700 AT LSL CONDITIONS WITH D (DEPTH) < 9')  
"LVL" REFERS TO LAMINATED VENEER LUMBER (E=2.0, FB=2800),  
"GLB" REFERS TO 24F-1.8E GLU-LAM WITH STANDARD CAMBER, U.N.O.  
"JC" ENGINEERED GLU-LAM BEAM MAY BE USED UPON ENGINEER APPROVALS.  
AN A.I.T.C CERTIFICATE OF COMPLIANCE ISSUED BY A CURRENT ICC APPROVED QUALITY CONTROL AGENCY FOR GLUED LAMINATED WOOD MEMBERS SHALL BE GIVEN TO THE BUILDING INSPECTOR PRIOR TO INSTALLATION.
311. LUMBER SPECIFICATIONS:  
ALL FRAMING LUMBER SHALL BE DOUGLAS FIR-LARCH. STUDS, PLATES & BLOCKING:  
2X4 FRAMING LUMBER NOT LISTED BELOW STANDARD GRADE OR BETTER  
2X4 STUDS OVER 10' #2 OR BETTER  
2X4 SILLS & PLATES STANDARD OR BETTER  
2X6 STUDS, SILLS, & PLATES #2 OR BETTER  
4X4 STUDS & POSTS STANDARD OR BETTER OR #1  
4X6, 6X6, & LARGER STUDS & POSTS #1 OR BETTER  
4X4, 4X6, 4X8, 4X10 BEAMS & HEADERS #1 OR BETTER  
4X12, 4X14 BEAMS & HEADERS #1 OR BETTER  
6X4 BEAMS & HEADERS #2 OR BETTER  
6X6 & LARGER BEAM & HEADERS #1 OR BETTER  
2X6 AND LARGER RAFTERS AND JOISTS #2 OR BETTER
312. HOLES, CUTOUTS, AND NOTCHES IN FRAMING MEMBERS:  
BY VIRTUE OF CODE COMPLIANCE WITH ELECTRICAL AND PLUMBING CODES, HOLES AND NOTCHES WILL INEVITABLY BE MADE IN FRAMING MEMBERS. THE CODE RECOGNIZES AND APPROVES VARIOUS HOLES AND NOTCHES WITHOUT ENGINEERING JUSTIFICATION IN CBC SECTION 2308.8.2. ENGINEERED (PSL,LSL) RECTANGULAR LUMBER BEAMS BEHAVE LIKE ANY OTHER RECTANGULAR SHAPE WHEN NOTCHED OR BORED, SO THE ENGINEER OR ARCHITECT MAY SPECIFY LIMITS WITHOUT MANUFACTURER APPROVAL OTHER HOLES AND NOTCHES ARE ALLOWED AS NOTED BELOW:
- PSL AND LVL BEAMS: A HOLE 1 INCH IN DIAMETER CAN BE DRILLED ANYWHERE, AND A 2 INCH DIA. HOLE CAN BE DRILLED IN THE MIDDLE THIRD OF THE SPAN IN THE MIDDLE THIRD OF THE DEPTH OF THE BEAM FOR ANY PSL OR LVL BEAM, EXCEPT CANTILEVERED BEAMS AND BEAMS SUPPORTING CONCENTRATED LOADS. HOLES IN THOSE CONDITIONS REQUIRE APPROVAL IN WRITING FROM THE ENGINEER.
- PSL AND LVL BEAMS: A RAKE CUT (TAPER) AT THE TOP OF THE BEAM AT THE END OF THE SUPPORT IS ALLOWED IF NOTED ON PLANS, TO A MINIMUM OF 4-3/8" AT INSIDE FACE OF SUPPORT. RAKE CUT (TAPER) THAT RESULTS IN A DEPTH AT THE INSIDE FACE OF THE SUPPORT OF 2/3RDS THE BEAM DEPTH IS ALLOWED AT CONDITIONS NOT SPECIFIED. OTHER TAPERED ENDS AND SQUARE NOTCHES IN TOP OR BOTTOM FACE REQUIRE APPROVAL IN WRITING FROM THE ENGINEER OR ARCHITECT.
- STUDS AND PLATES: SEE STRUCTURAL DETAILS 8 & 11 ON SHEET S3 FOR NOTCHING AND BORING.
313. PROVIDE 2X4 TRIMMER & 2X4 KING STUD EACH END OF EACH 4X DROPPED BEAM OR HEADER. PROVIDE DOUBLE TRIMMERS AT EACH 4X10 OR LARGER. PROVIDE DOUBLE TRIMMERS AT EACH 3-1/2 X 7-1/2 PSL OR LSL OR LARGER.
314. PROVIDE 2X6 TRIMMER & 2X6 KING STUD EACH END OF EACH 6X DROPPED BEAM OR HEADER. PROVIDE DOUBLE TRIMMERS AT EACH 6X8 OR LARGER. PROVIDE DOUBLE TRIMMERS AT EACH 5-1/4 X 7-1/2 PSL OR LSL OR LARGER.
315. PROVIDE DOUBLE KING STUDS AT ALL OPENINGS 8'-1" WIDE AND WIDER OR PER PLAN.
316. PROVIDE MINIMUM 2-1/4" BEARING @ EACH END OF EACH FLUSH BEAM OR HEADER WHERE BEARING IS ON TOP PLATE. PROVIDE 2X4 STUD WITHIN 3" OF BEARING POINT. PROVIDE (2) 2X STUDS @ 6X OR LSL OR PSL BEAMS.
317. ROOF RAFTERS SHALL BE 2X RAFTERS AS NOTED ON STRUCTURAL DRAWINGS
318. EAVES SHALL BE PER ARCHITECTURAL PLANS W/ APPLIED TAILS PER ARCHITECTURAL PLANS. OVERHANG DETAILS ARE NOT SHOWN ON STRUCTURAL PLANS.
319. SEE THE ARCHITECTURAL ROOF PLANS FOR ROOF PITCH AND ADDITIONAL INFORMATION.
320. COMBINE AND GROUP PLUMBING VENTS WHENEVER POSSIBLE TO MINIMIZE ROOF PENETRATIONS.

## 3. WOOD FRAMING CONSTRUCTION (CONT.)

321. WOOD TO WOOD CONNECTORS SHALL BE SIMPSON STRONG TIE OR USP STRUCTURAL CONNECTORS. ALL SPECIFIED CONNECTOR CALL-OUTS ARE SIMPSON CATALOG CALL-OUTS. USP SUBSTITUTIONS SHALL HAVE A CAPACITY EQUAL TO OR GREATER THAN THE SIMPSON CATALOG VALUES. ANY OTHER ICC APPROVED METAL CONNECTOR MAY BE USED UPON APPROVAL BY THE ENGINEER OR ARCHITECT.
322. ICC APPROVED CONNECTORS SHALL BE USED WHERE CONNECTORS ARE SPECIFIED. UNLESS OTHERWISE NOTED, THE FOLLOWING BEAM AND JOIST HANGERS SHALL BE USED:
- | BEAM OR JOIST RAFTERS | SIMPSON/USP HANGER |
|-----------------------|--------------------|
| 1.75 X LSL AND LVL    | HU, HUS, OR HU     |
| 2.69 X PSL AND LVL    | HU OR HWU          |
| 3.5 X PSL AND LVL     | HHUS OR HWU        |
| 5.25 X PSL AND LVL    | HHUS OR HWU        |
| 7 X PSL AND LVL       | HHUS OR HWU        |
- AT BEAM HANGER CALLOUTS, IE HGUS OR HU BEAMS, THE CALLOUT IS ABBREVIATED. THE HANGER WIDTH MAY BE OMITTED TO ALLOW FLEXIBILITY IN ORDERING. EXAMPLE: 2.69 PSL THE CALLOUT MAY READ HGUS12. AN HGUS2.7512 OR HGUS412 (WITH FILLERS) ARE APPLICABLE. WHERE HANGERS OFFER (MIN) OR (MAX), NAIL TO APPLY (MAX) LOADS.
323. WHERE SHEARWALL LENGTHS ARE SPECIFIED ON THE PLANS, THE LENGTH SHOWN IS A MINIMUM DIMENSION. THE SHEARWALL MAY BE LENGTHENED FOR CONSTRUCTION PURPOSES, BUT SHALL NOT BE REDUCED UNLESS OTHERWISE NOTED. ALL ENGINEERED WOOD PANEL SHEAR (PLYWOOD OR OSB) SHALL BE BLOCKED.
324. THE FOLLOWING HOLES IN SHEARWALLS ARE ALLOWED:  
A) APPROXIMATELY SQUARE HOLES NOTCHED, PUNCHED, OR CUT THAT ARE LESS THAN 25 SQ. INCHES  
B) APPROXIMATELY SQUARE HOLES CLEAN CUT OR BORED IN SHEARWALLS THAT ARE LESS THAN 64 SQ. INCHES (ONE HOLE PER 4' OF SHEARWALL.)  
C) APPROXIMATELY SQUARE HOLES, LESS THAN 64 SQ. INCHES (ONE HOLE PER 8' OF SHEARWALL) WITH ALL EDGES BLOCKED & EDGE NAILED.  
D) HOLES INDIVIDUALLY APPROVED BY THE ENGINEER OR ARCHITECT OF RECORD.
325. STUDS SHALL BE SPACED @ 16" O/C MAX. UNLESS OTHERWISE SPECIFIED, USE STUD GRADE EXCEPT AT PLATE HEIGHTS HIGHER THAN 10'-0", THEN USE DF#2 OR BETTER
326. ALL FINISHES, WATERPROOFING, DRAINAGE, AND FIRE-RELATED ELEMENTS ARE BY THE ARCHITECT OF RECORD AND ARE REQUIRED EVEN THOUGH THEY MAY NOT BE SHOWN ON THE STRUCTURAL PLANS AND DETAILS.

## 4. ICC-ES AND NER APPROVALS

400. PLYWOOD AND OSB PANELS:  
APA PLYWOOD & OSB-ESR-2586
- FULL REPORTS FOUND AT:  
HTTP://WWW.ICC-ES.ORG
401. JOISTS AND RAFTERS AND BEAMS:  
TRUS-JOIST T/JI JOISTS AND PSL, LSL, & LVL-ICC-ES ESR-1387, 1153,  
BOISE CASCADE BCI JOISTS, VERSA-LAM, & VERSA-STRAND-ICC-ESR-1040, 1336  
LOUISIANA PACIFIC JOISTS & BEAMS-ESR-1305, 2403  
ROSEBURG JOISTS & BEAMS-ESR-1210, 1251  
GLU-LAM BEAMS-ESR-1940  
PACIFIC WOOD TECH - ESR 2909
402. WOOD CONNECTORS:  
SIMPSON CONNECTORS-ICC-ES ESR #S 1161, 1622, 1866, 2105, 2203, 2236, 2320, 2549, 2651, 2552, 2553, 2330, 2554, 2555, 2604, 2605, 2606, 2607, 2608, 2611, 2613, 2614, 2615, 2616, 2677, 2920, 3046  
IAPMO ER-112, 130, 143, 192, 262  
USP LUMBER CONNECTORS-ICC-ES ESR #S 1178, 1280, 1575, 1702, 1781, 1881, 1970, 2104, 2685, 1831, 1465, 2761, 2787, IAPMO ER-200  
QUICK DRIVE WOOD SCREWS-ICC-ES ESR-1472
403. ADHESIVES & ANCHORS:  
SIMPSON EPOXY-TIE HIGH STRENGTH EPOXY (SET-XP)-ICC-ES ESR-1772, 2508.  
SIMPSON WEDGE-ALL (WA) WEDGE ANCHORS-ICC-ES ESR-1771  
SIMPSON TITEN HD-ICC-ESR-1056, 2713  
SIMPSON SHOT PINS ICC-ES ESR-2138  
HILTI X-DN, X-ZF, X-CF SHOT PINS-ICC-ES ER-1663, 1752, 2269

## 5. NAILING & FASTENING

500. 16D NAILS AS SHOWN ON THE DETAILS MAY BE COMMON, BOX, OR SINKER NAILS (0.135" MIN. DIA)
501. AS AN ALTERNATE TO THE COMMON AND BOX NAILS SPECIFIED IN THE STRUCTURAL PLANS, THE FOLLOWING "CUTLER" GUN NAILS (OR EQUAL) ARE ACCEPTABLE ALTERNATIVES.
502. ALTERNATE NAILING FOR ROOF SHEATHING:  
8D 2 1/2" X 0.135 WIRE BARBED NAILS BY CUTLER OR EQUAL.
503. ALTERNATE NAILING FOR FLOOR SHEATHING: #8 X 2" SELF SETTING WOOD SCREWS, OR 8D 2 1/2" X 0.135 OR 0.148 SCREW SHANK FLOOR NAILS BY CUTLER OR EQUAL
504. SHEAR PANELS WHERE 8D COMMON NAILS ARE SPECIFIED:  
10D 2 1/2" X 0.148" WIRE BARBED NAILS BY CUTLER OR EQUAL

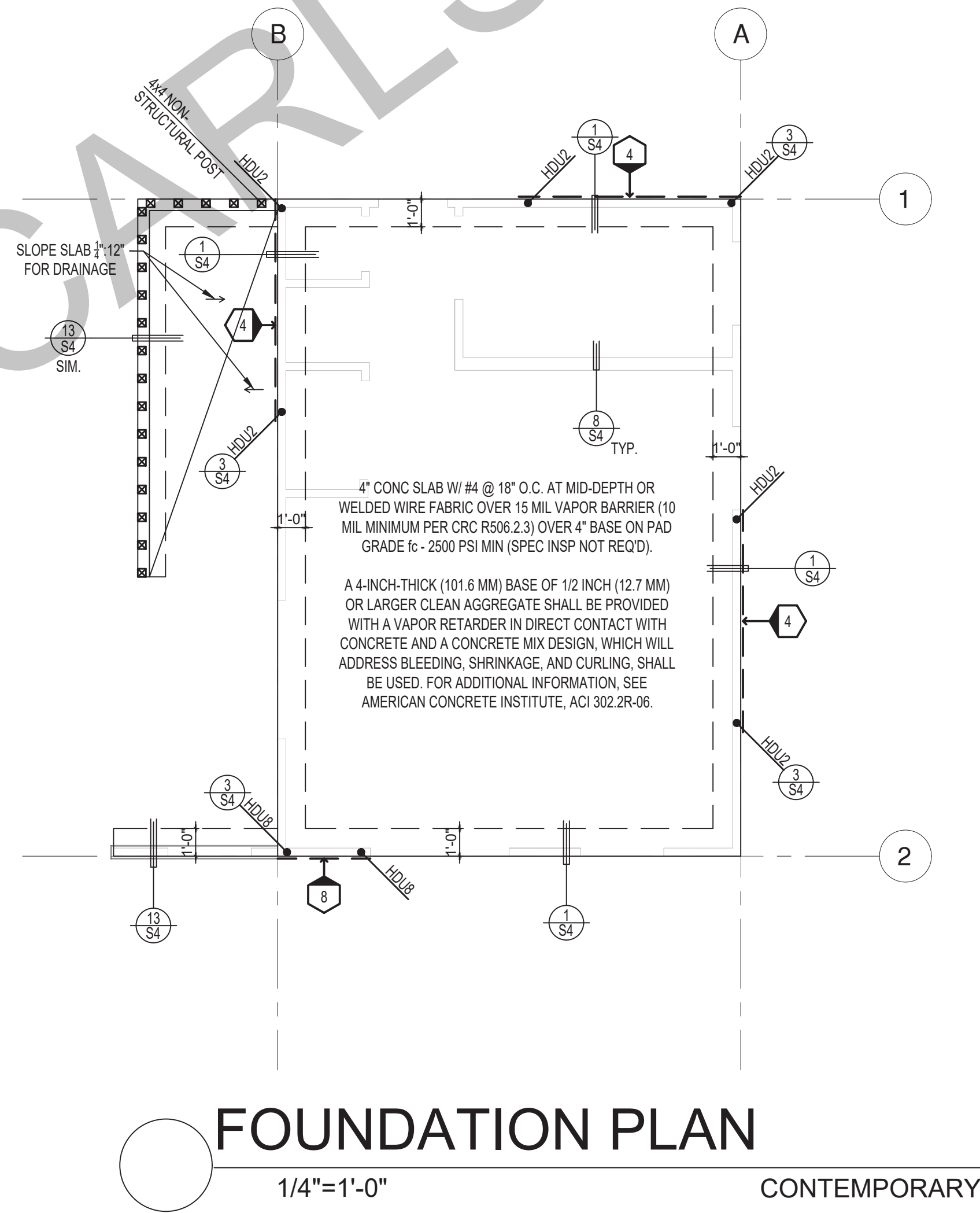
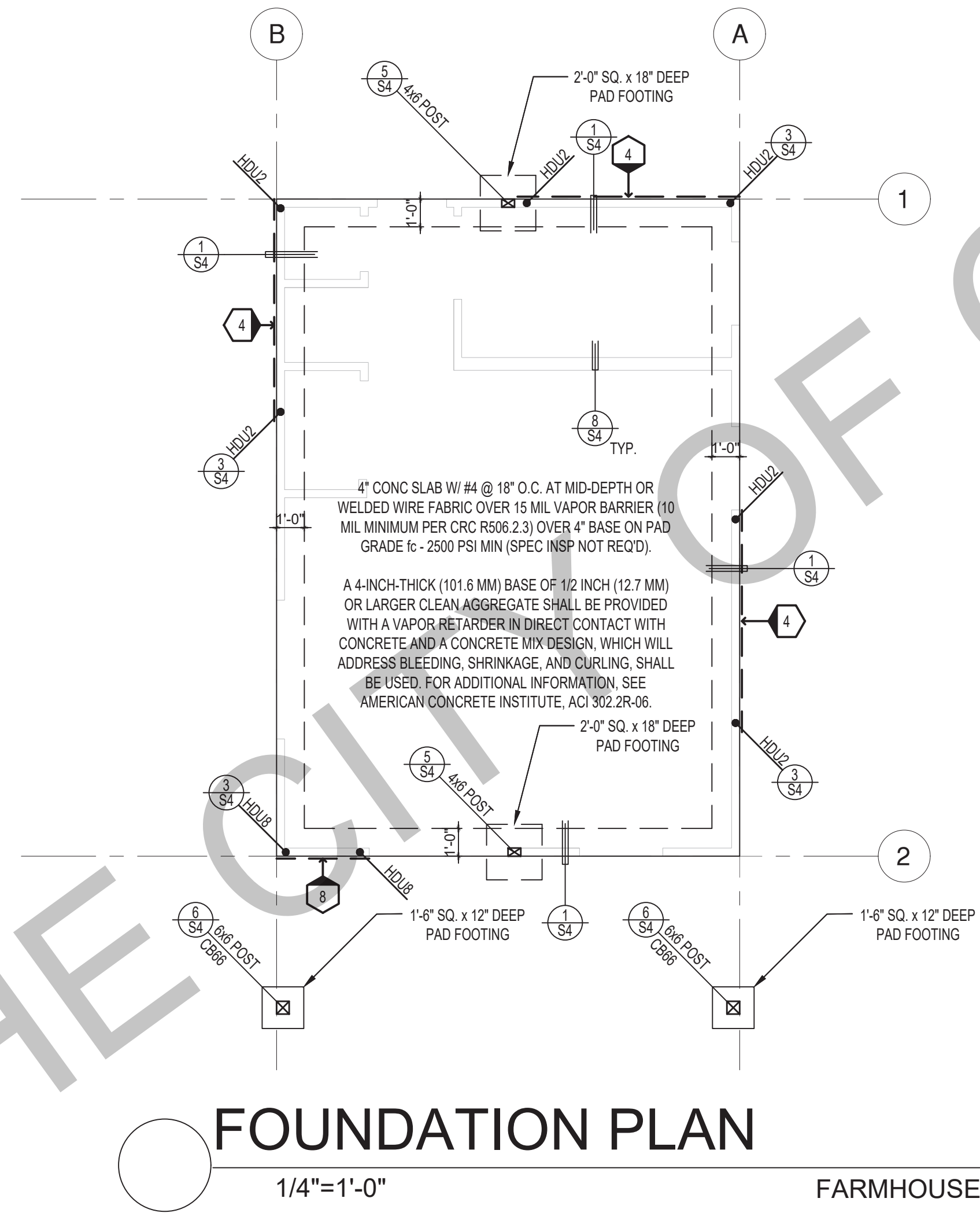
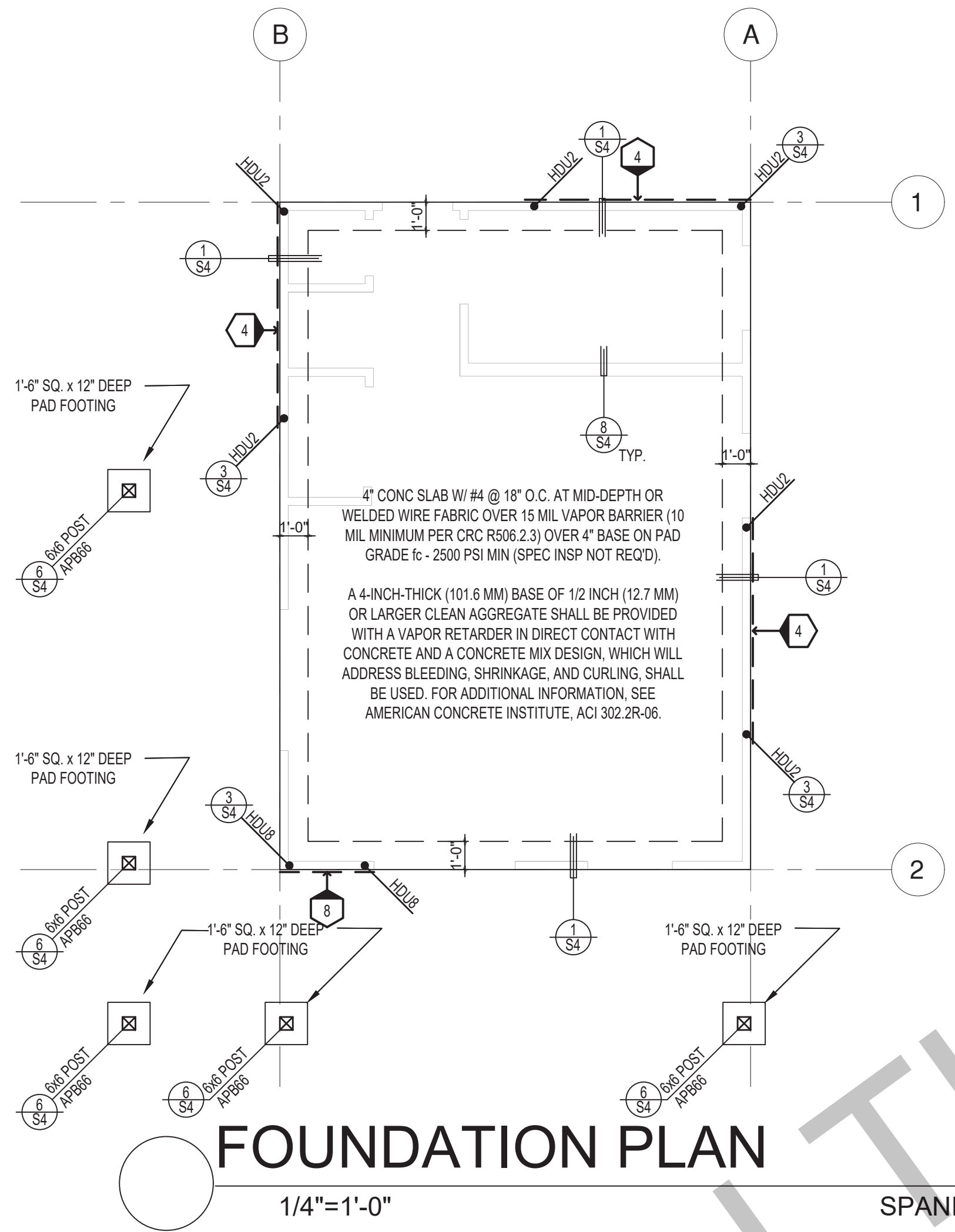
NAIL SIZES				
SIZE OF NAIL	STANDARD LENGTH	WIRE GAUGE	SIZE (INCHES)	PENETRATION REQUIRED
<b>BOX NAILS</b>				
6D	2"	12□	0.099	1"
8D	2 1/2"	11 □	0.113	1"
10D	3"	10□	0.128	1 □"
12D	3"	10□	0.128	1 □"
16D	3 1/2"	10	0.135	1 □"
16D SINKER	3"	9	0.148	1 □"
<b>COMMON NAILS</b>				
6D	2"	11 □	0.113	1"
8D	2 1/2"	10	0.131	1 □"
10D	3"	9	0.148	1 1/2"
12D	3"	9	0.148	1 1/2"
16D	3 1/2"	8	0.162	1 1/2"

## 6. NAILING SCHEDULE, MINIMUMS (CBC CHAPTER 23, TABLE 2304.10.2)

- BLKG AT CEILING JOISTS, RAFTERS, OR TRUSSES TO TOP PLATE OR OTHER FRAMING, T.N. 4-8d Box, 3-8d Com, 3-10d box, 3-3" x 0.131" nails, 3-3" 14 gage staples
- BLKG AT CEILING RAFTERS OR TRUSSES NOT AT WALL TOP PLATE TO RAFTER OR TRUSS, T.N. 2-8d Com, 2-3" x 0.131" nails, 2-3" 14 gage staples
- BLKG AT CEILING RAFTERS OR TRUSSES NOT AT WALL TOP PLATE TO RAFTER OR TRUSS, E.N. 2-16d Com, 3-3" x 0.131" nails, 3-3" 14 gage staples
- FLAT BLKG TO TRUSS AND WBE, F.N. 16d Com, 3"x.131" nails, 3"x14 gage staples @ 6" o.c
- CEILING JOISTS TO TOP PLATE, T.N. 4-8d box, 3-8d Com, 3-10d box, 3-3"x.131 nails, 3-3" 14 gage staples
- CEILING JOISTS NOT ATTACHED TO PARALLEL RAFTER, LAPS OVER PARTITIONS, F.N. PER 2308.7.3.1 3-16d Com, 4-10d box, 4-3" x 0.131" nails, 4-3" 14 gage staples
- CEILING JOISTS ATTACHED TO PARALLEL RAFTER (HEEL JOINT), F.N. PER 2308.7.3.1 3-16d Com, 4-10d box, 4-3" x 0.131" nails, 4-3" 14 gage staples
- COLLAR TIE TO RAFTER, F.N. 3-10d Com, 4-10d box, 4-3" x 0.131" nails, 4-3" 14 gage staples
- RAFTER/TRUSS TO TOP PLATE, T.N. PER TABLE 2308.7.3.5 3-10d Com, 3-16d or 4-10d box, 4-3" x 0.131" nails, 4-3" 14 gage staples
- RAFTERS TO RIDGE VALLEY OR HIP; OR FATER TO 2" RIDGE BEAM
- TOENAIL ENDNAIL 4-16d box, 3-10d Com, 3-16d or 4-10d box, 4-3" x 0.131" nails, 4-3" 14 gage staples
- STUD TO STUD (NOT AT BRACED WALL PANELS) 16d Com @ 24" o.c. FN OR 2-10d box, 3" x 0.131" nails, 3-3" 14 gage staples @ 16" o.c. FN
- STUD TO STUD AT INTERSECTING WALL CORNERS (BRACED WALL) 16d Com @ 16" o.c. FN OR 16d Box, 3" x 0.131" nails, 3-3" 14 gage staples @ 12" o.c. FN
- BUILT-UP HEADER (2" TO 2"), FN EA. EDGE 16d Com @ 16" o.c OR 16d Box @ 12" o.c.
- CONT. HEADER TO STUD, T.N. 4-8d Com, 4-10d Box, 5-8d box
- TOP PLATE TO TOP PLATE 16d Com @ 16" o.c. FN OR 10d Box, 3" x 0.131" nails, 3" 14 gage staples @ 12 o.c. FN
- TOP PLATE TO TOP PLATE, AT END JOINTS (EACH SIDE OF END JOINT), FACENAIL 8-16d Com, 12-16d Box, 12-10d Box, 12-3" x 0.131" nails, 12-3" 14 gage staples
- 24" MIN LAP SPLICE EA. SIDE
- BOTTOM PLATE TO JOIST, RIM, OR BLKG, FACENAIL 16d Com
- UNBRACED WALL: 16" o.c. FN 16d Box, 3" x 0.131" nails, 3" 14 gage staples
- UNBRACED WALL: 12" o.c. FN 2-16d Com, 3-16d Box, 4-3"x.131" nails, 4-3" 14 gage staples
- BRACED WALL: 16" o.c. FN 4-8d Box, 4x10d Box, 4-8d Com, 3-16d Box, 4-3"x0.131" nails, 4-3" 14 gage staples
- STUD TO TOP OR BOTTOM PLATE TOENAIL ENDNAIL 4-8d Box, 4x10d Box, 4-8d Com, 3-16d Box, 4-3"x0.131" nails, 4-3" 14 gage staples
- TOP PLATES, LAPS AT CORNERS AND INTERSECTION, F.N. 3-16d Box, 2-16d Com, 3-10d Box, 3-3"x0.131" nails, 3-3" 14 gage staples
- 1" BRACE TO EACH STUD AND PLATE, F.N. 2-16d Com, 3-10d box, 3-3" x 0.131" nails, 3-3" 14 gage staples
- 1"x6" SHEATHING TO EACH BEARING, F.N. 3-8d Box, 2-8d Com, 2-10d Box, 2-3" x 0.131" nails, 2-3" 14 gage staples
- 1"x8" SHEATHING AND WIDER TO EACH BEARING, F.N. 3-8d Box, 2-1.75" 16 Gage staples, 2-8d Com, 2-10d Box
- JOIST TO SILL, TOP PLATE, OR GIRDER, T.N. 4-8d box, 4-1.75" 16 Gage staples, 2-8d Com, 3-10d Box
- RIM JOIST, BAND JOIST, OR BLOCKING TO TOP PLATE, SILL OR OTHER 4-8d box, 3-8d Com, 3-10d Box, 3-3" x 0.131" nails, 3-3" 14 gage staples
- 1"x6" SUBFLOOR OR LESS TO EACH JOIST, F.N. 8d Box @ 4' o.c. TN OR 8d Com, 10d Box, 3" x 0.131" nails, 3" 14 gage staples @ 6" o.c. TN
- 2" SUBFLOOR TO JOIST OR GIRDER, F.N. OR BLIND 2-1.75" Gage Staples, 2-8d Com, 3-10d Box
- 2" PLANKS (PLANK & BEAM - FLOOR & ROOF), FACENAIL & EACH BEARING 3-16d Box, 2-16d Com
- BUILT-UP GIRDERS AND BEAMS, 2" LUMBER LAYERS 20d Com
- 32" o.c. FN TOP & BTM STAGGERED ON OPPOSITE SIDES 10d Box, 3"x0.131" nails, 3" 14 gage staples
- 24" o.c. FN TOP & BTM ENDS & SPLICES, FN 2-20d Com, 3-10d Box, 3-3"x0.131" nails, 3-3" 14 gage staples
- LEDGER SUPPORTING JOISTS/RAFTERS 4-16d Box, 3-16d Com, 4-10d Box, 4-3"x0.131, 4-3" 14ga. STAPLES
- JOIST TO BAND OR RIM JOIST, END NAIL 3-16d Com, 4-10d Box, 4-3"x0.131, 4-3" 14ga. STAPLES
- BRIDGING OR BLOCKING TO JOIST, RAFTER OR TRUSS EACH END, T.N. 2-8d Com, 2-10d box, 2-3" x 0.131" nails, 2-3" 14 gage staples
- | WALL STRUCT. PANELS, SUBFLOOR, ROOF AND INTERIOR WALL SHING TO FRMG AND PARTICLEBOARD WALL SHEATHING TO FRAMING | EDGES (IN)   | INTERMEDIATE SUPPORTS (IN) |    |
|---|--|----------------------------|----|
| 16d Com or deformed; or 2 1/2"x.113" nail (subfloor and wall)   | 6  | 12                         |    |
| 8d Com or deformed (roof) or 2 1/2"x.113" nail (roof)   | 6  | 6                          |    |
| 1 1/2" 16 Ga Staple, 3/16" crown (subfloor and wall)  | 4  | 8                          |    |
| 2 1/2" x.113"x.266" head nail (roof)  | 3  | 3                          |    |
| 1 1/2" 16 Ga Staple, 7/16" crown (roof)   | 3  | 3                          |    |
| 8d Com or deformed (subfloor and wall)  | 6  | 12                         |    |
| 8d Com or deformed (roof) or 2 1/2"x.113" nail (roof)   | 6  | 6                          |    |
| 2 1/2" x.113"x.266" head nail, 2" 16 Gage staple, 7/16" crown   | 4  | 8                          |    |
| 10d Com or (3"x0.148"); or deformed (2 1/2" x.131"x.281 head)   | 6  | 12                         |    |
| OTHER EXTERIOR WALL SHEATHING (FIBERBOARD)  |  |                            |    |
| 1/2"-b  | 1 1/2" x0.120", galvanized roofing nail (7/16" head dia) or 1 1/2" 16 Ga Staple w/ 7/16" or 1" crown | 3                          | 6  |
| 3/8"-b  | 1 1/2" x0.120", galvanized roofing nail (7/16" head dia) or 1 1/2" 16 Ga Staple w/ 7/16" or 1" crown | 3                          | 6  |
| WOOD STRUCTURAL PANELS, COMBINATION SUBFLOOR UNDERLAYMENT TO FRAMING  |  |                            |    |
| 3/8" & LESS   | 8d COMMON (2 1/2"x0.131"); or deformed (2"x0.113"); or deformed (2"x0.120")                          | 6                          | 12 |
| 7/8"-1"   | 8d COMMON (2 1/2"x0.131"); or deformed (2"x0.113"); or deformed (2"x0.120")                          | 6                          | 12 |
| 1 1/8"-1 1/4"   | 10d COMMON (3"x0.148"); or deformed (2 1/2"x0.131"); or deformed (2 1/2"x0.120")                     | 6                          | 12 |
| PANEL SIDING TO FRAMING   |  |                            |    |
| 1/2" & LESS   | 6d corrosion-resistant siding (1 1/2"x.106"); or 6d corrosion-resistant (2"x.099")                   | 6                          | 12 |
| 3/4"  | 8d corrosion-resistant siding (2 1/2"x0.128"); or 8d corrosion-resistant casing (2 1/2"x0.113")      | 6                          | 12 |
| INTERIOR PANELING   |  |                            |    |
| 3/4"  | 4d casing (1 1/2"x0.080"); or 4d finish (1 1/2"x0.072")  | 6                          | 12 |
| 7/8"  | 6d casing (2"x0.099"); or 6d finish (2"x.092) - (Panel supports at 24 inches)                        | 6                          | 12 |

- 20d Com 10d Box, 3"x0.131" nails, 3" 14 gage staples
- 2-20d Com, 3-10d Box, 3-3"x0.131" nails, 3-3" 14 gage staples
- 4-16d Box, 3-16d Com, 4-10d Box, 4-3"x0.131, 4-3" 14ga. STAPLES
- 3-16d Com, 4-10d Box, 4-3"x0.131, 4-3" 14ga. STAPLES
- 2-8d Com, 2-10d box, 2-3" x 0.131" nails, 2-3" 14 gage staples
- FOOTNOTES:
- Nails spaced at 6 inches at intermediate supports where spans are 48 inches or more. For nailing of wood structural panel and particleboard diaphragms and shear walls, refer to Section 2305. Nails for wall sheathing are permitted to be common, box or casing.
  - Spacing shall be 6 inches on center on the edges and 12 inches on center at intermediate supports for nonstructural applications. Panel supports at 16 inches (20 inches if strength axis in the long direction of the panel, unless otherwise marked).
  - Where a rafter is fastened to an adjacent parallel ceiling joist in accordance with this schedule and the ceiling joist is fastened to the top plate in accordance with this schedule, the number of toenails in the rafter shall be permitted to be reduced by one nail.
  - RSRS-01 is a Roof Sheathing Ring Shank nail meeting the specifications in ASTM F1667.
  - Tabulated fastener requirements apply where the ultimate design wind speed is less than 140 mph. For wood structural panel roof sheathing attached to gable-end roof framing and to intermediate supports within 48 inches of roof edges and ridges, nails shall be spaced at 4 inches on center where the ultimate design wind speed is greater than 130 mph in Exposure B or greater than 110 mph in Exposure C. Spacing exceeding 6 inches on center at intermediate supports shall be permitted where the fastening is designed per the AWCDNS.
  - Fastening is only permitted where the ultimate design wind speed is less than or equal to 110 mph.
  - Nails and staples are carbon steel meeting the specifications of ASTM F1667. Connections using nails and staples of other materials, such as stainless steel, shall be designed by acceptable engineering practice or approved under Section 104.11.
7. DESIGN CRITERIA
700. BUILDING CODE: 2022 CALIFORNIA BUILDING CODE AND 2022 CALIFORNIA RESIDENTIAL CODE.
701. SEISMIC DESIGN CRITERIA:  
SOIL BEARING VALUE 1,500 psf  
SITE CLASS D (Default)  
SEISMIC DESIGN CATEGORY II  
RISK CATEGORY I  
SEISMIC IMPORTANCE FACTOR 1  
Ss 1.152  
S1 0.412
- BASIC SEISMIC FORCE RESISTING SYSTEM: BEARING WALL ANALYSIS METHOD: EQUIVALENT LATERAL FORCE PROCEDURE. SEE STRUCTURAL CALCULATIONS FOR SD1, SDS, DESIGN BASE SHEAR, Cs, & R FACTORS.
702. WIND DESIGN CRITERIA:  
WIND SPEED (V-hat) 124 mph  
RISK CATEGORY II  
EXPOSURE C  
INTERNAL PRESSURE COEF 0.18  
EXTERIOR CLADDING (0.6W) 13 psf
703. DESIGN LOADING:  
VAULTED ROOF DL 27 psf  
ROOF W/ CEILING DL 23 psf | ROOF LL 20 psf  
PORCH DL 33 psf | PORCH LL 20 psf  
TRELLIS DL 6 psf | TRELLIS LL 10 psf
8. STATEMENT OF SPECIAL INSPECTIONS
800. RETROFIT ANCHOR BOLTS FOR MISPLACED HOLDOWNS WITH ALL-THREAD ROD AND SIMPSON SET-XP EPOXY REQUIRE SPECIAL INSPECTION. (NO SPECIAL INSPECTION IS REQUIRED FOR





SHEAR WALL SCHEDULE (ASD VALUES)

	4	5	6	7	8	9
SHEARWALL DESCRIPTION (See footnotes 1 & 4)	3/8" ply. C-D or C-C sheathing, (1) side w/ 8d @ 6" o/c edge, 12" o/c field, blocked (See footnote 3)	3/8" ply. C-D or C-C sheathing, (1) side w/ 8d @ 4 1/2" o/c edge, 12" o/c field, blocked (See footnote 3)	3/8" ply. C-D or C-C sheathing, (1) side w/ 8d @ 3" o/c edge, 12" o/c field 3x abutting panel studs blocked (See footnote 3 & 4)	3/8" rated STRUCT 1 panel, (1) side w/ 8d @ 3" o/c edge, 12" o/c field 3x abutting panel studs blocked (See footnote 3 & 4)	1/2" rated STRUCT 1 panel, (1) side w/ 10d @ 3" o/c edge, 12" o/c field 3x abutting panel studs blocked (See footnote 3, 4, & 5)	1/2" rated STRUCT 1 panel, (1) side w/ 10d @ 2" o/c edge, 12" o/c field 3x abutting panel studs blocked (See footnote 3, 4, & 5)
SHEAR VALUE (PLF)	260*	350*	490*	550*	665*	870*
ANCHOR BOLT SPACING	3/4" @ 48" or 1/2" @ 32"	3/8" @ 32" or 1/2" @ 24"	3/8" @ 24" or 1/2" @ 16"	3/8" @ 24" or 1/2" @ 16"	3/8" @ 16" or 1/2" @ 24"	3/8" @ 12" or 1/2" @ 8"
16d (0.148") SILL NAILING	6"	4 1/2"	3 1/2"	3"	1/2" x 4 1/2" SDS screws @ 8"	1/2" x 4 1/2" SDS screws @ 8"
SPACING OF A35LTP4 FRAMING TO TOP PLATE	32" O.C.	18" O.C.	12" O.C.	12" O.C.	8" O.C.	8" O.C.

SHEAR WALL FOOTNOTES

- AT PLYWOOD OR OSB PS-1 OR PS-2 RATED PANELS USE COMMON NAILS OR GALVANIZED BOX NAILS (2) LAYERS OF PAPER EXTERIOR PLYWOOD REQUIRED. SHEARWALL SHALL BE APPLIED OVER STUDS @ 16" O/C. GALVANIZED NAILS SHALL NOT BE HOT-DIPPED OR TUMBLED.
- SILL PLATES & WASHERS SHALL COMPLY WITH THE CONCRETE FOUNDATION CONSTRUCTION AND WOOD FRAMING CONSTRUCTION NOTES. (SEE NOTES #206, 208, 209, 307, 308, 309, ETC.)
- IN PLYWOOD SHEARWALLS, THE EDGE OF THE 3" SQUARE WASHERS (SEE NOTE #206) SHALL BE 1/2" OR LESS FROM THE EDGE OF THE SILL PLATE ON THE SIDE OF THE SHEATHING. ALL NAILING SHALL BE 3/8" MIN. FROM THE EDGE OF SHEATHING.
- WHERE ALLOWABLE SHEAR VALUES EXCEED 350 PLF (SHEARWALL TYPES 6, 7, 8, & 9) ALL FRAMING RECEIVING NAILING FROM ABUTTING PANEL EDGES SHALL NOT BE LESS THAN A SINGLE 3" NOMINAL MEMBER OR (2) 2X MEMBERS NAILED WITH 10D, SPACING EQUAL TO THE E.N. SPACING. PLYWOOD JOINT AND SILL NAILING SHALL BE STAGGERED.
- IN SHEARWALL TYPES 8 & 9, SILL PLATE NAILING SHALL BE STAGGERED. AT SECOND FLOOR CONDITIONS, PROVIDE ADEQUATE RIM OR BLOCKING TO PREVENT SPLITTING.
- ALLOWABLE SHEAR VALUES FOR PLYWOOD SHEARWALLS MAY BE INCREASED BY 40% UNDER WIND LOADING.

**FOUNDATION NOTES**

- ALL ANCHOR BOLTS, HOLDOWN ANCHORS, & REINF. MUST BE SECURELY TIED IN PLACE PRIOR TO FDTN. INSP.
- ALL EXTERIOR STUDS TO BE 2x4 @ 16" O.C.
- THE MINIMUM NOMINAL ANCHORBOLT DIAMETER SHALL BE 1/2 INCH NOTE: THIS WILL REQUIRE A MINIMUM DISTANCE FROM THE ENDS OF SILL PLATES TO BE 4" (AND A MAXIMUM OF 12")
- PLATE WASHERS (MINIMUM SIZE OF 3" x 3" x 1/4") SHALL BE USED ON EACH ANCHOR BOLT.
- PROVIDE CONC SLAB JOINTS AT NO MORE THAN 15 FT EA. WAY
- SEE SHT S4 FOR TYP. CONCRETE & SLAB DETAILS 1-8
- POSTS W/O SPECIFIED BASE SHALL BE NAILED TO BOLTED SILL PLATES W/ (2) 16d T.N. EA. SIDE, TYP.
- FOOTINGS ADJACENT TO SLOPES GREATER THAN OR EQUAL TO 33.3% SHALL COMPLY WITH SETBACK REQUIREMENTS DEFINED IN CBC 1808.7.

**LEGEND**

- X" SHEARWALL & A.B. SPACING PER SCHEDULE
- BOLT TYPE HOLDOWN
- BEARING OR EXTENT OF RAFTERS
- HANGER TO BEAM/LEDGER
- BEARING OR EXTENT OF JOISTS

\* PLEASE REFER TO NOTES 311 & 401 ON S1 FOR LUMBER GRADE SPECIFICATIONS.

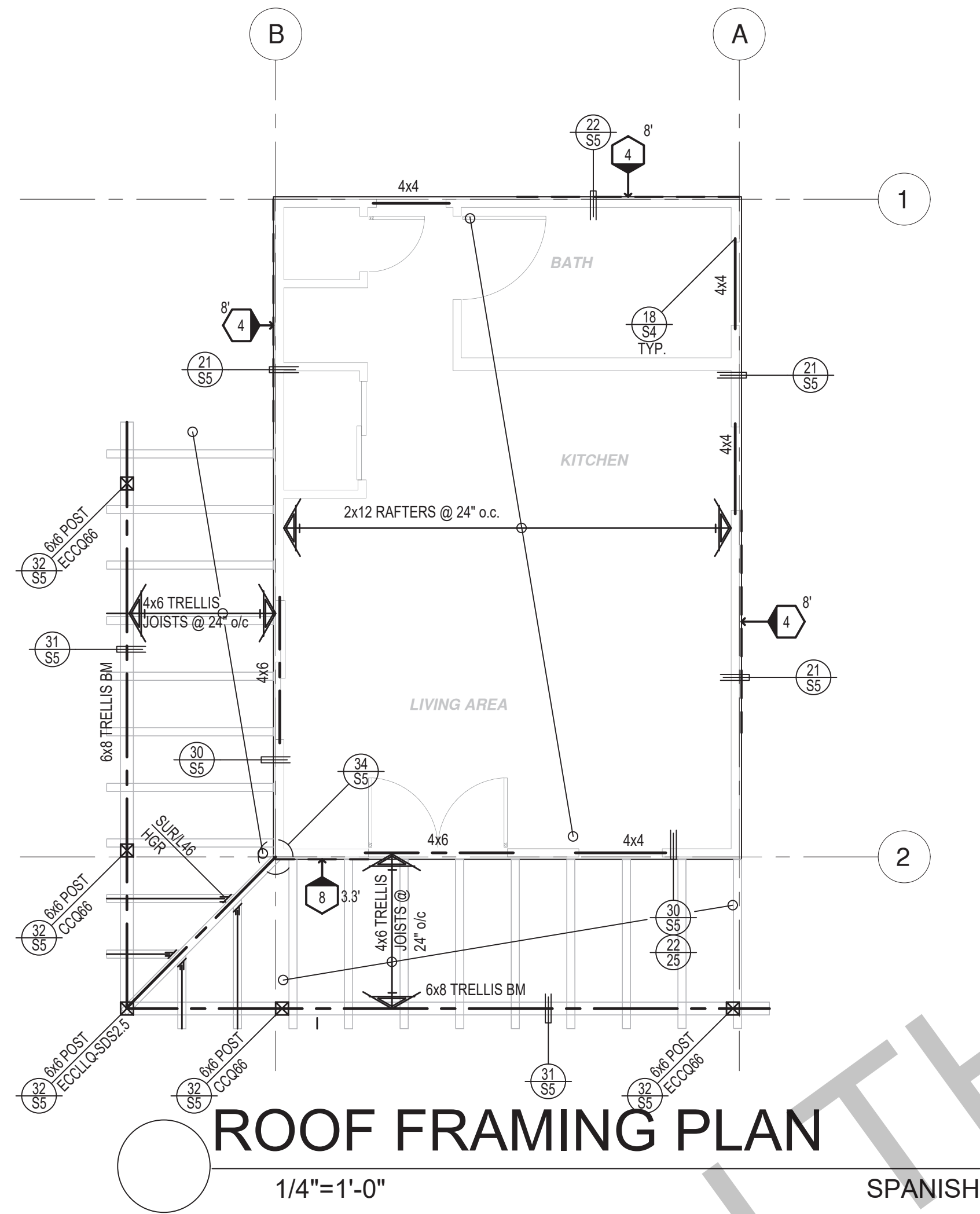
BY USING THESE PERMIT READY CONSTRUCTION DOCUMENTS, THE RECIPIENT ACKNOWLEDGES, ACCEPTS AND VOLUNTARILY AFFIRMS THE FOLLOWING CONDITIONS:  
 1. THE USE OF THIS INFORMATION IS RESTRICTED TO THE ORIGINAL PROJECT FOR WHICH IT WAS PREPARED FOR THE PERMIT READY ACCESSORY DWELLING UNIT (ADU) PROGRAM FOR THE CITY OF CARLSBAD ONLY. THIS IS A LIMITED SET OF STANDARDIZED ADU PLANS AND SPECIFICATIONS APPROVED BY THE CITY OF CARLSBAD BUILDING DEPARTMENT. BUILDING CODES DO CHANGE OVER TIME AND RECIPIENT SHALL ENSURE FULL COMPLIANCE UNDER ALL CODES THEN IN EFFECT AT THE TIME OF THE SUBJECT PERMIT. THIS DOES NOT ELIMINATE OR REDUCE THE RECIPIENT'S RESPONSIBILITY TO VERIFY ANY AND ALL INFORMATION RELEVANT TO THE RECIPIENT'S WORK AND RESPONSIBILITY ON THIS PROJECT. DESIGN PATH STUDIO SHALL NOT BE RESPONSIBLE FOR TRANSLATION ERRORS. DO NOT USE THESE CONSTRUCTION DOCUMENTS IF THE PERMIT HAS EXPIRED OR IS REVOKED AT ALL.  
 2. THE RECIPIENT RECOGNIZES AND ACKNOWLEDGES THAT THE USE OF THIS INFORMATION WILL BE AT THEIR SOLE RISK AND WITHOUT ANY LIABILITY OR LEGAL EXPOSURE TO DESIGN PATH STUDIO. NO WARRANTIES OF ANY NATURE, WHETHER EXPRESS OR IMPLIED, SHALL ATTACH TO THESE DOCUMENTS AND THE INFORMATION CONTAINED THEREIN. ANY USE, REUSE, OR ALTERATION OF THESE DOCUMENTS BY THE RECIPIENT OR BY OTHERS WILL BE AT THE RECIPIENT'S RISK AND FULL LEGAL RESPONSIBILITY. FURTHERMORE, THE RECIPIENT WILL, TO THE FULLEST EXTENT PERMITTED BY LAW, DEFEND, INDEMNIFY AND HOLD DESIGN PATH STUDIO AND ITS ARCHITECTS HARMLESS FROM ANY AND ALL CLAIMS, SUITS, LIABILITY, DEMANDS, JUDGMENTS, OR COSTS ARISING OUT OF OR RESULTING THERE FROM ANY USE OF THESE CONSTRUCTION DOCUMENTS FOR OR ON ACCOUNT OF ANY INJURY, DEATH, DAMAGE OR LOSS TO PERSONS OR PROPERTY, DIRECT OR CONSEQUENTIAL DAMAGES IN ANY AMOUNT. THIS INDEMNITY DOES NOT APPLY TO THE SOLE NEGLIGENCE OR WILLFUL MISCONDUCT OF DESIGN PATH STUDIO OR ITS ARCHITECTS.  
 3. THE DESIGNS REPRESENTED BY THESE PLANS ARE COPYRIGHTED AND ARE SUBJECT TO COPYRIGHT PROTECTION.  
 4. IF THE RECIPIENT DOES NOT AGREE WITH THE ABOVE CONDITIONS, DO NOT PROCEED WITH CONSTRUCTION OF AN ADU OR OTHER IMPROVEMENT UNDER THESE PLANS AT ALL.

project  
City of Carlsbad  
Pre-Approved ADU  
Program

revisions  
description  
Studio  
Foundation  
Plans

date 05 May 2023  
project no. 2022\_Carlsbad\_ADU  
drawn by Design Path Studio  
sheet no.

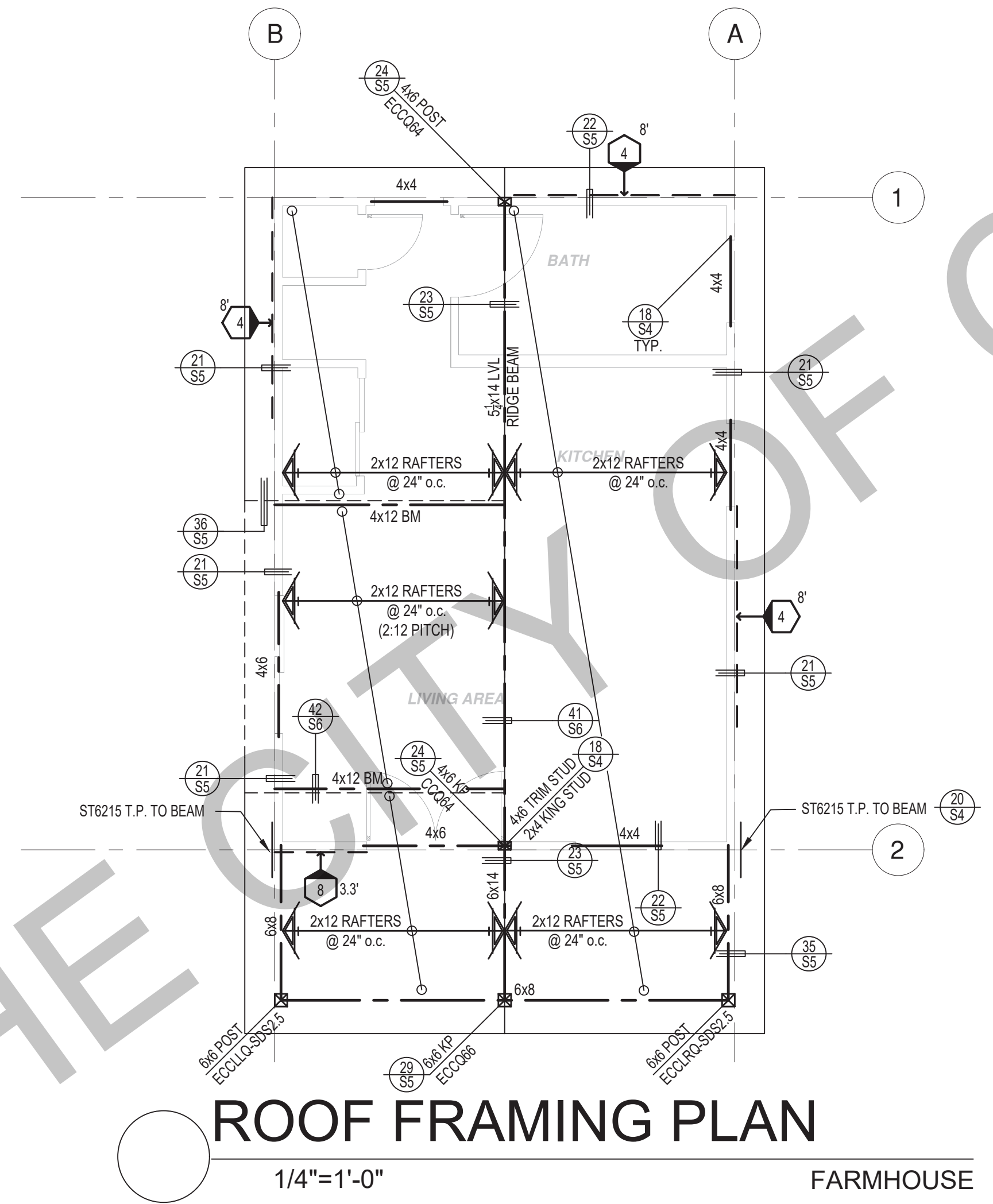




ROOF FRAMING PLAN

1/4"=1'-0"

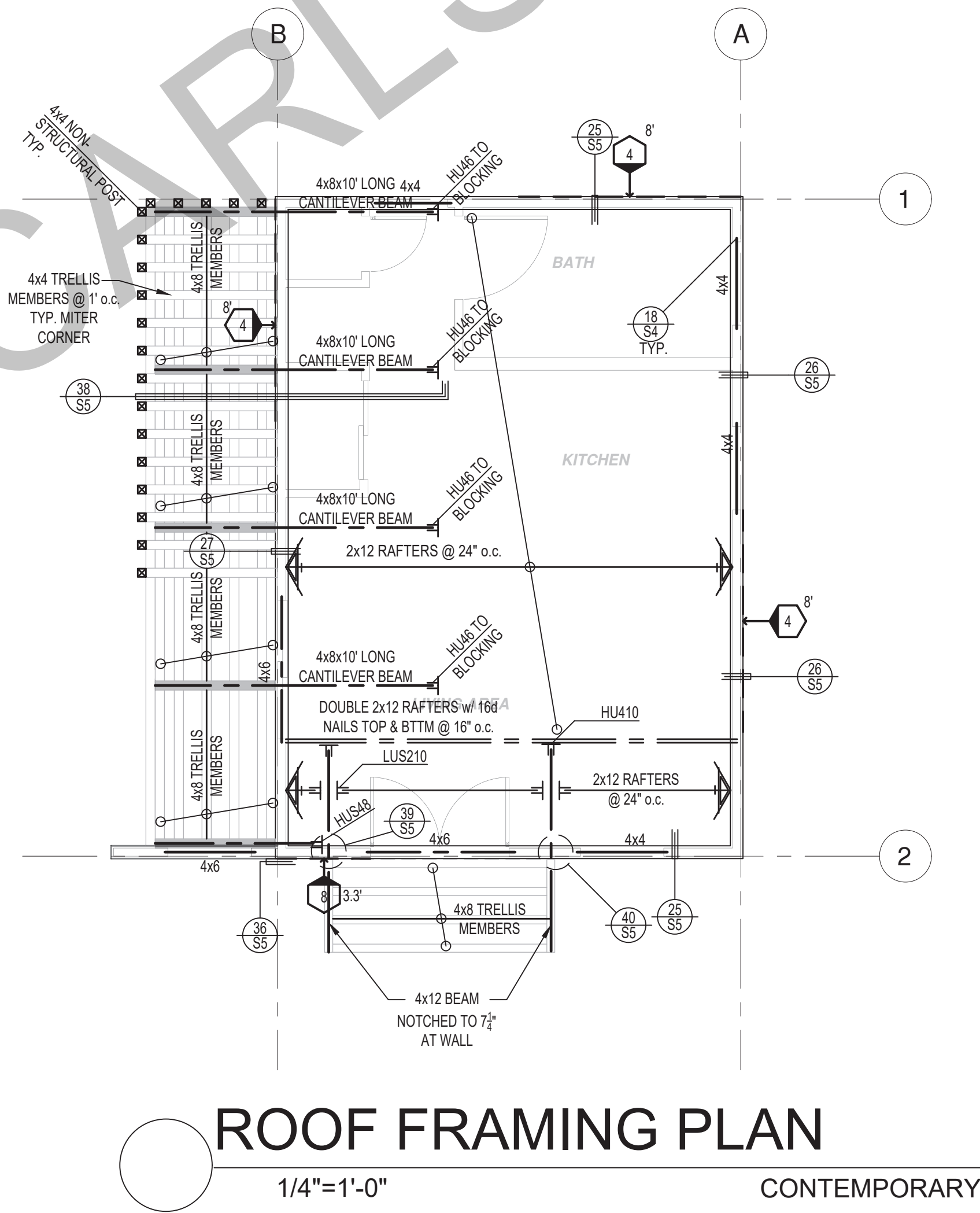
SPANISH



ROOF FRAMING PLAN

1/4"=1'-0"

FARMHOUSE



ROOF FRAMING PLAN

1/4"=1'-0"

CONTEMPORARY

SHEAR WALL SCHEDULE (ASD VALUES)

	4	5	6	7	8	9
SHEARWALL DESCRIPTION (See footnotes 1 & 4)	3/8" ply, C-D or C-C sheathing, (1) side w/ 8d @ 6" o/c edge, 12" o/c field, blocked (See footnote 3)	3/8" ply, C-D or C-C sheathing, (1) side w/ 8d @ 4 1/2" o/c edge, 12" o/c field, blocked (See footnote 3)	3/8" ply, C-D or C-C sheathing, (1) side w/ 8d @ 3" o/c edge, 12" o/c field 3x abutting panel studs blocked (See footnote 3 & 4)	3/8" rated STRUCT 1 panel, (1) side w/ 8d @ 3" o/c edge, 12" o/c field 3x abutting panel studs blocked (See footnote 3 & 4)	1/2" rated STRUCT 1 panel, (1) side w/ 10d @ 3" o/c edge, 12" o/c field 3x abutting panel studs blocked (See footnote 3, 4, & 5)	1 1/2" rated STRUCT 1 panel, (1) side w/ 10d @ 2" o/c edge, 12" o/c field 3x abutting panel studs blocked (See footnote 3, 4, & 5)
SHEAR VALUE (PLF)	260*	350*	490*	550*	665*	870*
ANCHOR BOLT SPACING	3/4" @ 48" or 1/2" @ 32"	3/8" @ 32" or 1/2" @ 24"	3/8" @ 24" or 1/2" @ 16"	3/8" @ 24" or 1/2" @ 16"	3/8" @ 16" or 1/2" @ 24"	3/8" @ 12" or 1/2" @ 8"
16d (0.148") SILL NAILING	6"	4 1/2"	3 1/2"	3"	1/2" x 4 1/2" SDS screws @ 8"	1/2" x 4 1/2" SDS screws @ 8"
SPACING OF A35LTP4 FRAMING TO TOP PLATE	32" O.C.	18" O.C.	12" O.C.	12" O.C.	8" O.C.	8" O.C.

SHEAR WALL FOOTNOTES

- AT PLYWOOD OR OSB PS-1 OR PS-2 RATED PANELS USE COMMON NAILS OR GALVANIZED BOX NAILS (2) LAYERS OF PAPER EXTERIOR PLYWOOD REQUIRED. SHEARWALLS SHALL BE APPLIED OVER STUDS @ 16" O/C. GALVANIZED NAILS SHALL NOT BE HOT-DIPPED OR TUMBLED.
- SILL PLATES & WASHERS SHALL COMPLY WITH THE CONCRETE FOUNDATION CONSTRUCTION AND WOOD FRAMING CONSTRUCTION NOTES. (SEE NOTES #206, 208, 209, 307, 308, 309, ETC.)
- IN PLYWOOD SHEARWALLS, THE EDGE OF THE 3" SQUARE WASHERS (SEE NOTE #206) SHALL BE 1/2" OR LESS FROM THE EDGE OF THE SILL PLATE ON THE SIDE OF THE SHEATHING. ALL NAILING SHALL BE 3/8" MIN. FROM THE EDGE OF SHEATHING.
- WHERE ALLOWABLE SHEAR VALUES EXCEED 350 PLF (SHEARWALL TYPES 6, 7, 8, & 9) ALL FRAMING RECEIVING NAILING FROM ABUTTING PANEL EDGES SHALL NOT BE LESS THAN A SINGLE 3" NOMINAL MEMBER OR (2) 2X MEMBERS NAILED WITH 10D, SPACING EQUAL TO THE E.N. SPACING. PLYWOOD JOINT AND SILL NAILING SHALL BE STAGGERED.
- IN SHEARWALL TYPES 8 & 9, SILL PLATE NAILING SHALL BE STAGGERED. AT SECOND FLOOR CONDITIONS, PROVIDE ADEQUATE RIM OR BLOCKING TO PREVENT SPLITTING.
- ALLOWABLE SHEAR VALUES FOR PLYWOOD SHEARWALLS MAY BE INCREASED BY 40% UNDER WIND LOADING.

**LEGEND**

- X" SHEARWALL & A.B. SPACING PER SCHEDULE
- BOLT TYPE HOLDDOWN
- BEARING OR EXTENT OF RAFTERS
- HANGER TO BEAM/LEDGER
- BEARING OR EXTENT OF JOISTS

\* PLEASE REFER TO NOTES 311 & 401 ON S1 FOR LUMBER GRADE SPECIFICATIONS.

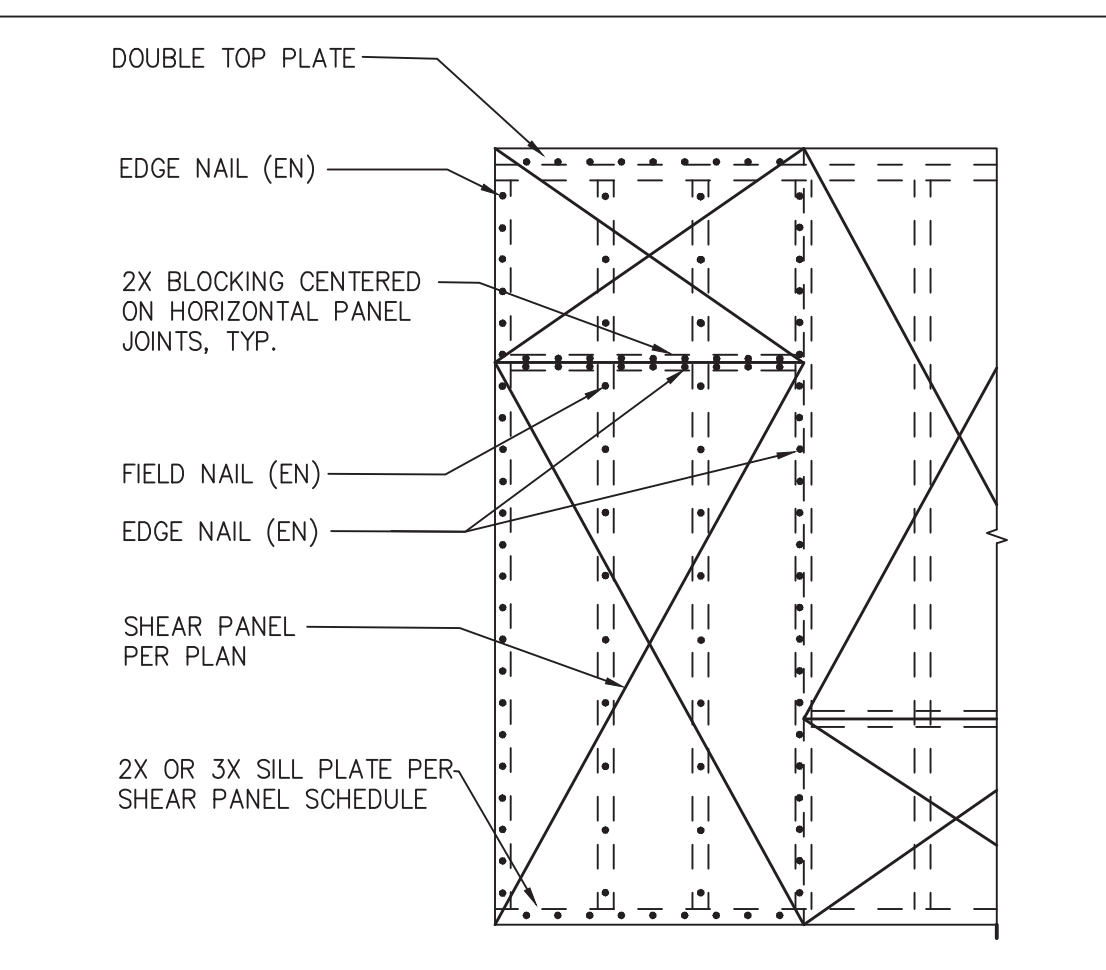
BY USING THESE PERMIT READY CONSTRUCTION DOCUMENTS, THE RECIPIENT ACKNOWLEDGES, ACCEPTS AND VOLUNTARILY AFFIRMS THE FOLLOWING CONDITIONS:  
 1. THE USE OF THIS INFORMATION IS RESTRICTED TO THE ORIGINAL PROJECT FOR WHICH IT WAS PREPARED FOR THE PERMIT READY ACCESSORY DWELLING UNIT (ADU) PROGRAM FOR THE CITY OF CARLSBAD ONLY. THIS IS A LIMITED SET OF STANDARDIZED ADU PLANS AND SPECIFICATIONS APPROVED BY THE CITY OF CARLSBAD BUILDING DEPARTMENT. BUILDING CODES DO CHANGE OVER TIME AND RECIPIENT SHALL ENSURE FULL COMPLIANCE UNDER ALL CODES THEN IN EFFECT AT THE TIME OF THE SUBJECT PERMIT. THIS DOES NOT ELIMINATE OR REDUCE THE RECIPIENT'S RESPONSIBILITY TO VERIFY ANY AND ALL INFORMATION RELEVANT TO THE RECIPIENT'S WORK AND RESPONSIBILITY ON THIS PROJECT. DESIGN PATH STUDIO SHALL NOT BE RESPONSIBLE FOR TRANSLATION ERRORS. DO NOT USE THESE CONSTRUCTION DOCUMENTS IF THE PERMIT HAS EXPIRED OR IS REVOKED AT ALL.  
 2. THE RECIPIENT RECOGNIZES AND ACKNOWLEDGES THAT THE USE OF THIS INFORMATION WILL BE AT THEIR SOLE RISK AND WITHOUT ANY LIABILITY OR LEGAL EXPOSURE TO DESIGN PATH STUDIO. NO WARRANTIES OF ANY NATURE, WHETHER EXPRESS OR IMPLIED, SHALL ATTACH TO THESE DOCUMENTS AND THE INFORMATION CONTAINED THEREON. ANY USE, REUSE, OR ALTERATION OF THESE DOCUMENTS BY THE RECIPIENT OR BY OTHERS WILL BE AT THE RECIPIENT'S RISK AND FULL LEGAL RESPONSIBILITY. FURTHERMORE, THE RECIPIENT WILL, TO THE FULLEST EXTENT PERMITTED BY LAW, DEFEND, INDEMNIFY AND HOLD DESIGN PATH STUDIO AND ITS ARCHITECTS HARMLESS FROM ANY AND ALL CLAIMS, SUITS, LIABILITY, DEMANDS, JUDGMENTS, OR COSTS ARISING OUT OF OR RESULTING THERE FROM ANY USE OF THESE CONSTRUCTION DOCUMENTS FOR OR ON ACCOUNT OF ANY INJURY, DEATH, DAMAGE OR LOSS TO PERSONS OR PROPERTY, DIRECT OR CONSEQUENTIAL DAMAGES IN ANY AMOUNT. THIS INDEMNITY DOES NOT APPLY TO THE SOLE NEGLIGENCE OR WILLFUL MISCONDUCT OF DESIGN PATH STUDIO OR ITS ARCHITECTS.  
 3. THE DESIGNS REPRESENTED BY THESE PLANS ARE COPYRIGHTED AND ARE SUBJECT TO COPYRIGHT PROTECTION.  
 4. IF THE RECIPIENT DOES NOT AGREE WITH THE ABOVE CONDITIONS, DO NOT PROCEED WITH CONSTRUCTION OF AN ADU OR OTHER IMPROVEMENT UNDER THESE PLANS AT ALL.

project  
City of Carlsbad  
Pre-Approved ADU  
Program

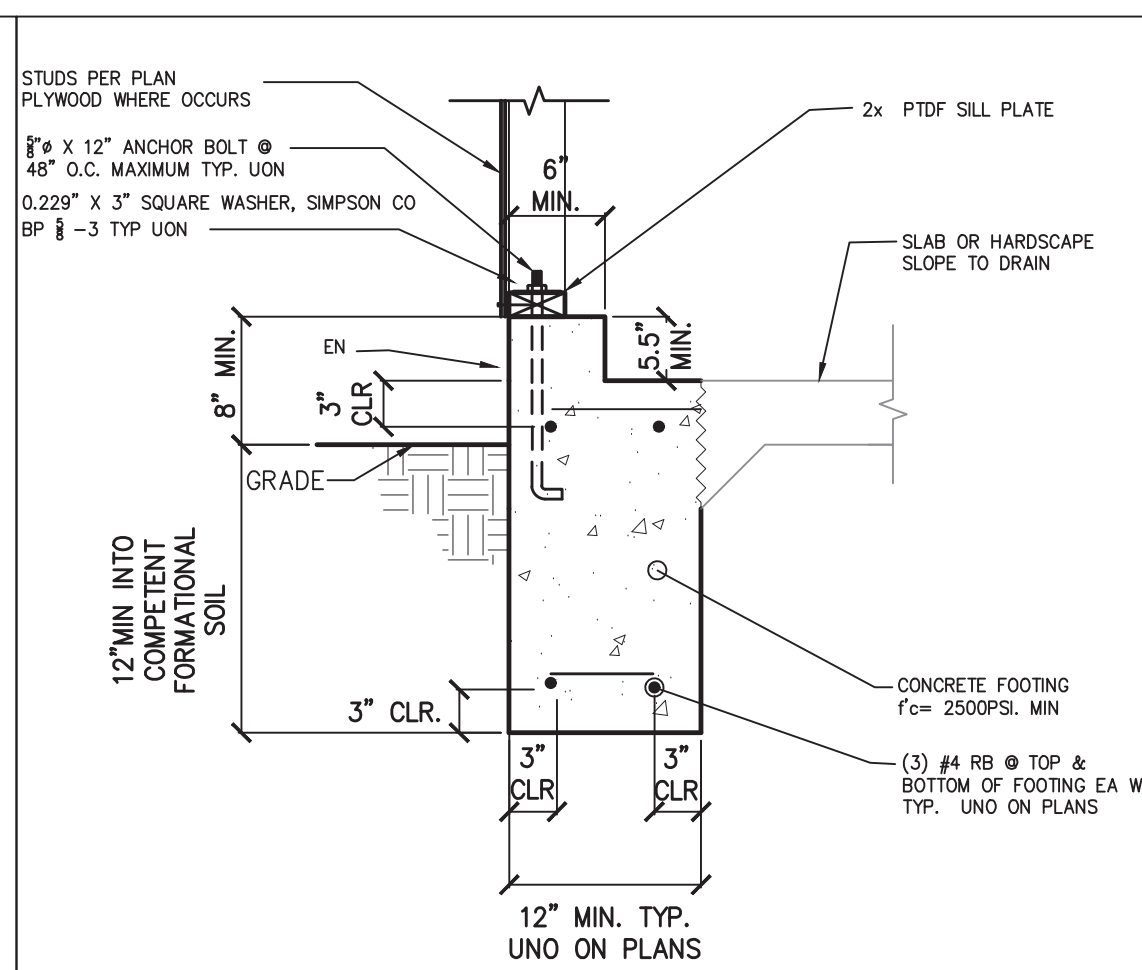
revisions  
description  
Studio  
Framing  
Plans

date 05 May 2023  
project no. 2022\_Carlsbad\_ADU  
drawn by Design Path Studio  
sheet no.

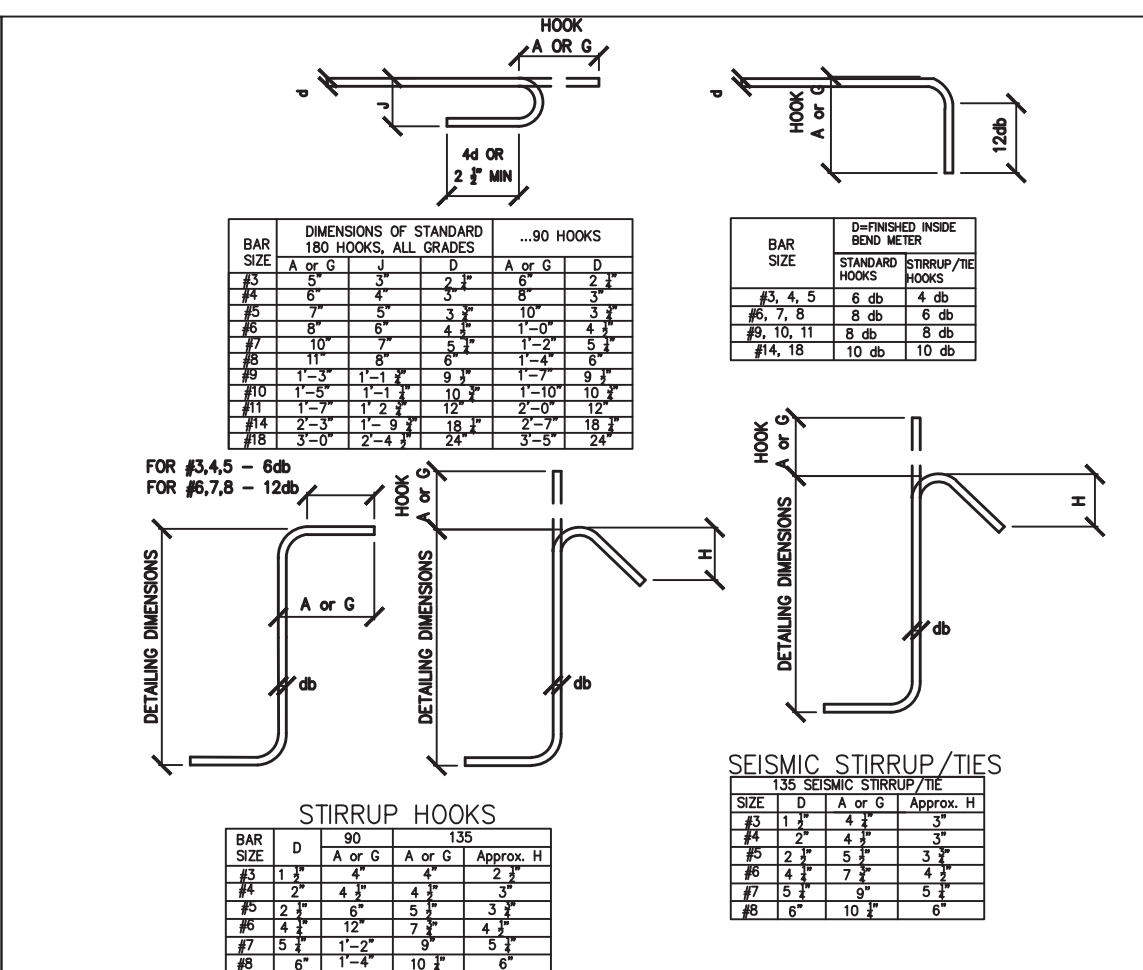




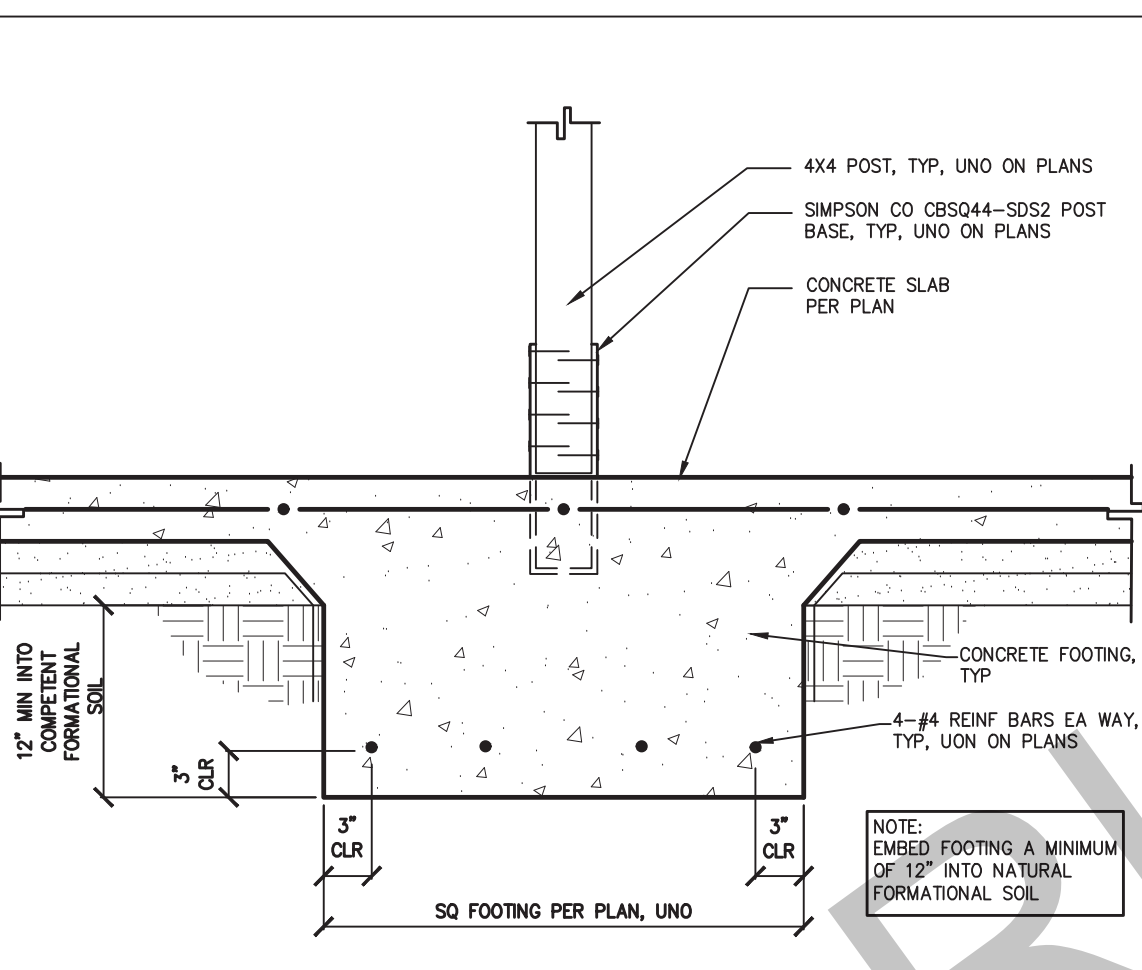
17 TYPICAL SHEAR PANEL SCALE: NTS



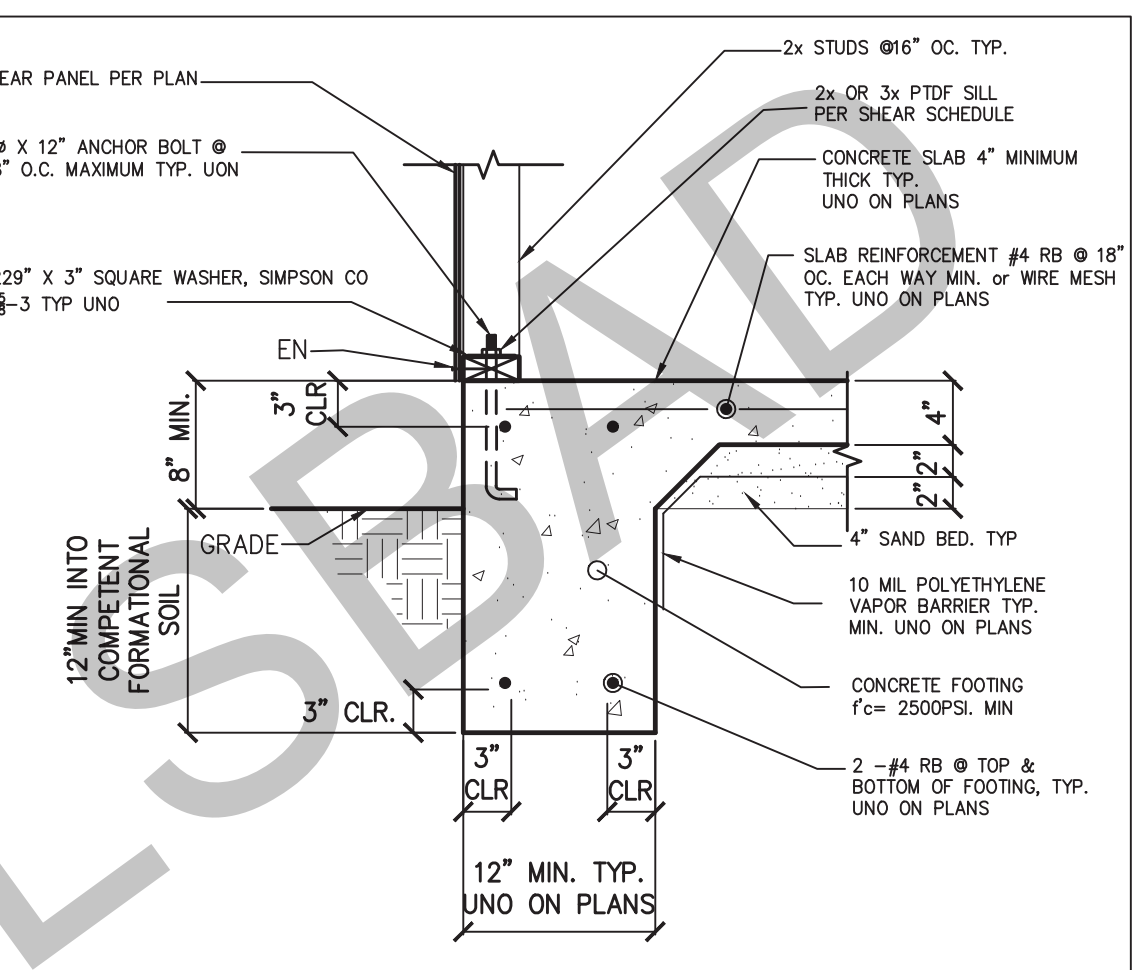
13 EXTERIOR WALL AT PORCH FOOTING SCALE: 1"=1'-0"



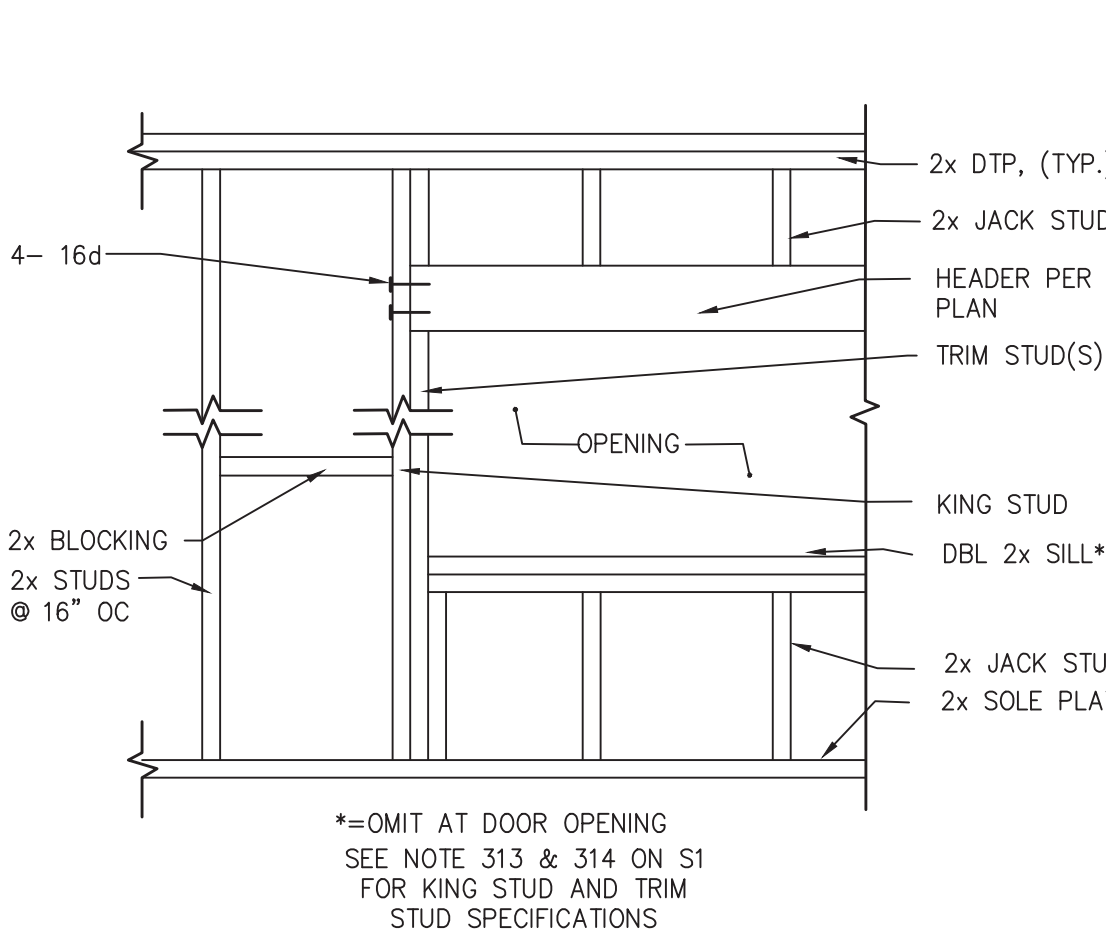
9 STANDARD HOOK DETAILS SCALE: NTS



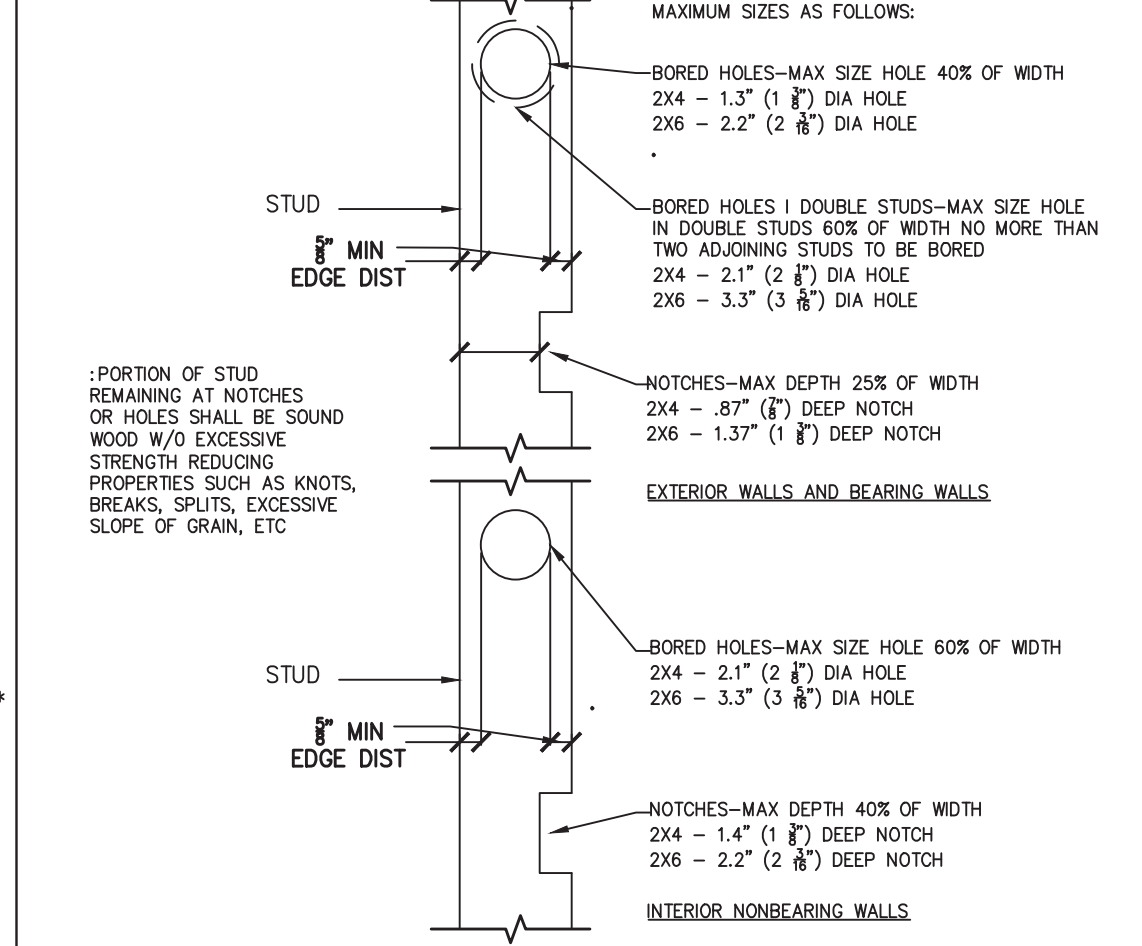
5 POST FOOTING WITH SLAB SCALE: 1"=1'-0"



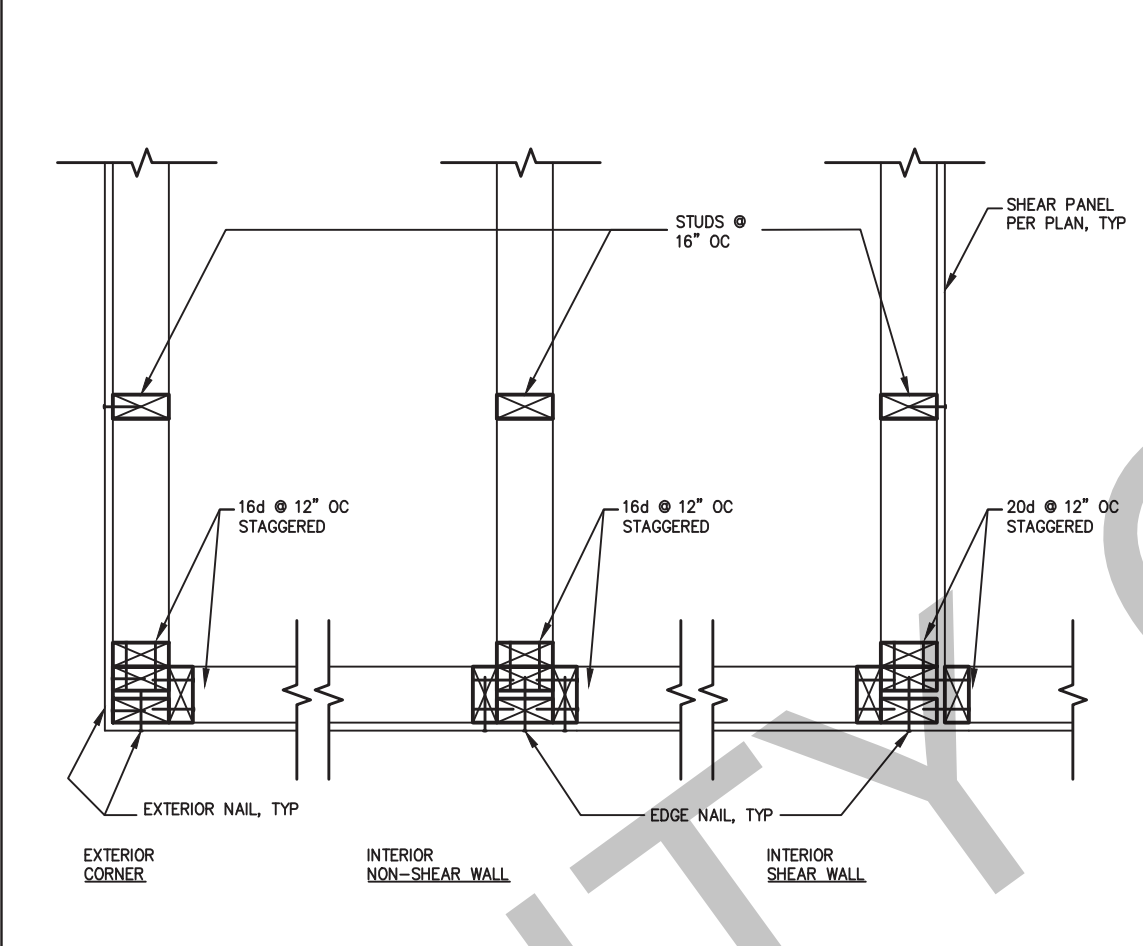
1 EXTERIOR FOOTING, TYPICAL SCALE: 1"=1'-0"



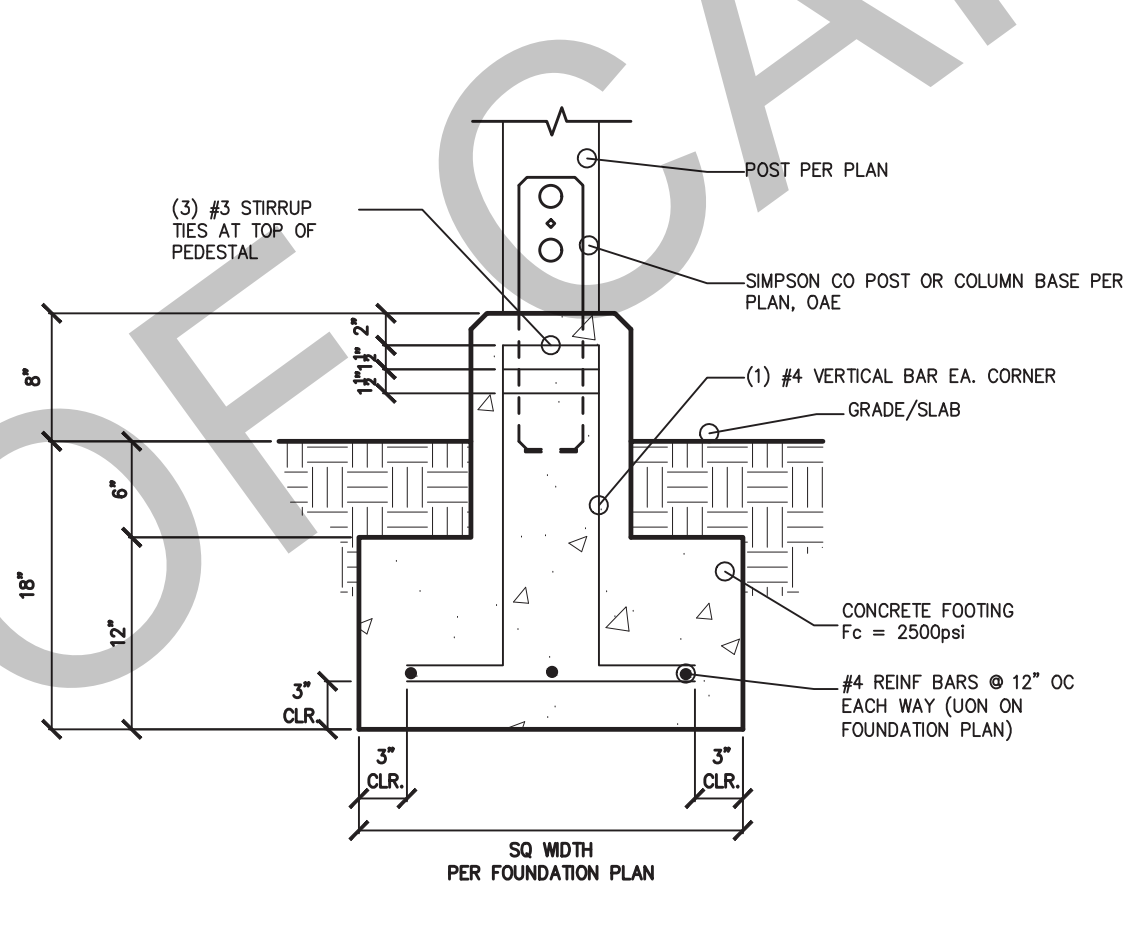
18 FRAMING FOR ROUGH WINDOW OR DOOR OPENING SCALE: 1 1/2"=1'-0"



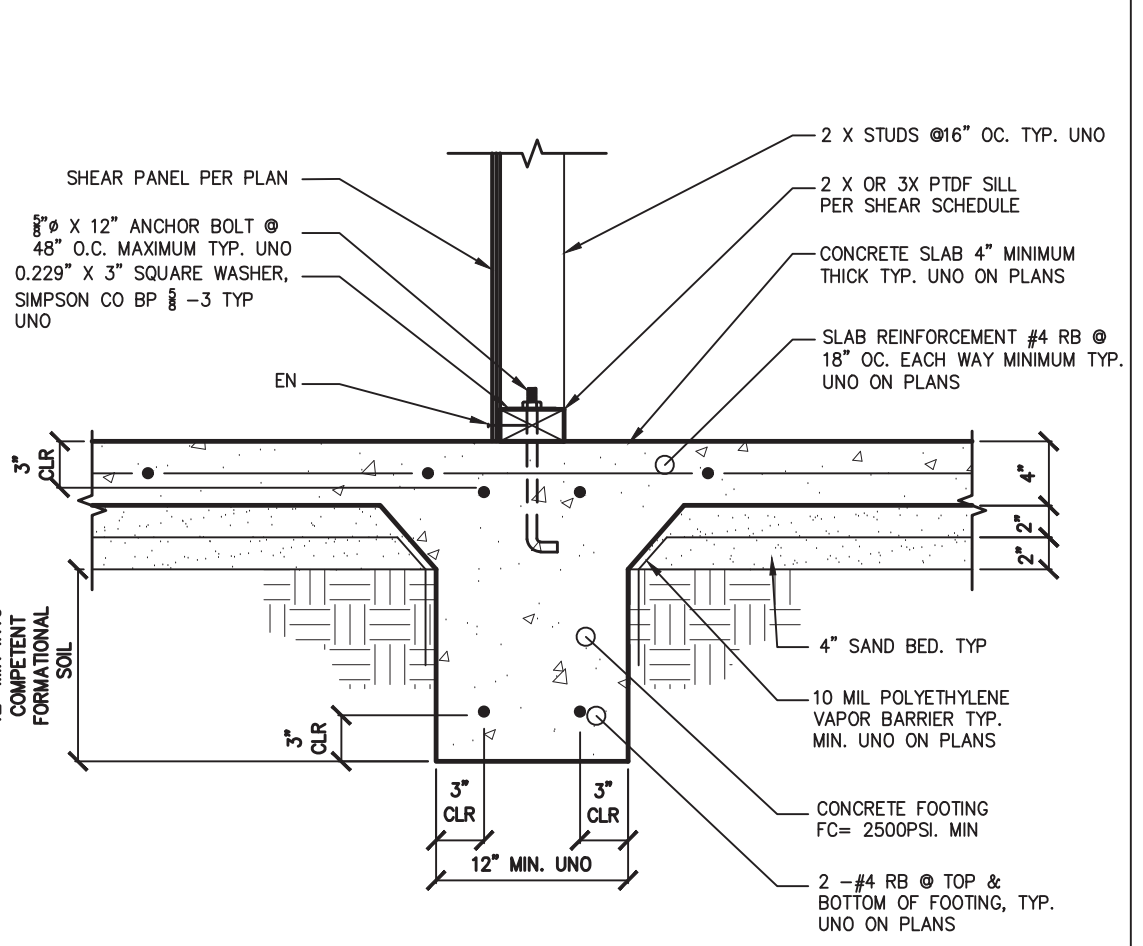
14 STUD CUTTING, BORING AND NOTCHING SCALE: 1"=1'-0"



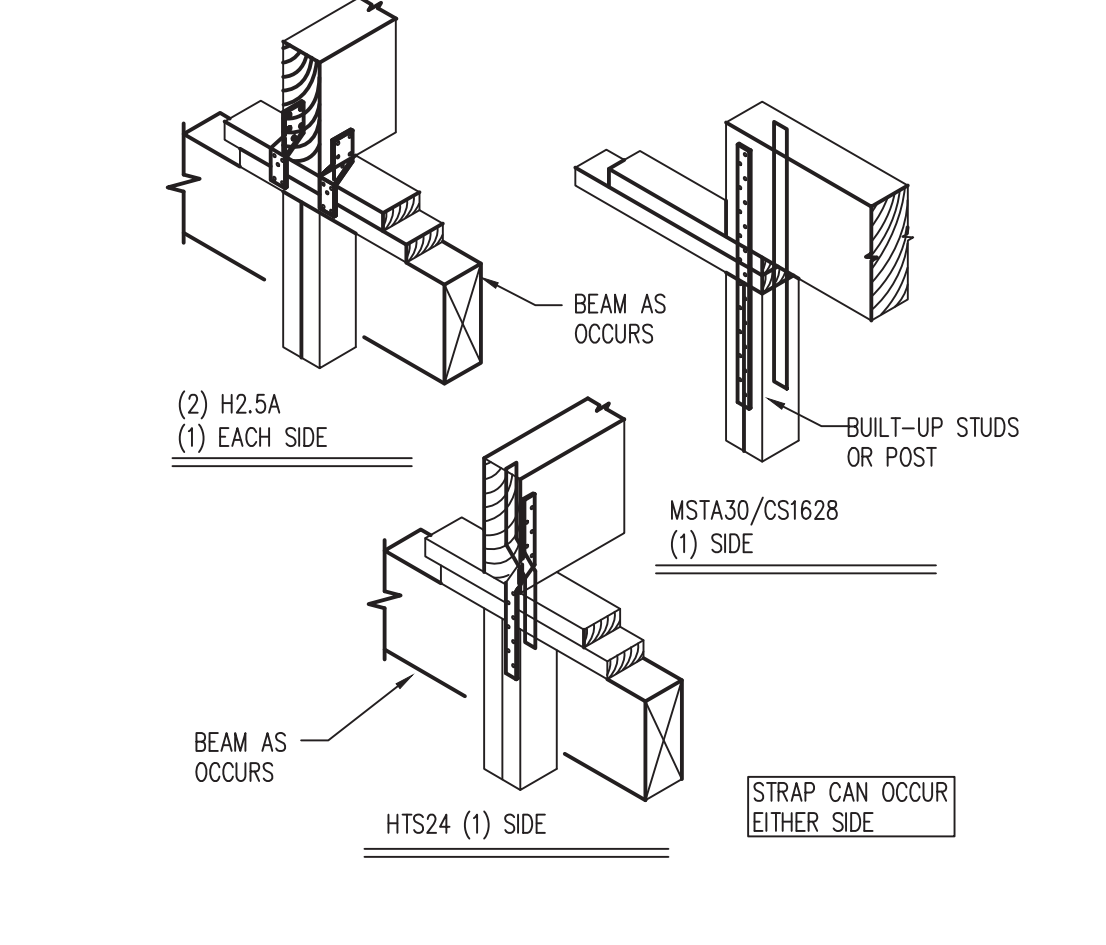
10 STUD WALL INTERSECTION SCALE: 1"=1'-0"



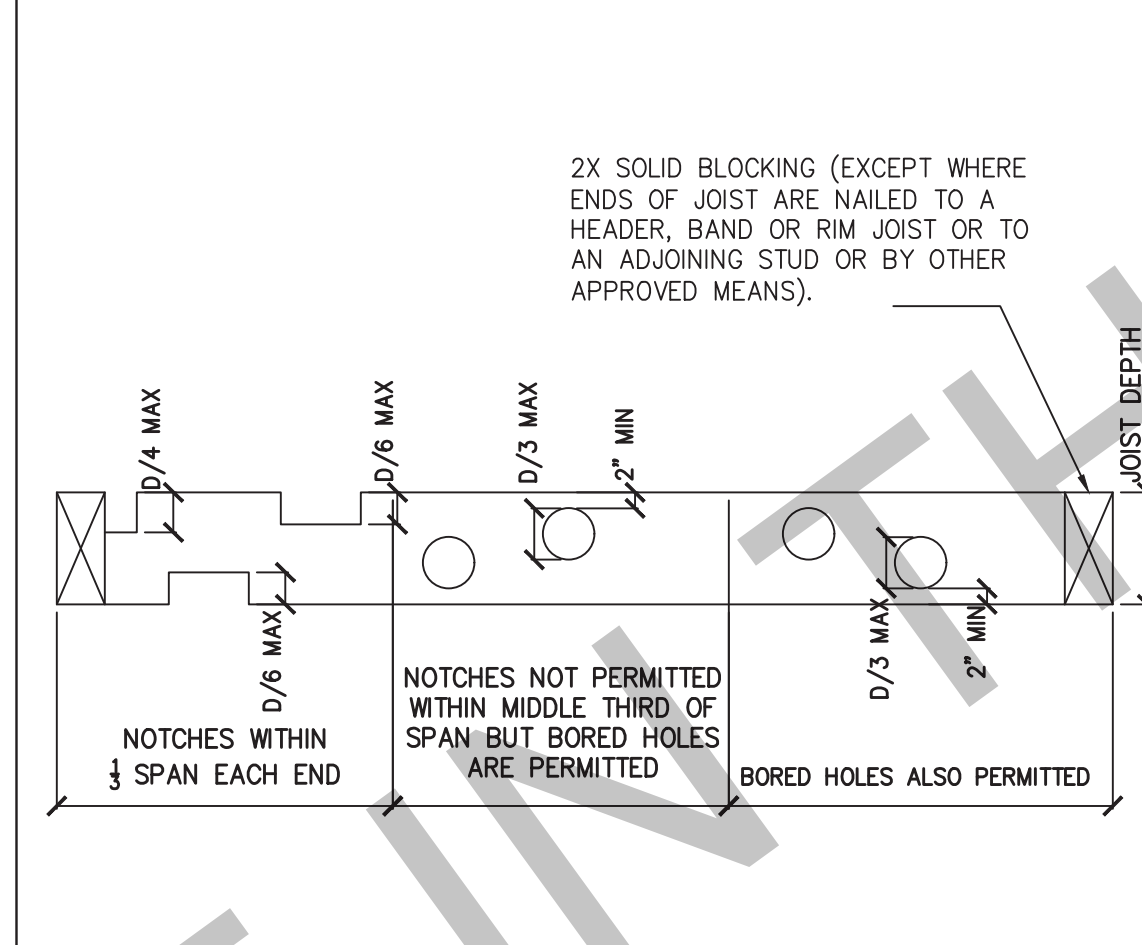
6 TYPICAL POST FOOTING SCALE: 1"=1'-0"



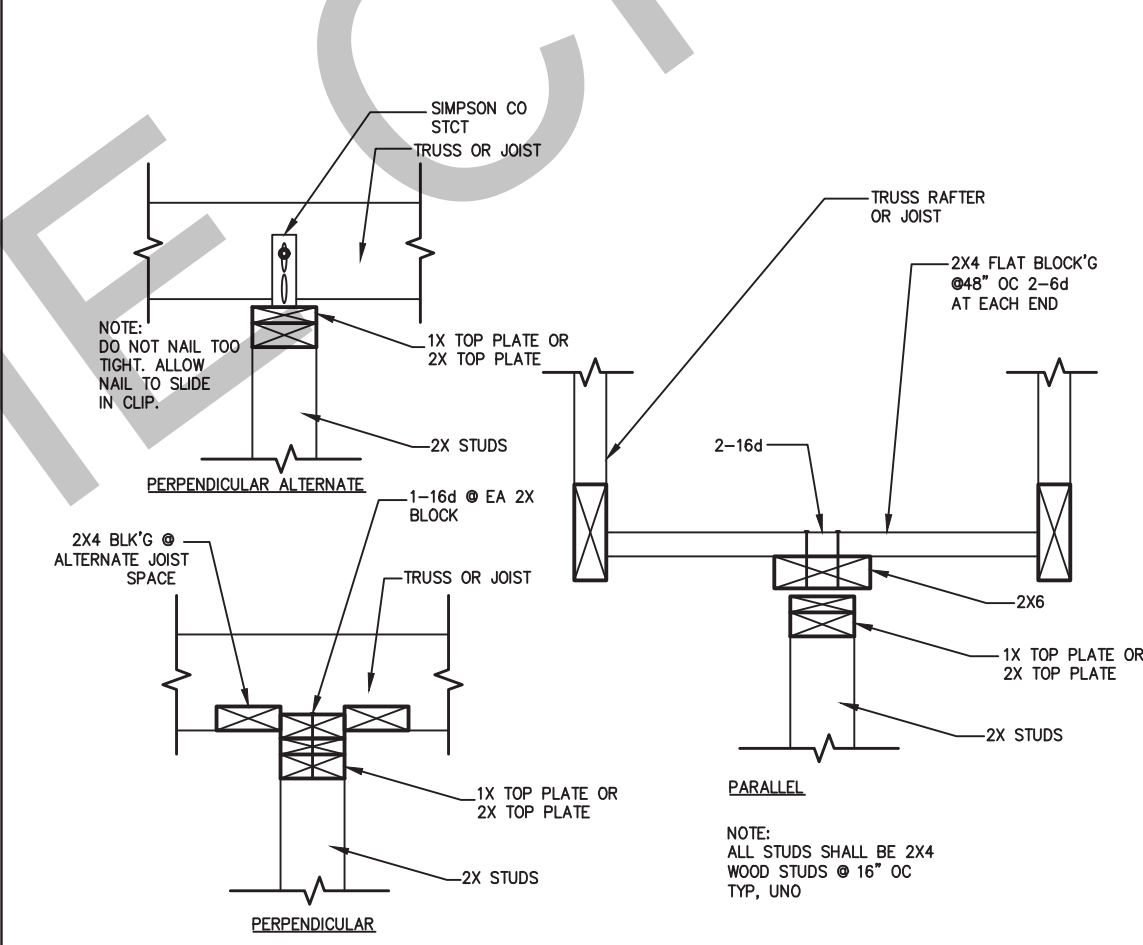
2 SLAB ON GRADE ONE STORY INTERIOR FOOTING SCALE: 1"=1'-0"



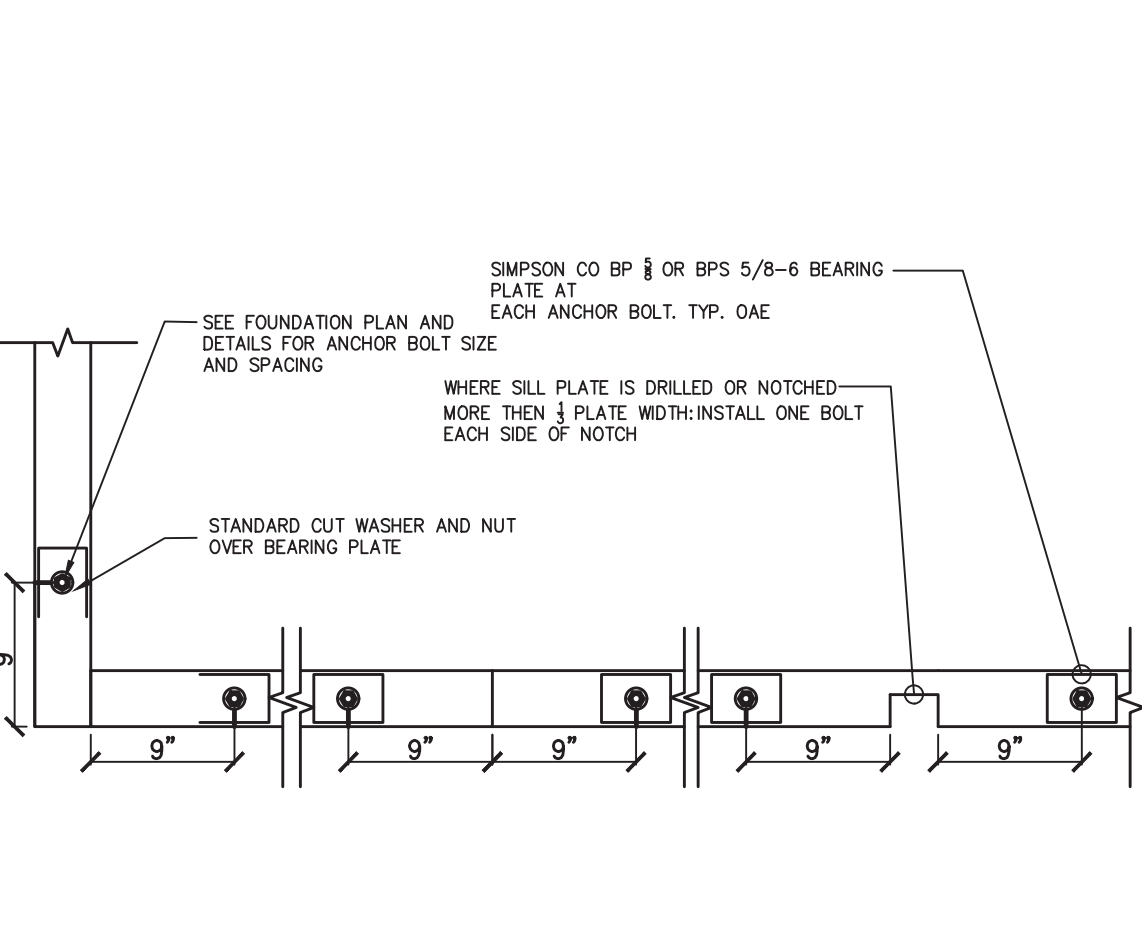
19 SUPPORT COLUMN TO BEAM SCALE: 1"=1'-0"



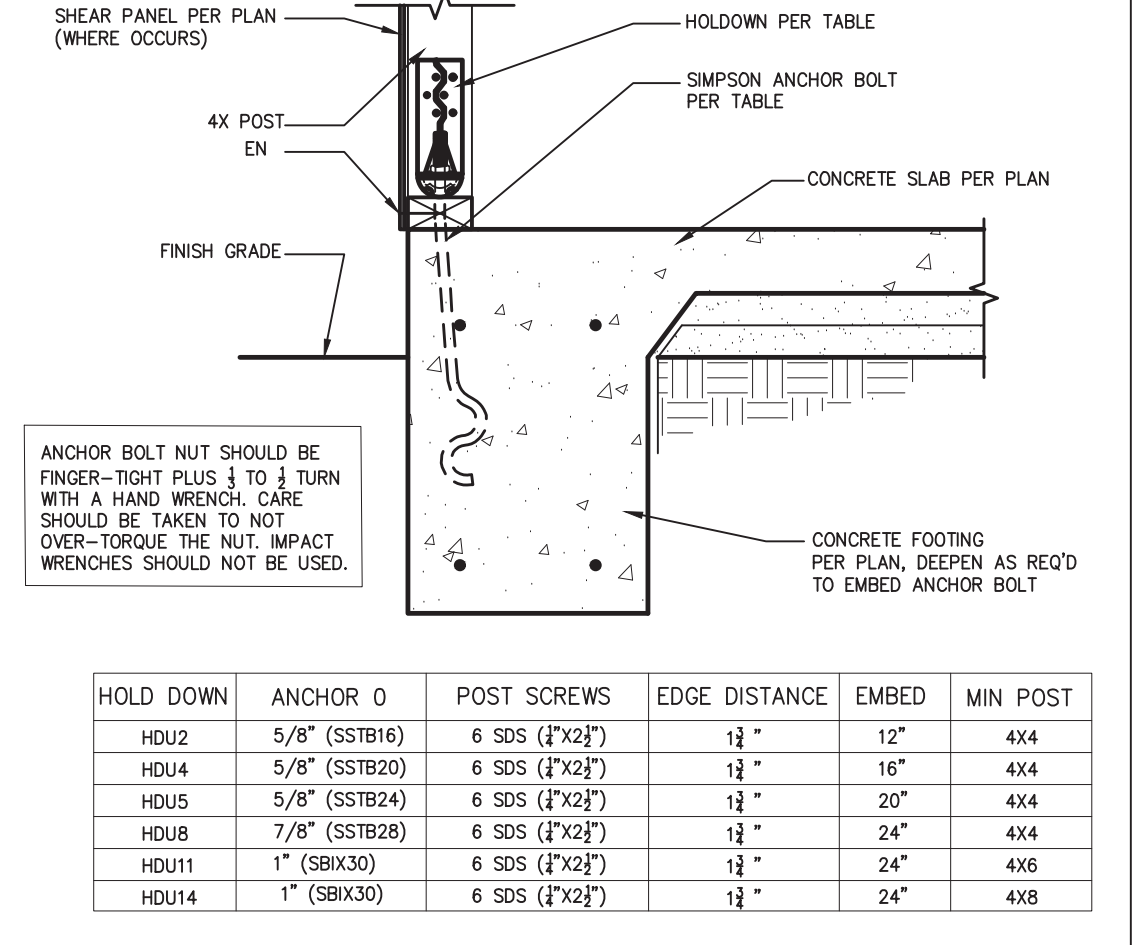
15 JOIST CUTTING, BORING AND NOTCHING SCALE: NTS



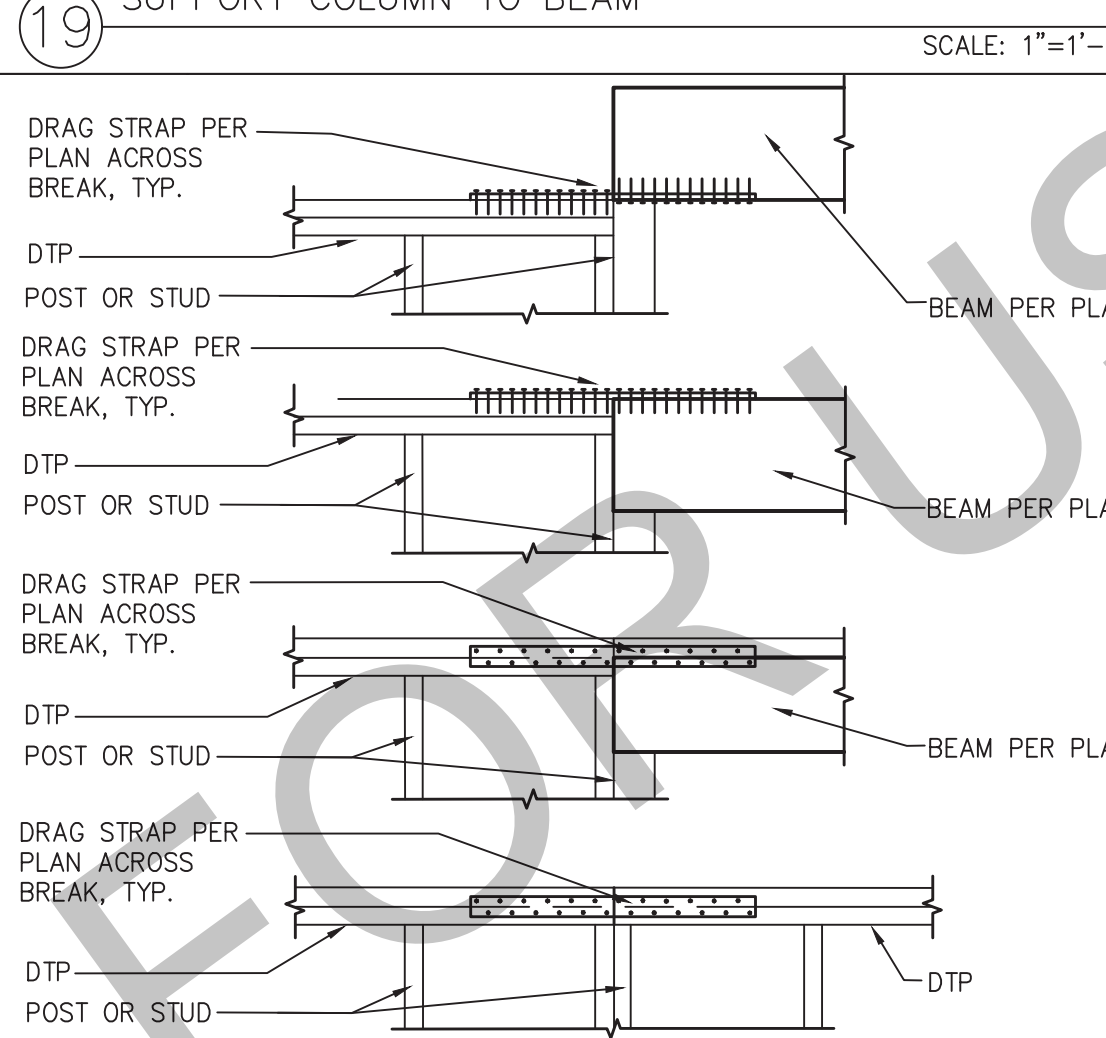
11 NON-BEARING/NON-SHEAR PARTITIONS AT TOP PLATE SCALE: 1"=1'-0"



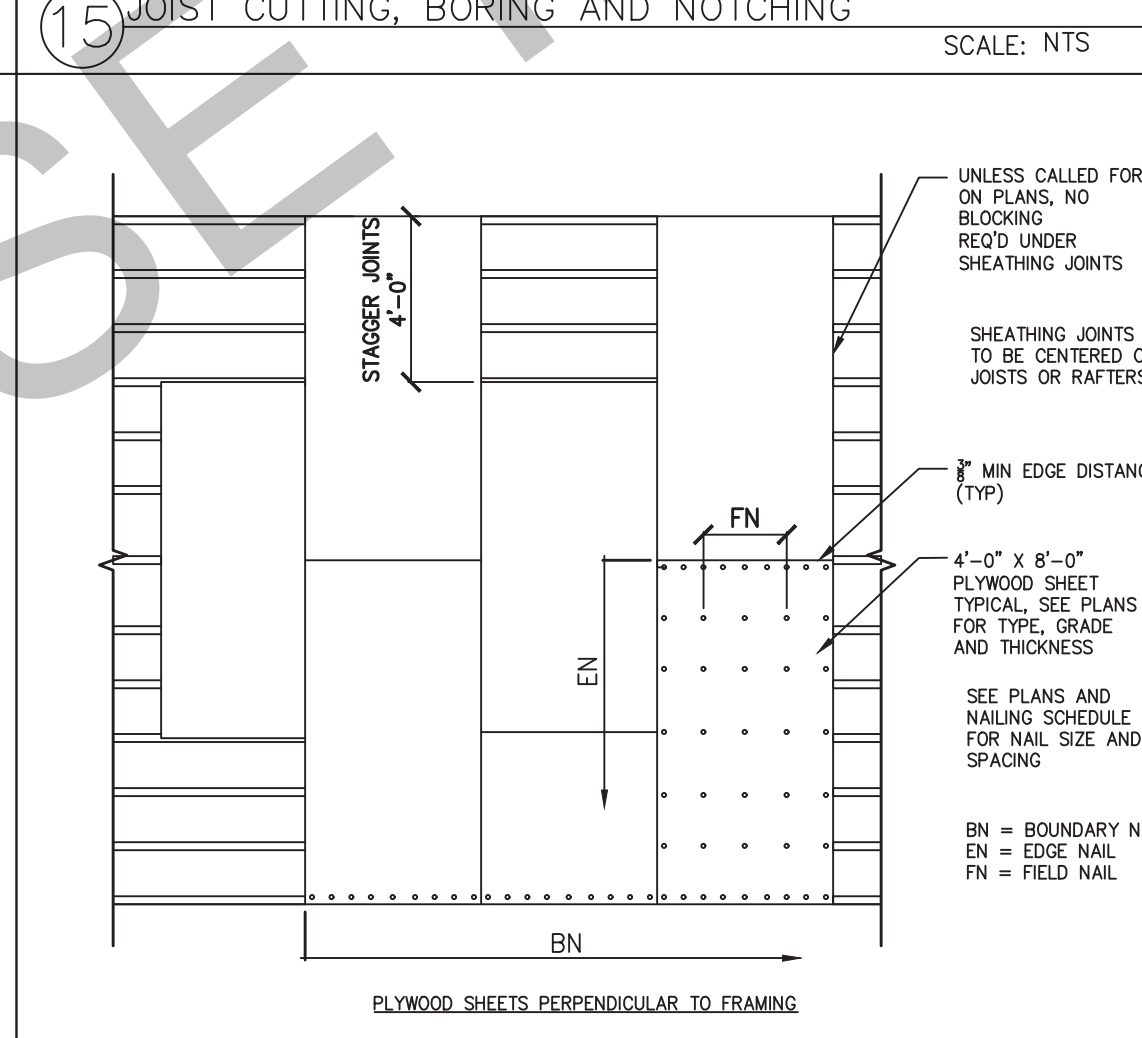
7 SILL PLATE ANCHOR BOLTING SCALE: 1"=1'-0"



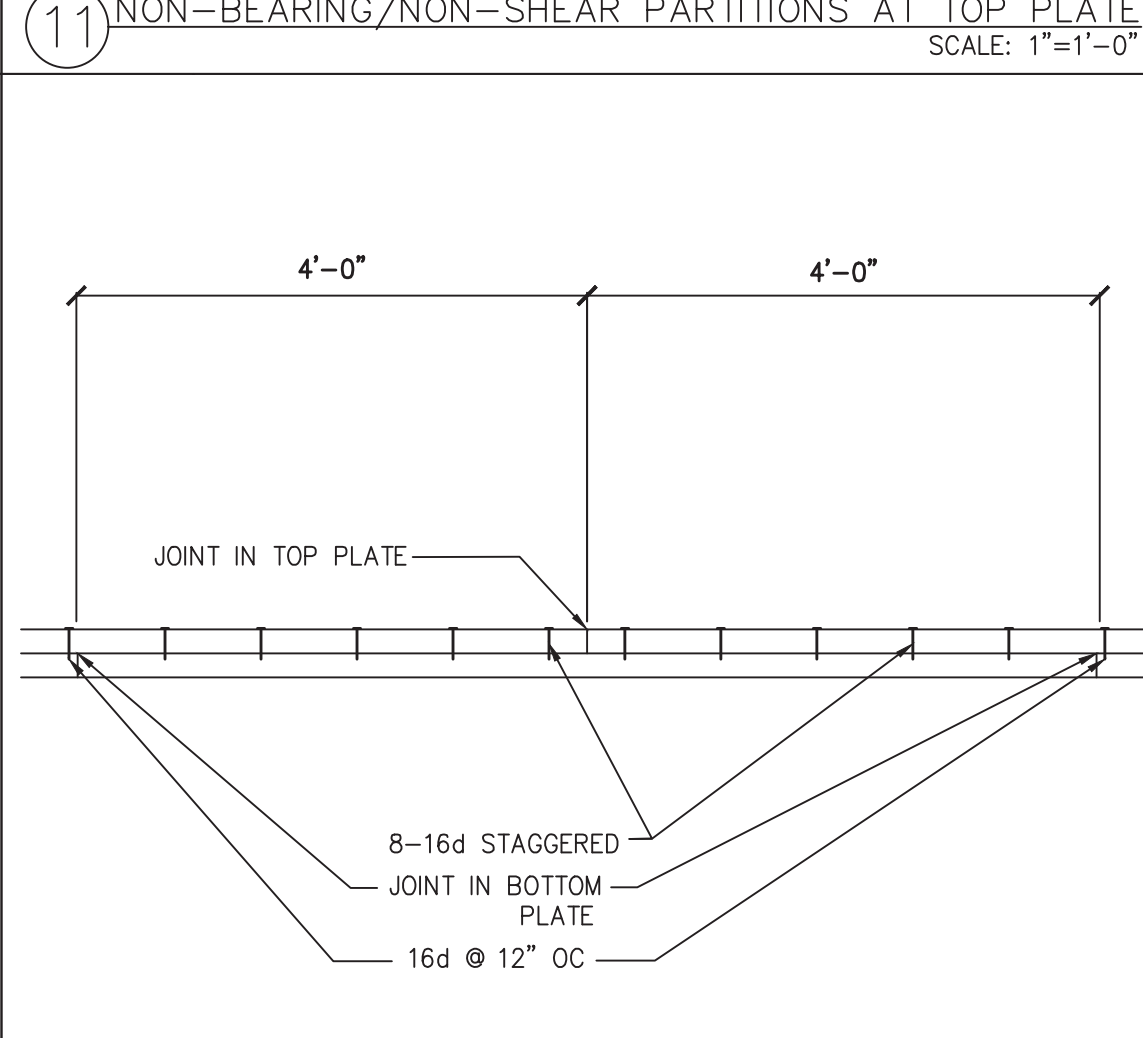
3 HOLDOWN - PERIMETER FOOTING SCALE: 1"=1'-0"



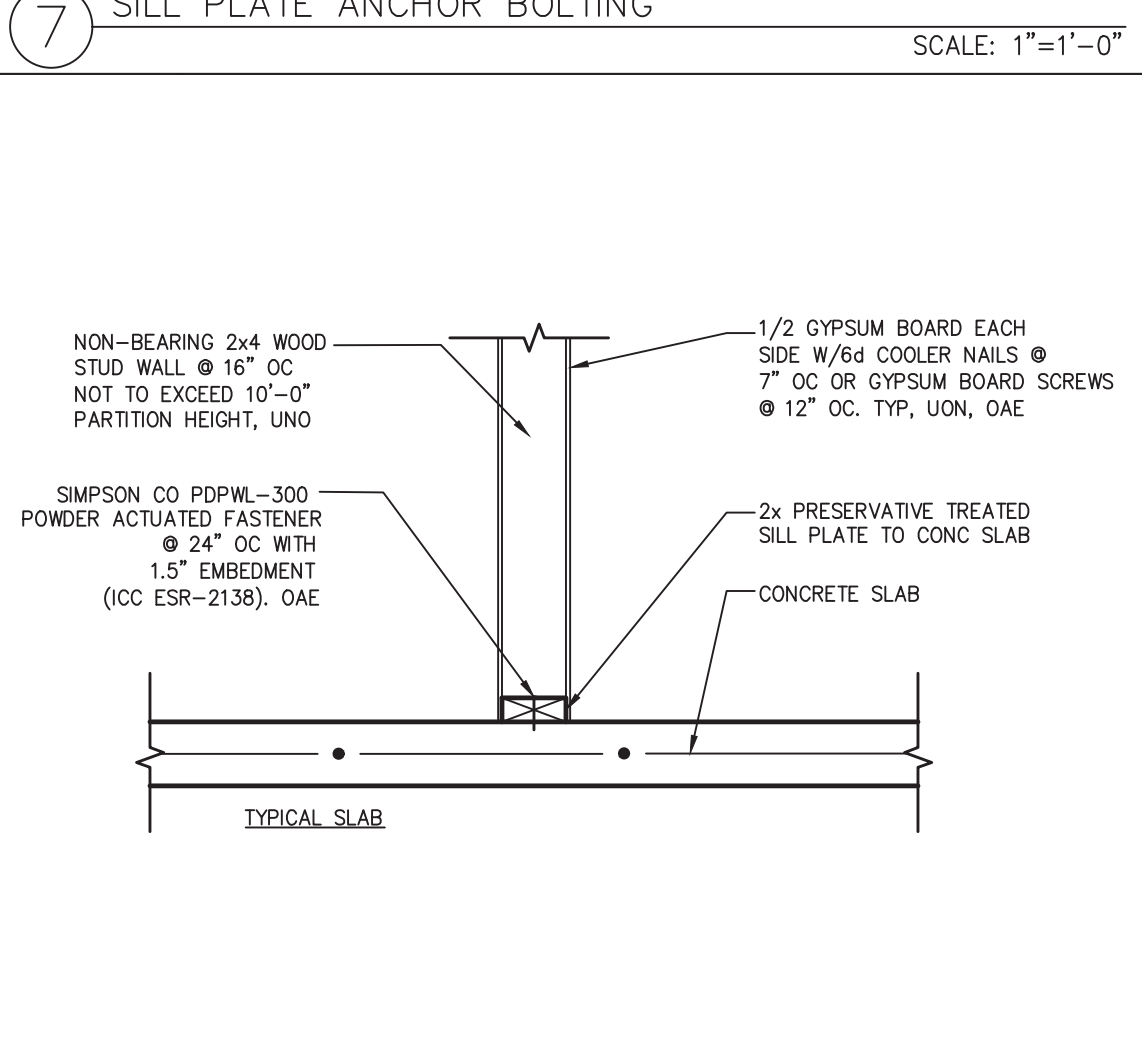
20 DRAG STRAP AT TP TO BM OR TP SCALE: 1"=1'-0"



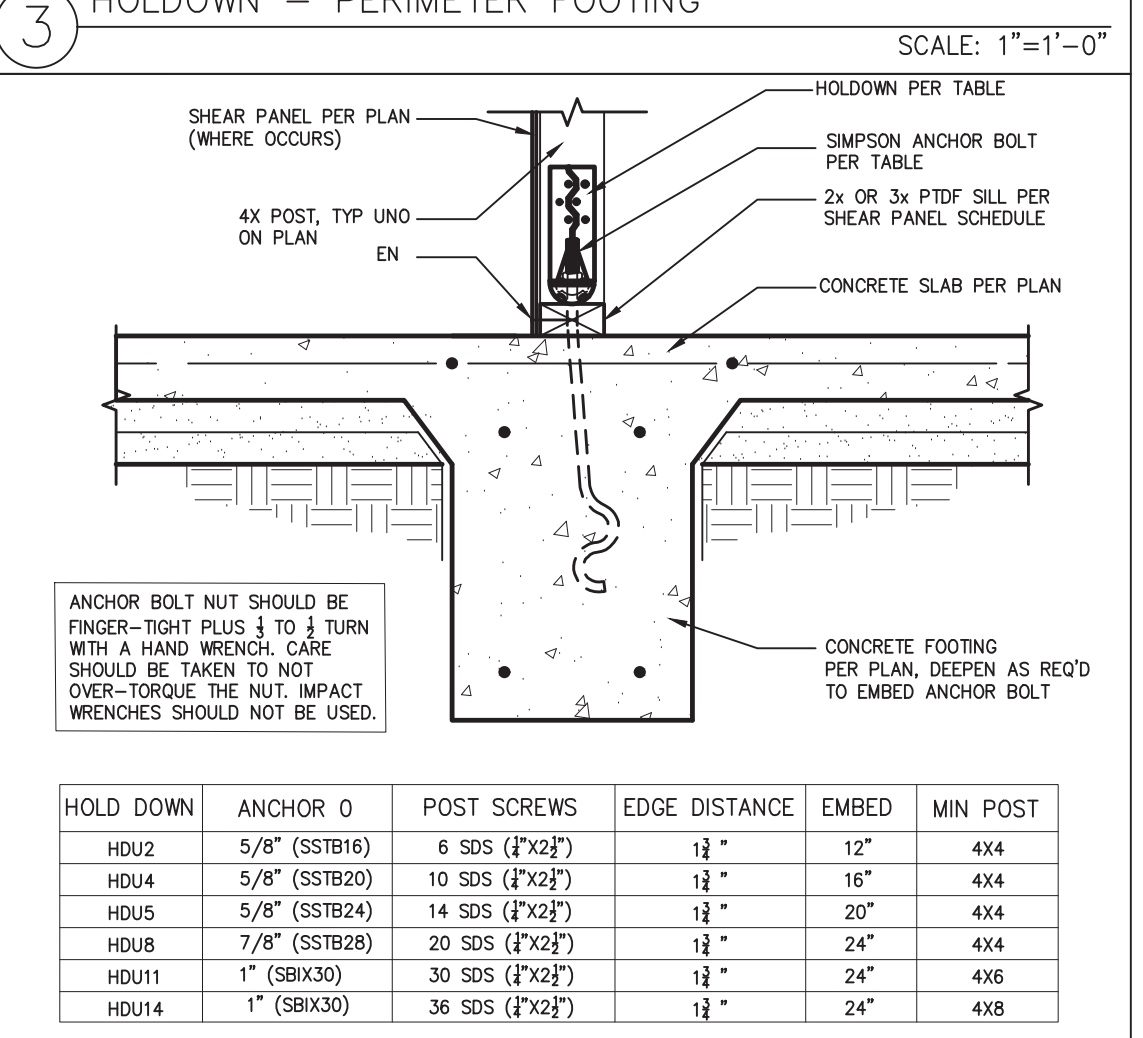
16 WOOD ROOF AND FLOOR SHEATHING LAYOUT SCALE: 1"=1'-0"



12 DOUBLE TOP-PLATE SPLICE SCALE: NTS



8 NON-BEARING INTERIOR STUD WALL TO CONCRETE SLAB SCALE: 1"=1'-0"



4 HOLDOWN - INTERIOR FOOTING SCALE: 1"=1'-0"

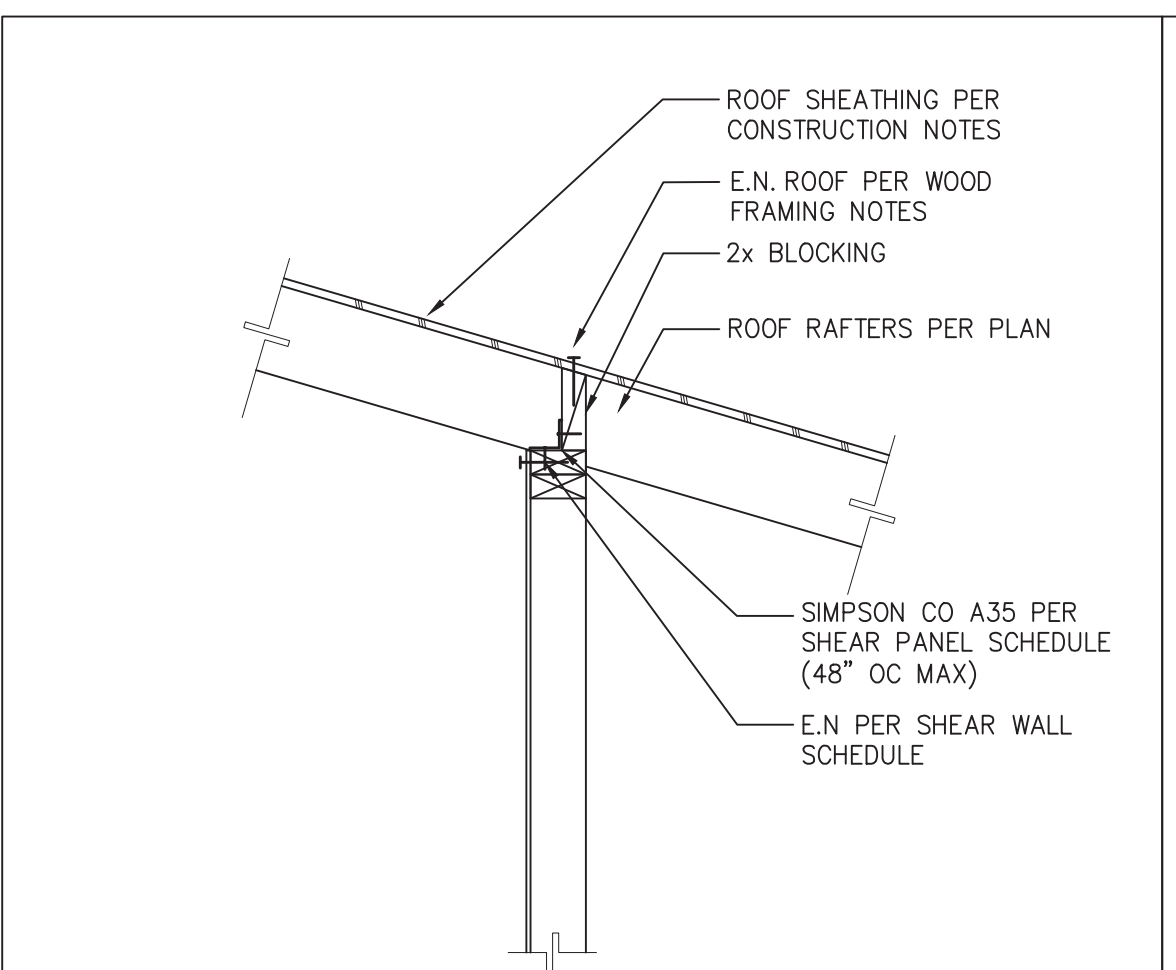
BY USING THESE PERMIT READY CONSTRUCTION DOCUMENTS, THE RECIPIENT ACKNOWLEDGES, ACCEPTS AND VOLUNTARILY AFFIRMS THE FOLLOWING CONDITIONS:  
 1. THE USE OF THIS INFORMATION IS RESTRICTED TO THE ORIGINAL PROJECT FOR WHICH IT WAS PREPARED FOR THE PERMIT READY ACCESSORY DWELLING UNIT (ADU) PROGRAM FOR THE CITY OF CARLSBAD ONLY. THIS IS A LIMITED SET OF STANDARDIZED ADU PLANS AND SPECIFICATIONS APPROVED BY THE CITY OF CARLSBAD BUILDING DEPARTMENT. BUILDING CODES DO CHANGE OVER TIME AND RECIPIENT SHALL ENSURE FULL COMPLIANCE UNDER ALL CODES THEN IN EFFECT AT THE TIME OF THE SUBJECT PERMIT. THIS DOES NOT ELIMINATE OR REDUCE THE RECIPIENT'S RESPONSIBILITY TO VERIFY ANY AND ALL INFORMATION RELEVANT TO THE RECIPIENT'S WORK AND RESPONSIBILITY ON THIS PROJECT. DESIGN PATH STUDIO SHALL NOT BE RESPONSIBLE FOR TRANSLATION ERRORS. DO NOT USE THESE CONSTRUCTION DOCUMENTS IF THE PERMIT HAS EXPIRED OR IS REVOKED AT ALL.  
 2. THE RECIPIENT RECOGNIZES AND ACKNOWLEDGES THAT THE USE OF THIS INFORMATION WILL BE AT THEIR SOLE RISK AND WITHOUT ANY LIABILITY OR LEGAL EXPOSURE TO DESIGN PATH STUDIO. NO WARRANTIES OF ANY NATURE, WHETHER EXPRESS OR IMPLIED, SHALL ATTACH TO THESE DOCUMENTS AND THE INFORMATION CONTAINED THEREON. ANY USE, REUSE, OR ALTERATION OF THESE DOCUMENTS BY THE RECIPIENT OR BY OTHERS WILL BE AT THE RECIPIENT'S RISK AND FULL LEGAL RESPONSIBILITY. FURTHERMORE, THE RECIPIENT WILL, TO THE FULLEST EXTENT PERMITTED BY LAW, DEFEND, INDEMNIFY AND HOLD DESIGN PATH STUDIO AND ITS ARCHITECTS HARMLESS FROM ANY AND ALL CLAIMS, SUITS, LIABILITY, DEMANDS, JUDGMENTS, OR COSTS ARISING OUT OF OR RESULTING THERE FROM ANY USE OF THESE CONSTRUCTION DOCUMENTS FOR OR ON ACCOUNT OF ANY INJURY, DEATH, DAMAGE OR LOSS TO PERSONS OR PROPERTY, DIRECT OR CONSEQUENTIAL DAMAGES IN ANY AMOUNT, THIS INDEMNITY DOES NOT APPLY TO THE SOLE NEGLIGENCE OR WILLFUL MISCONDUCT OF DESIGN PATH STUDIO OR ITS ARCHITECTS.  
 3. THE DESIGNS REPRESENTED BY THESE PLANS ARE COPYRIGHTED AND ARE SUBJECT TO COPYRIGHT PROTECTION.  
 4. IF THE RECIPIENT DOES NOT AGREE WITH THE ABOVE CONDITIONS, DO NOT PROCEED WITH CONSTRUCTION OF AN ADU OR OTHER IMPROVEMENT UNDER THESE PLANS AT ALL.

project  
City of Carlsbad  
Pre-Approved ADU  
Program

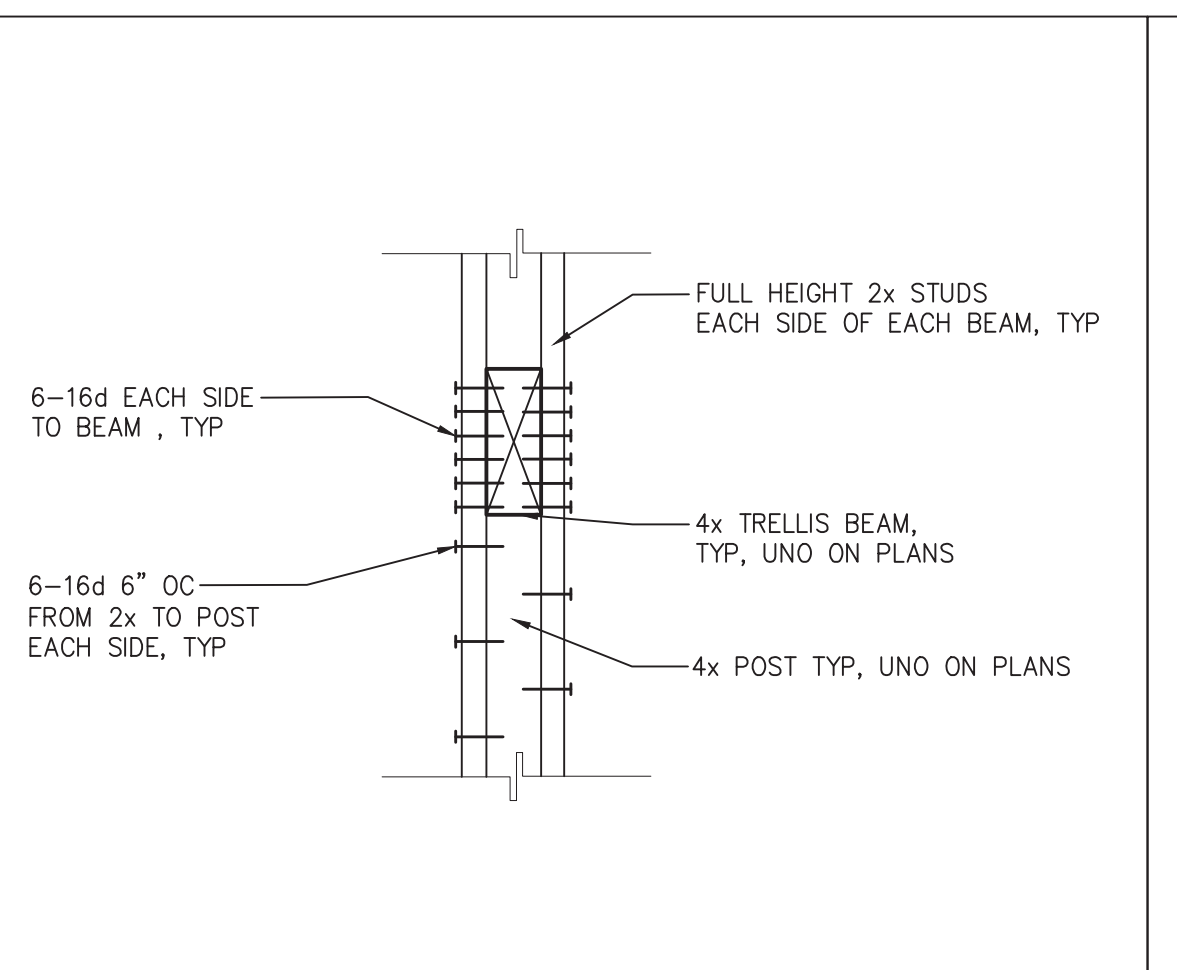
revisions  
 description  
Structural  
Details

date 05 May 2023  
 project no. 2022\_Carlsbad\_ADU  
 drawn by Design Path Studio  
 sheet no.

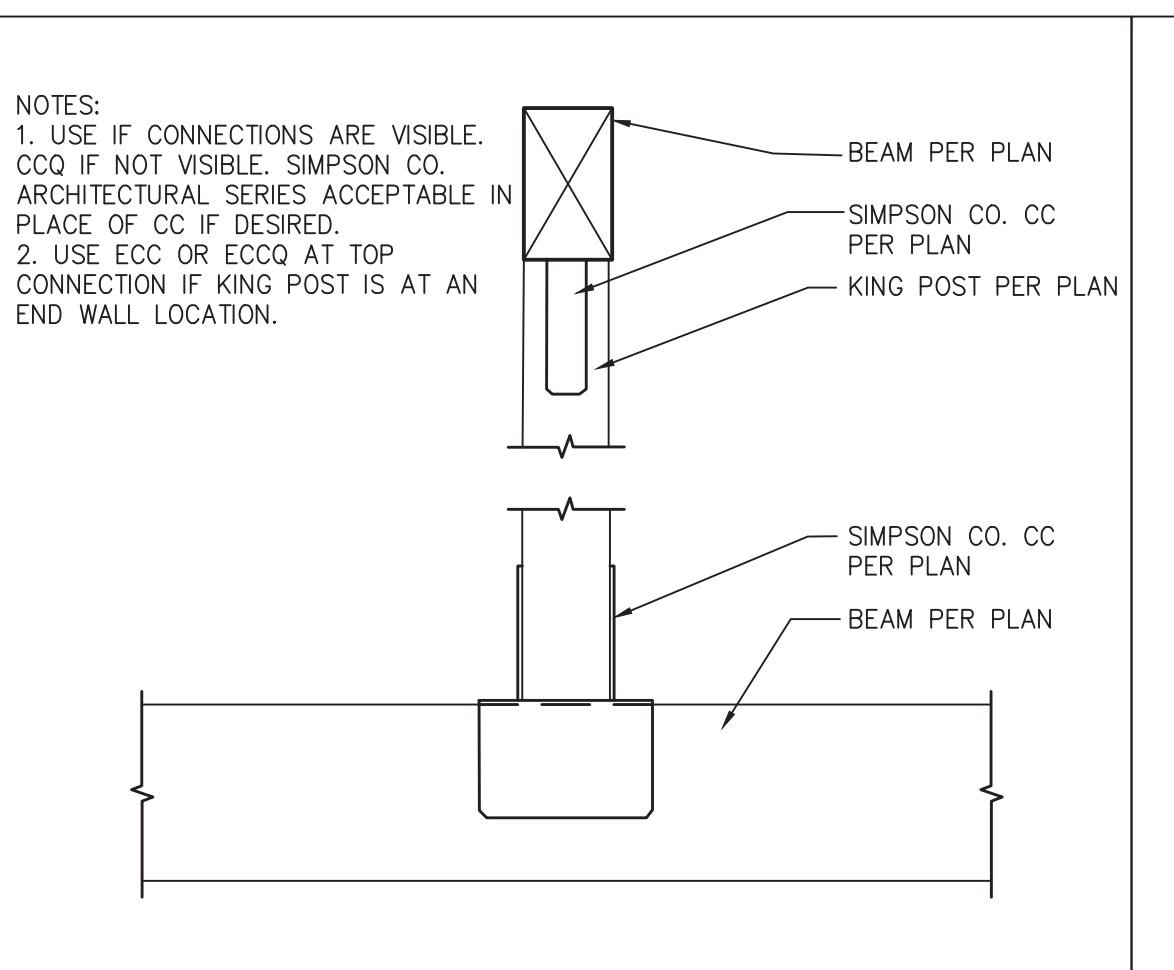




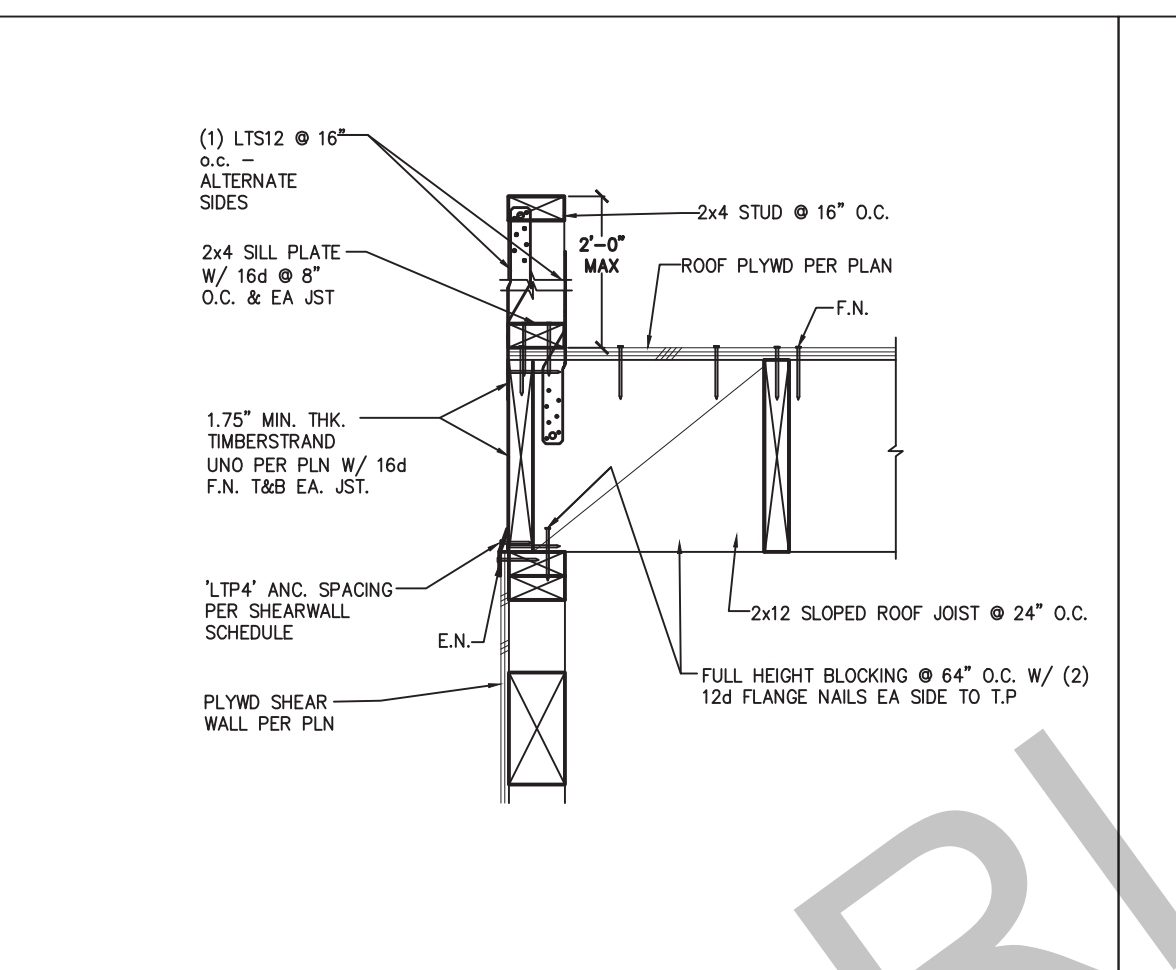
37 INTERIOR BEARING WALL CONNECTION SCALE: 1"=1'-0"



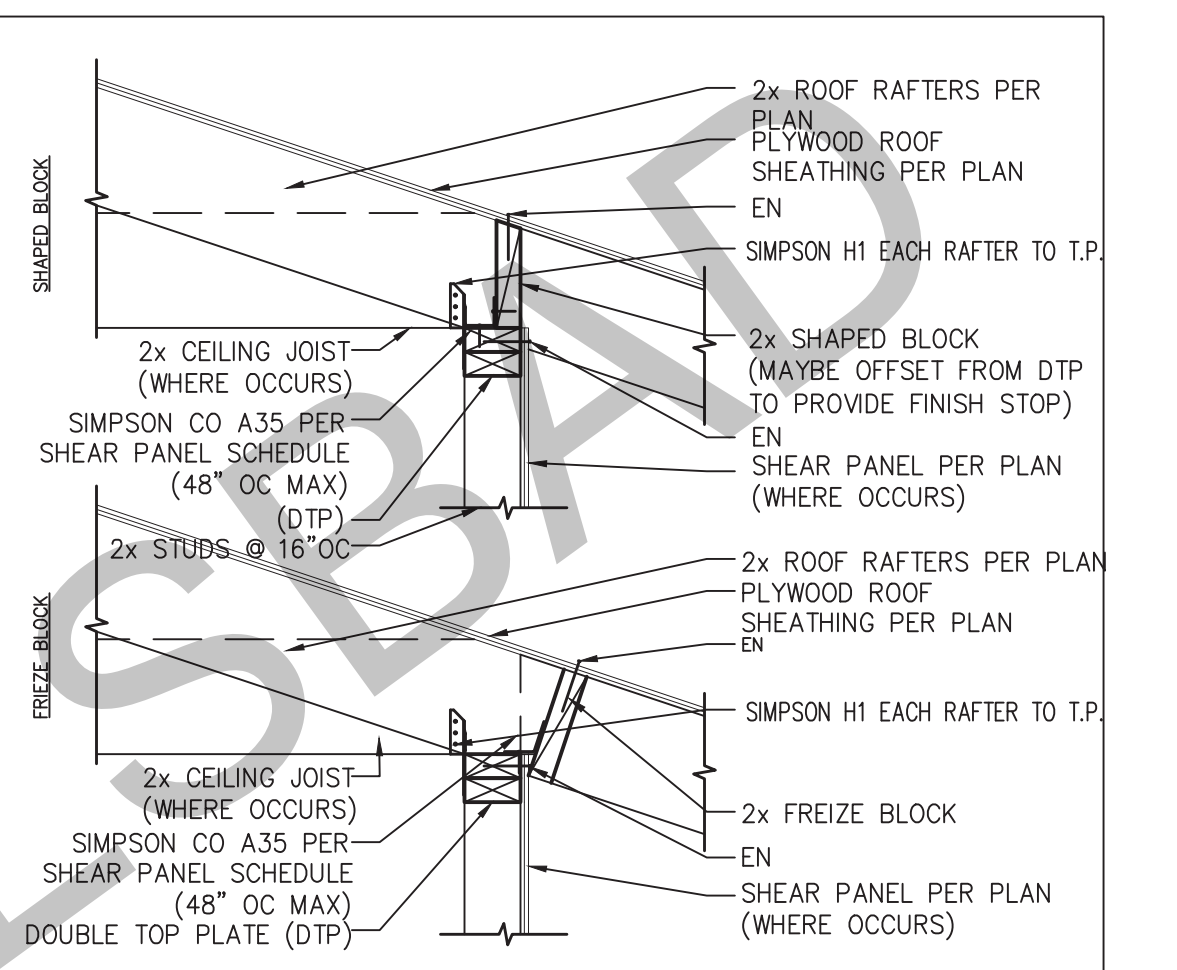
33 TRELLIS BEAM TO STUD WALL SCALE: 1"=1'-0"



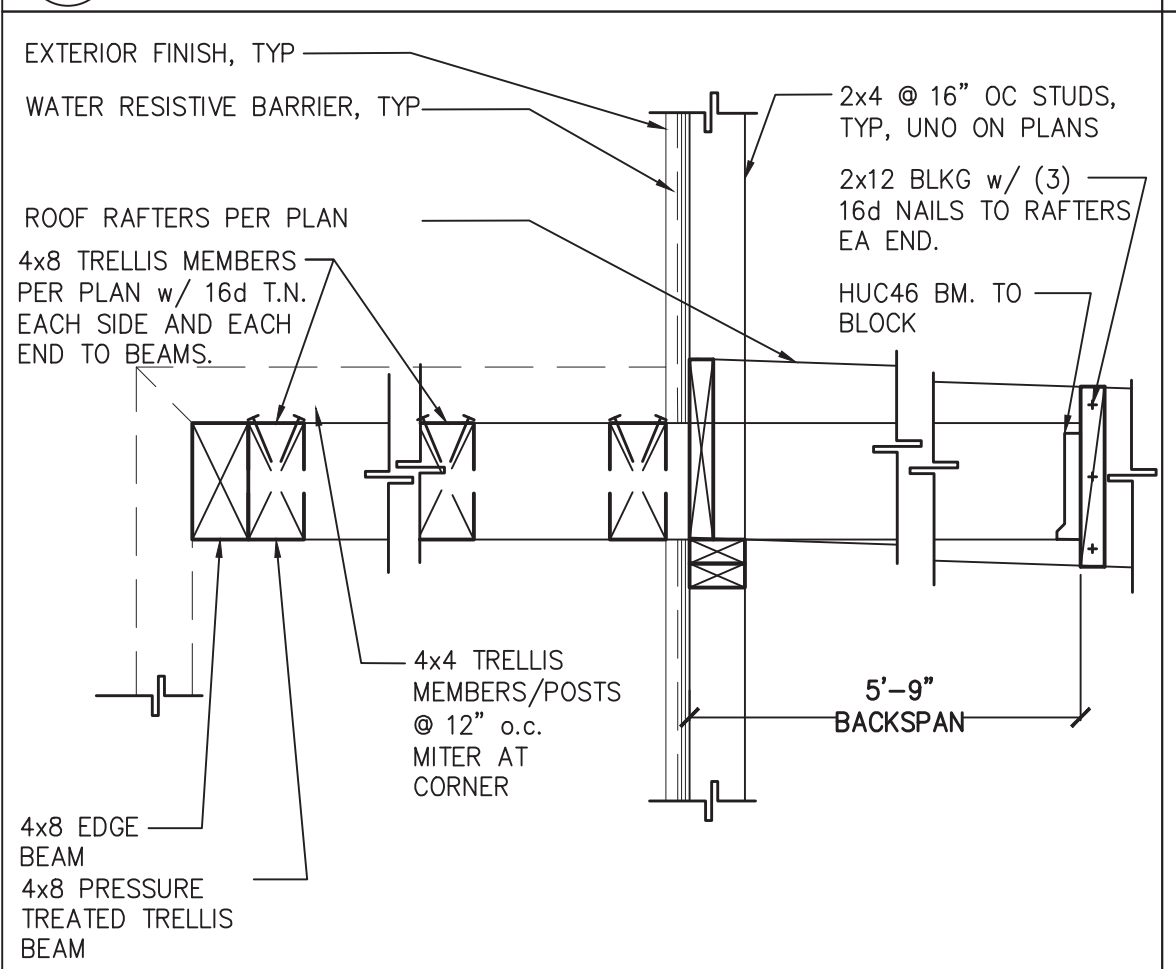
29 KING POST SCALE: 1"=1'-0"



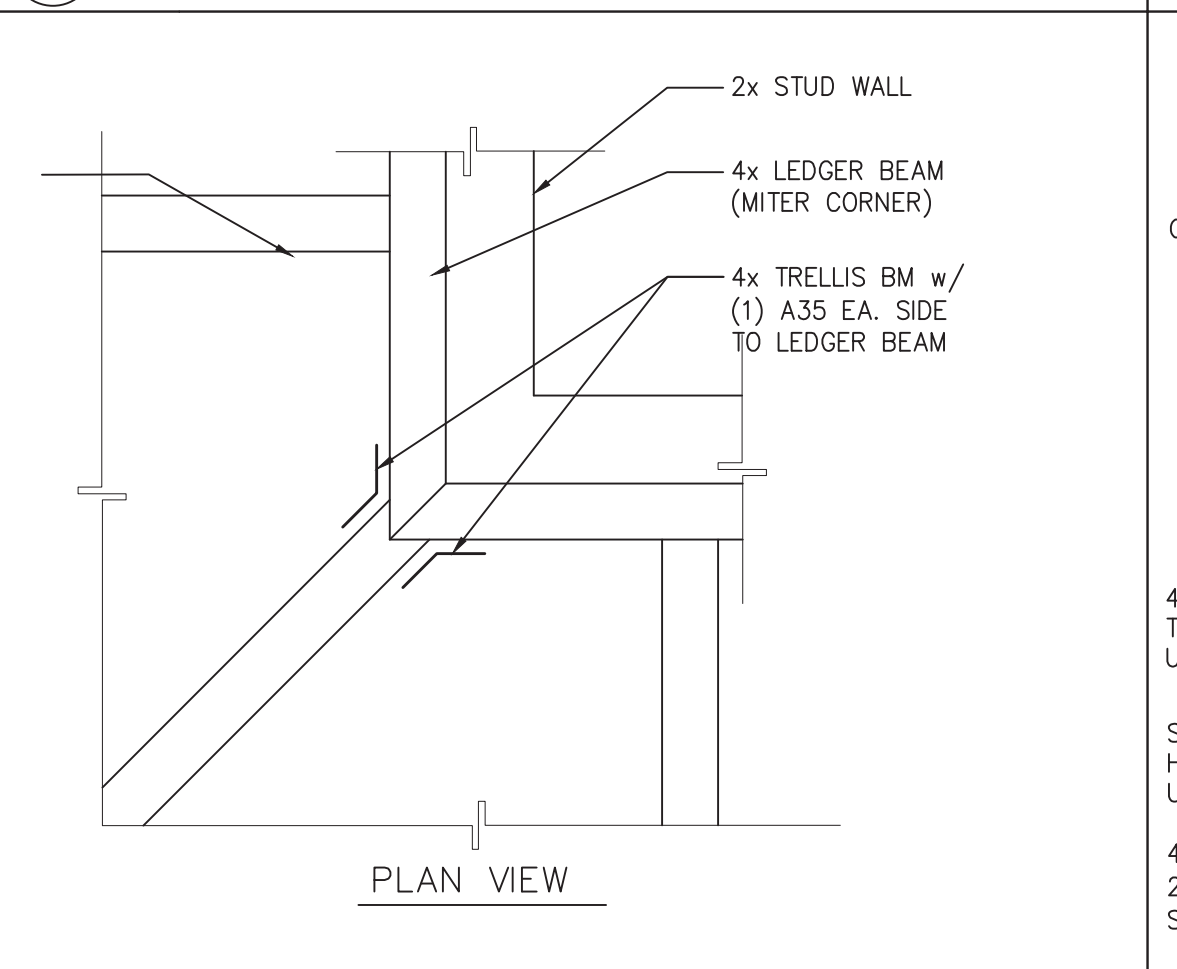
25 ROOF JST // TO EXT WALL SCALE: 1"=1'-0"



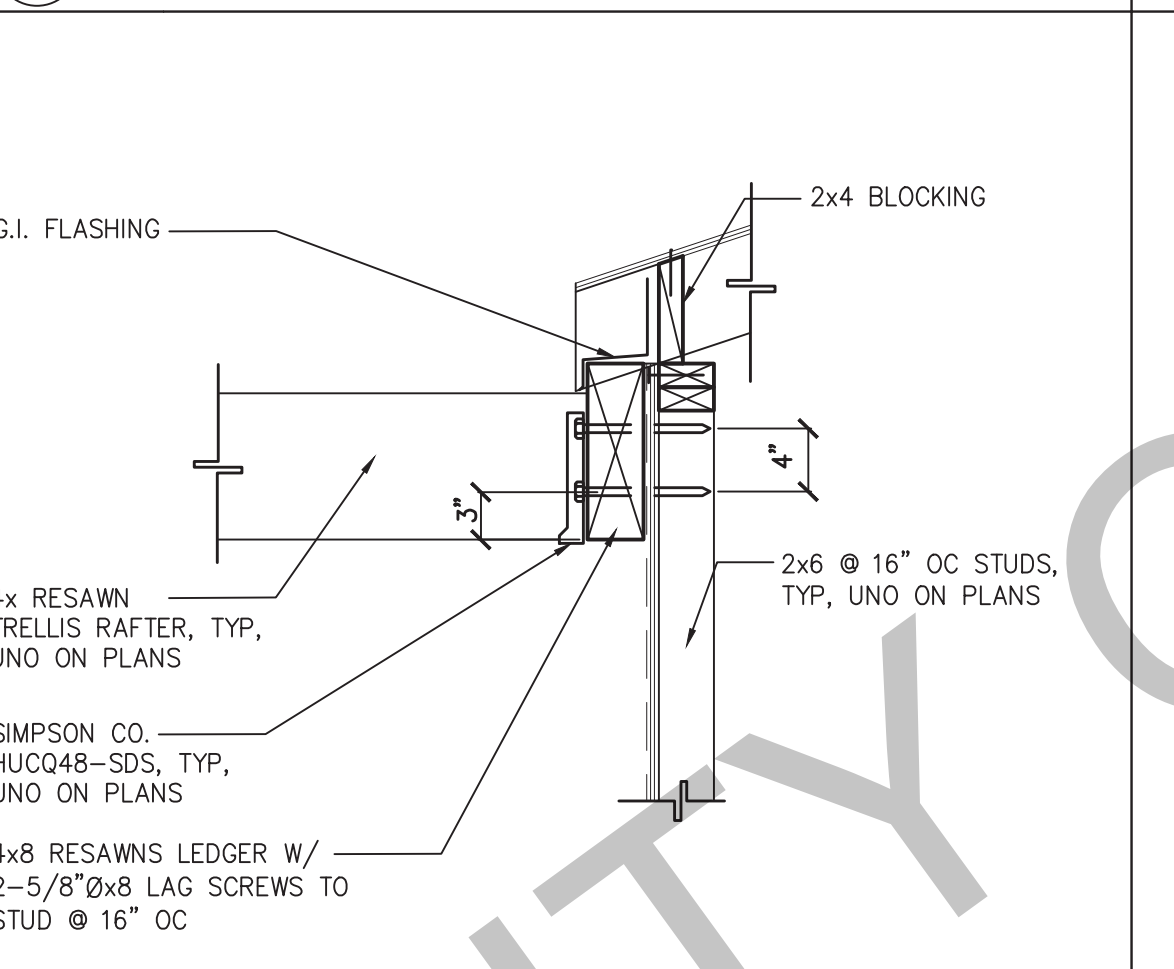
21 SHEAR TRANSFER AT EAVE SCALE: 1"=1'-0"



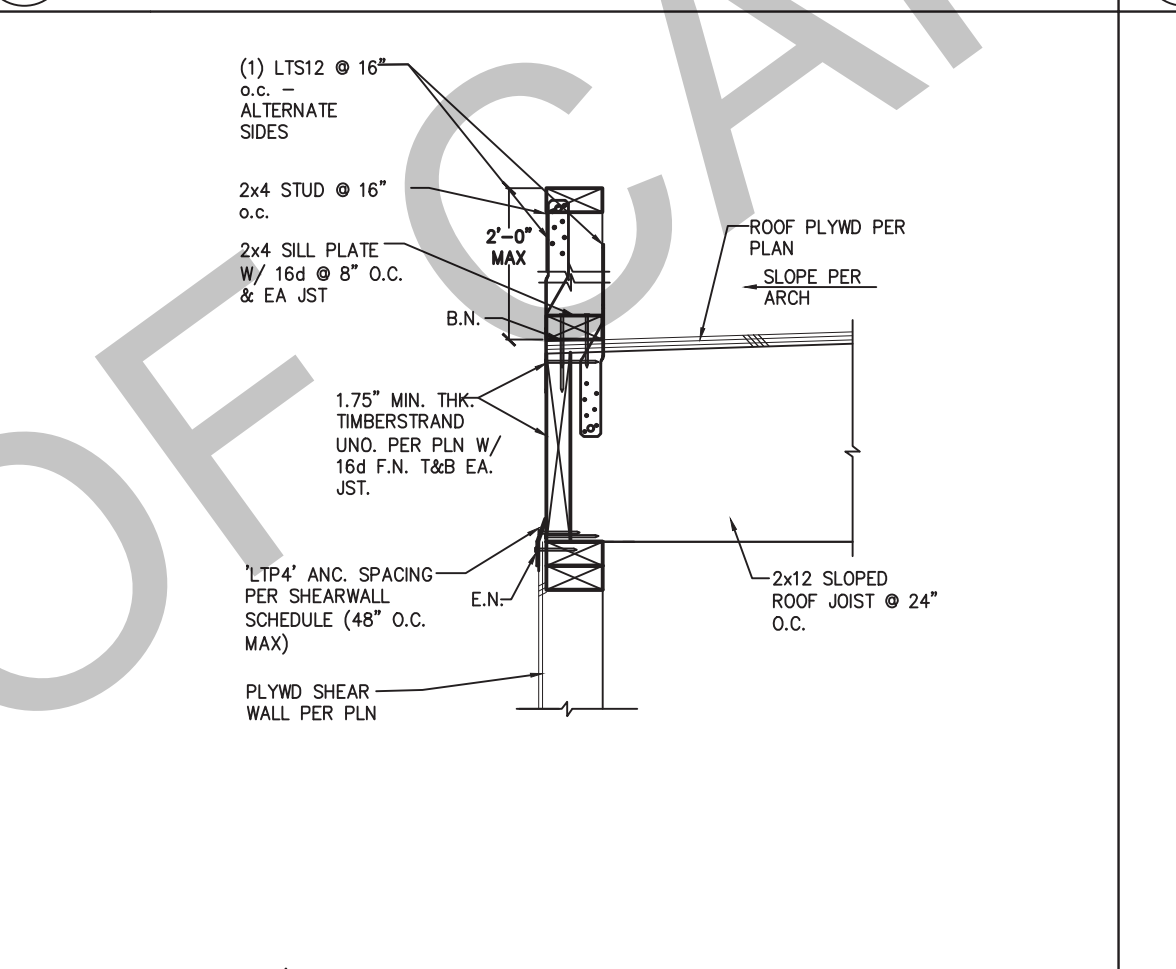
38 CANTILEVER TRELLIS CONNECTION AT CONTEMPORARY SCALE: 1"=1'-0"



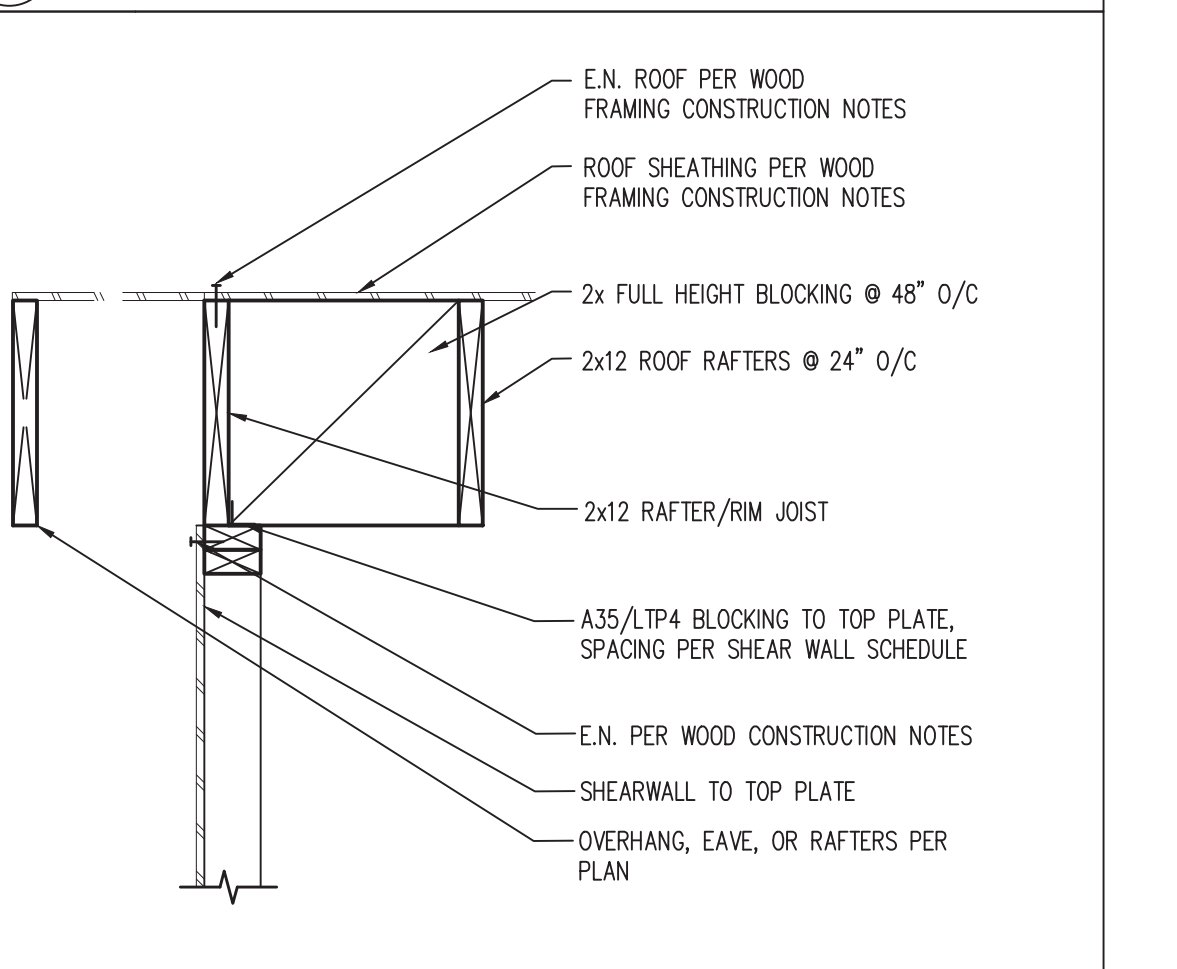
34 TRELLIS BEAM AT LEDGER CORNER SCALE: 1"=1'-0"



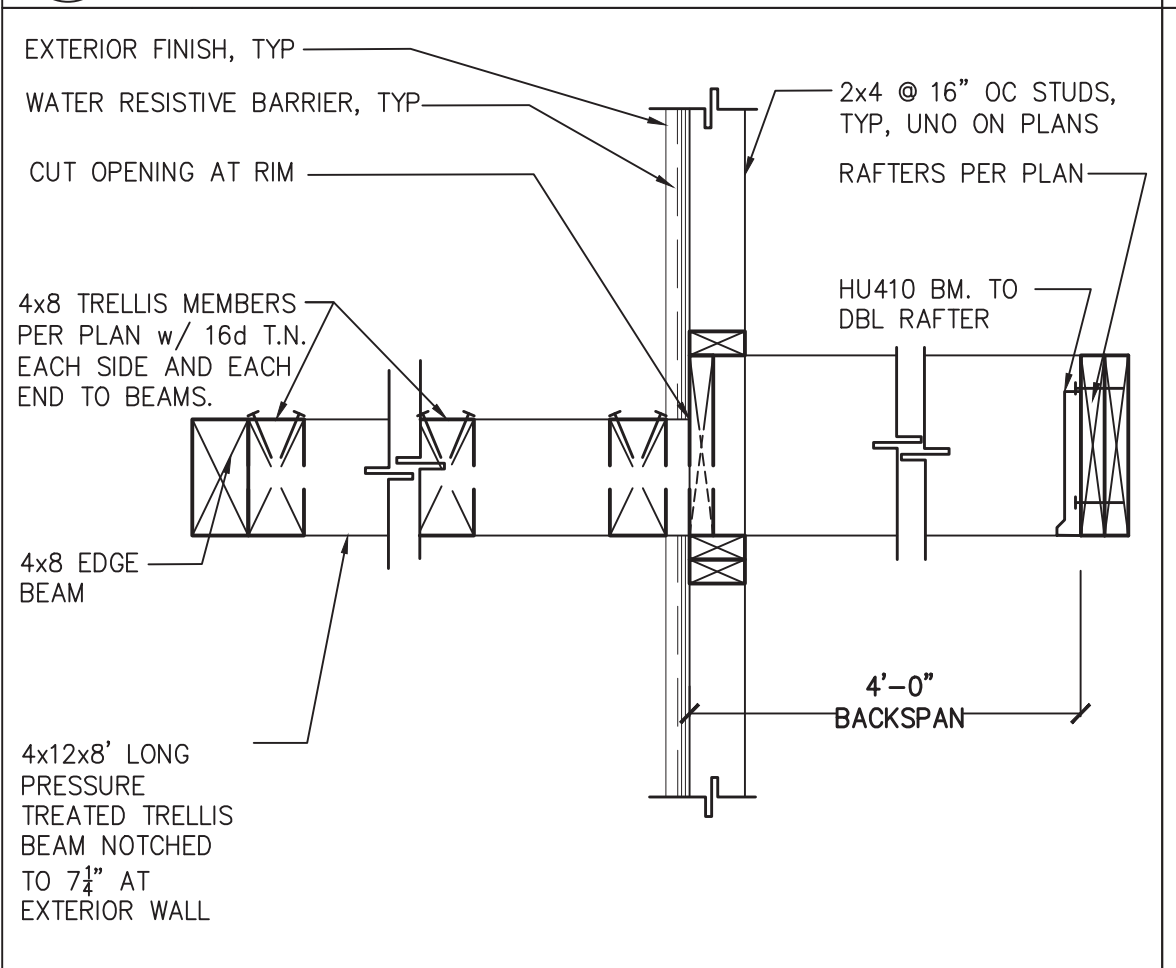
30 TRELLIS LEDGER AT WALL SCALE: 1"=1'-0"



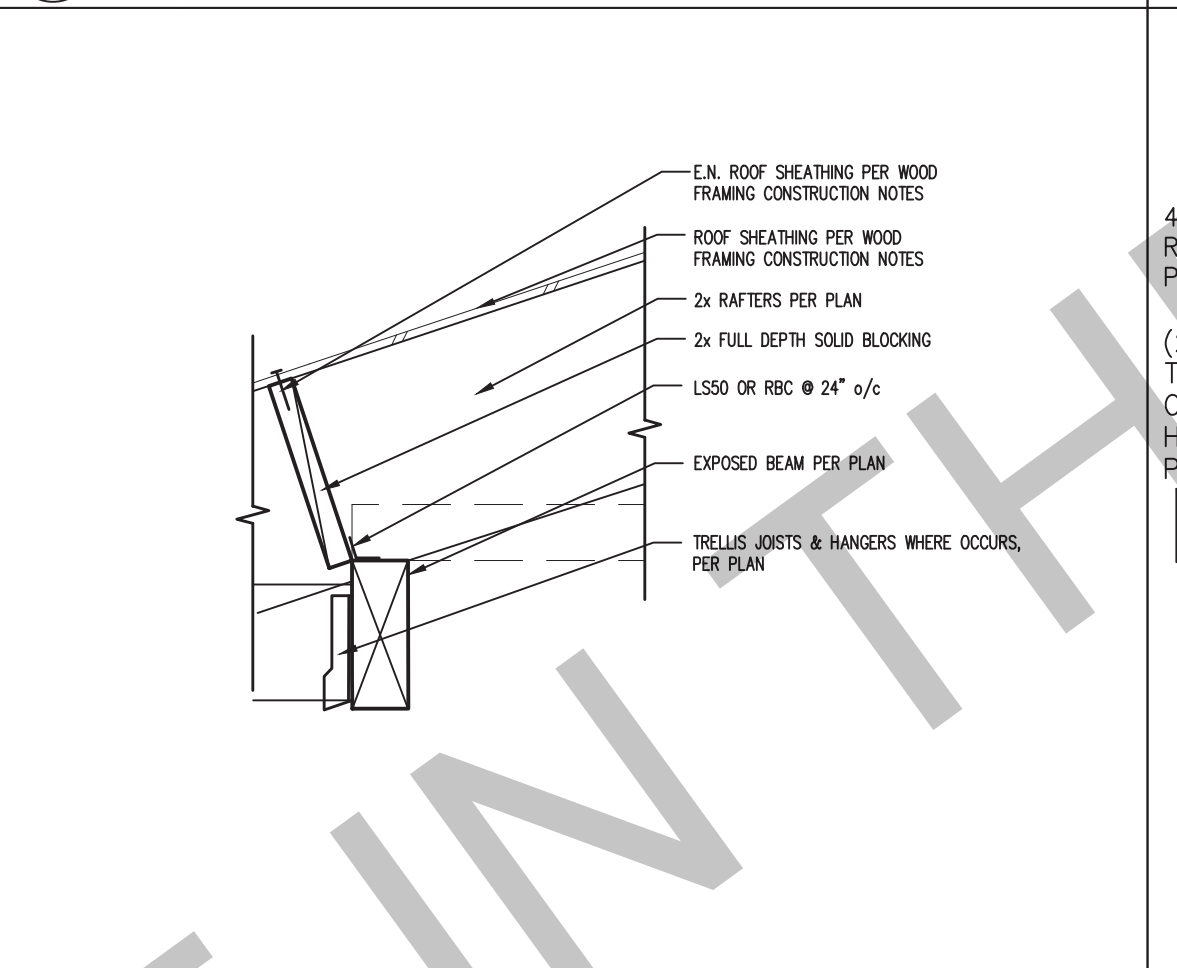
26 ROOF JST ⊥ TO EXT WALL (HIGH PARAPET) SCALE: 1"=1'-0"



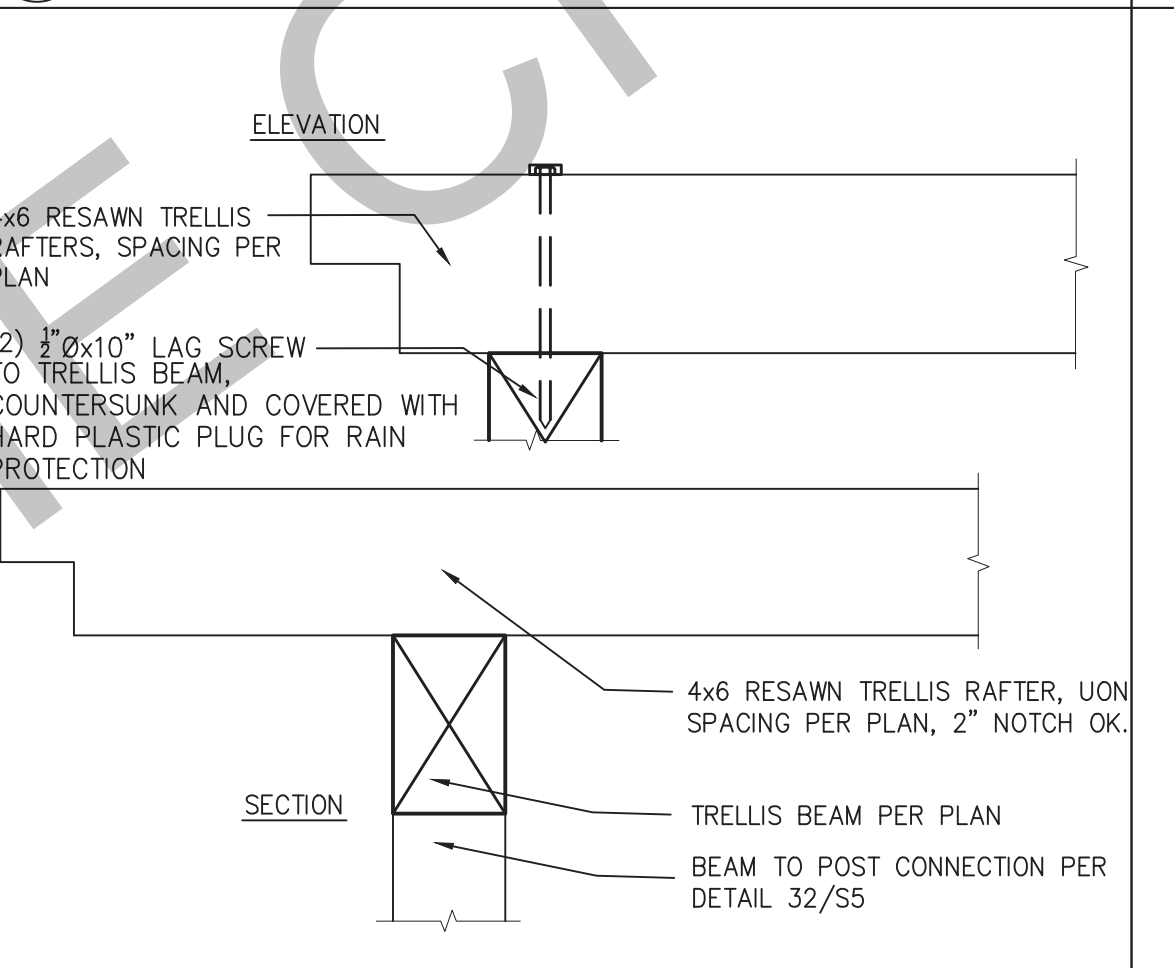
22 PARALLEL RAFTERS AT SHEAR WALL SCALE: 1"=1'-0"



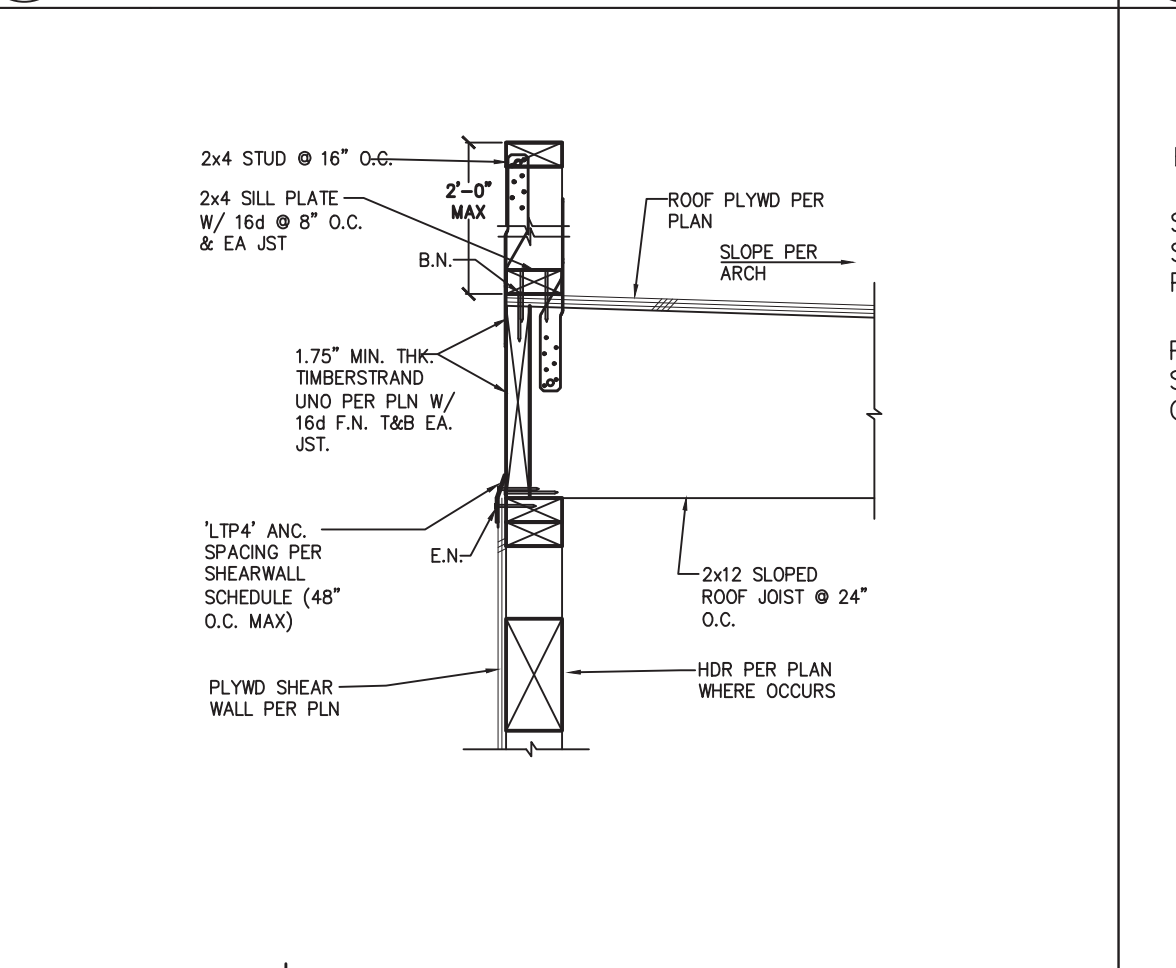
39 CANTILEVER TRELLIS CONNECTION AT CONTEMPORARY SCALE: 1"=1'-0"



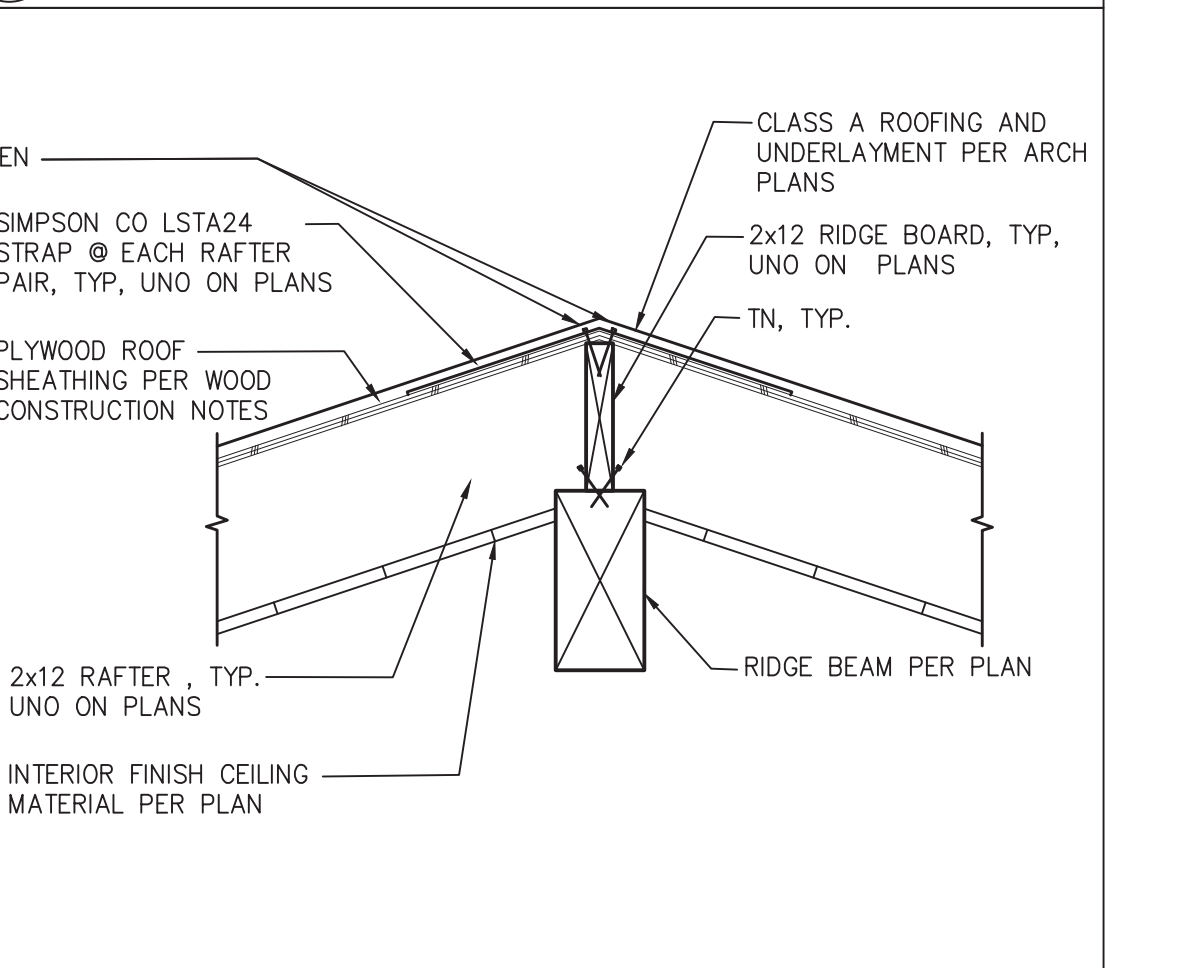
35 RAFTERS @ EXPOSED BEAM SCALE: 1"=1'-0"



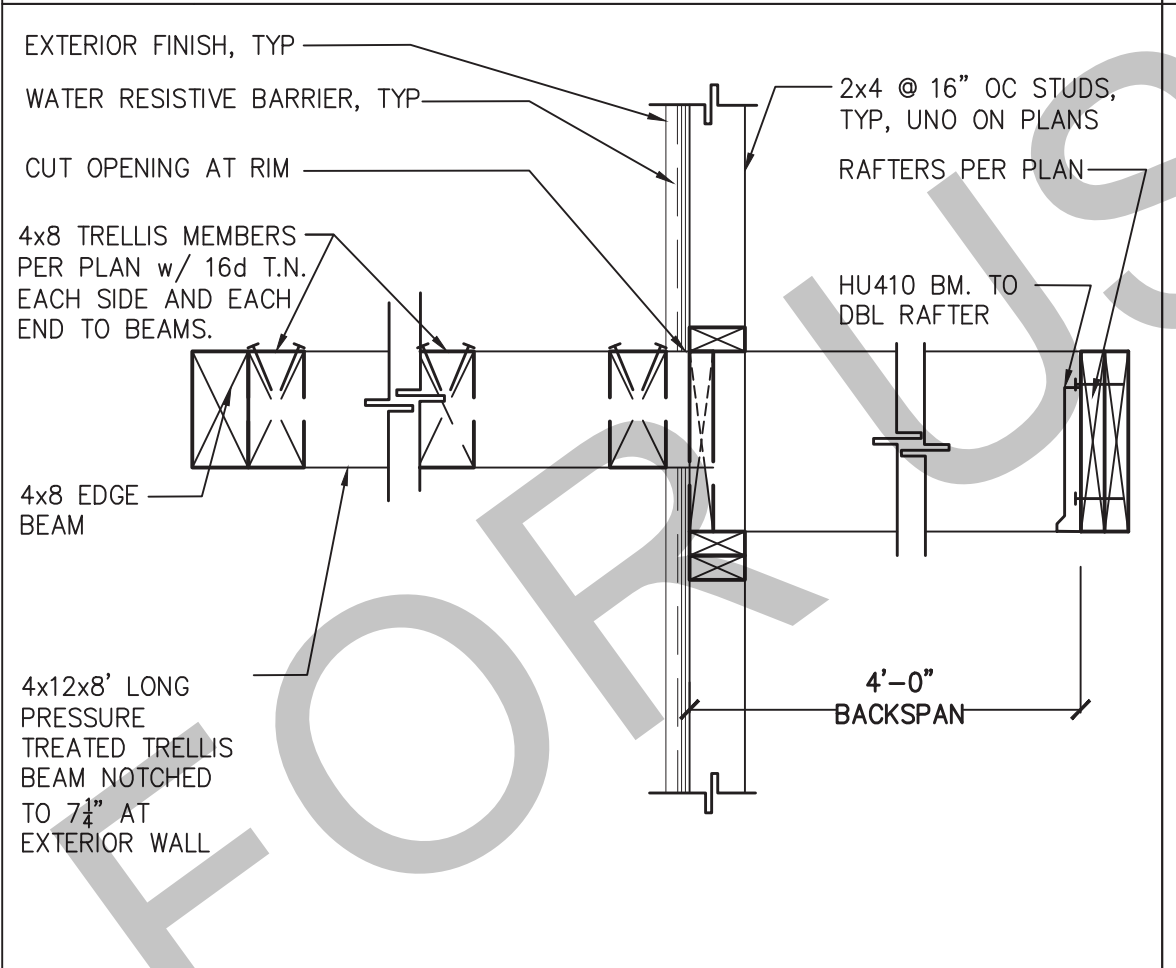
31 POST/BEAM/RAFTER/TRELLIS CONNECTIONS SCALE: 1"=1'-0"



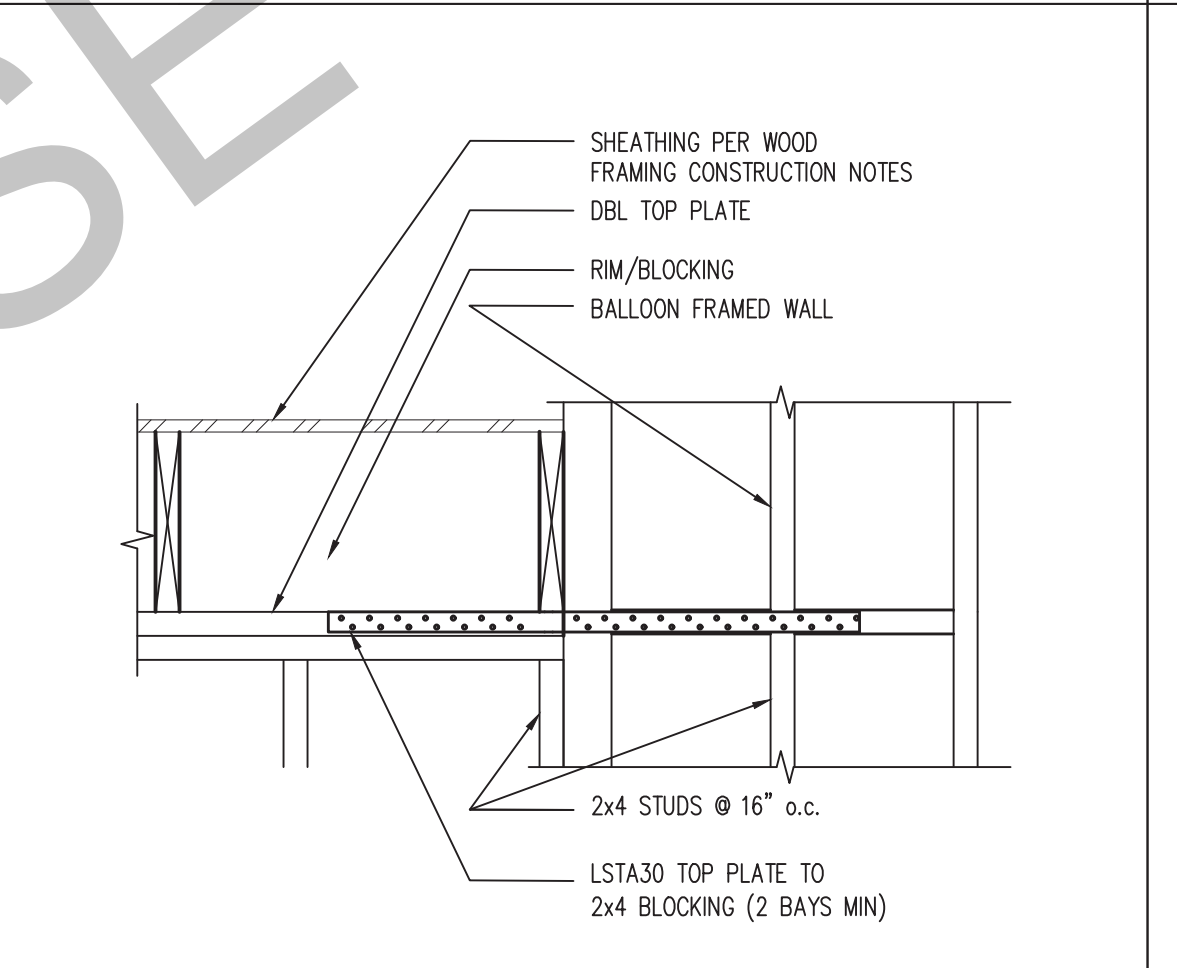
27 ROOF JST ⊥ TO EXT WALL (LOW PARAPET) SCALE: 1"=1'-0"



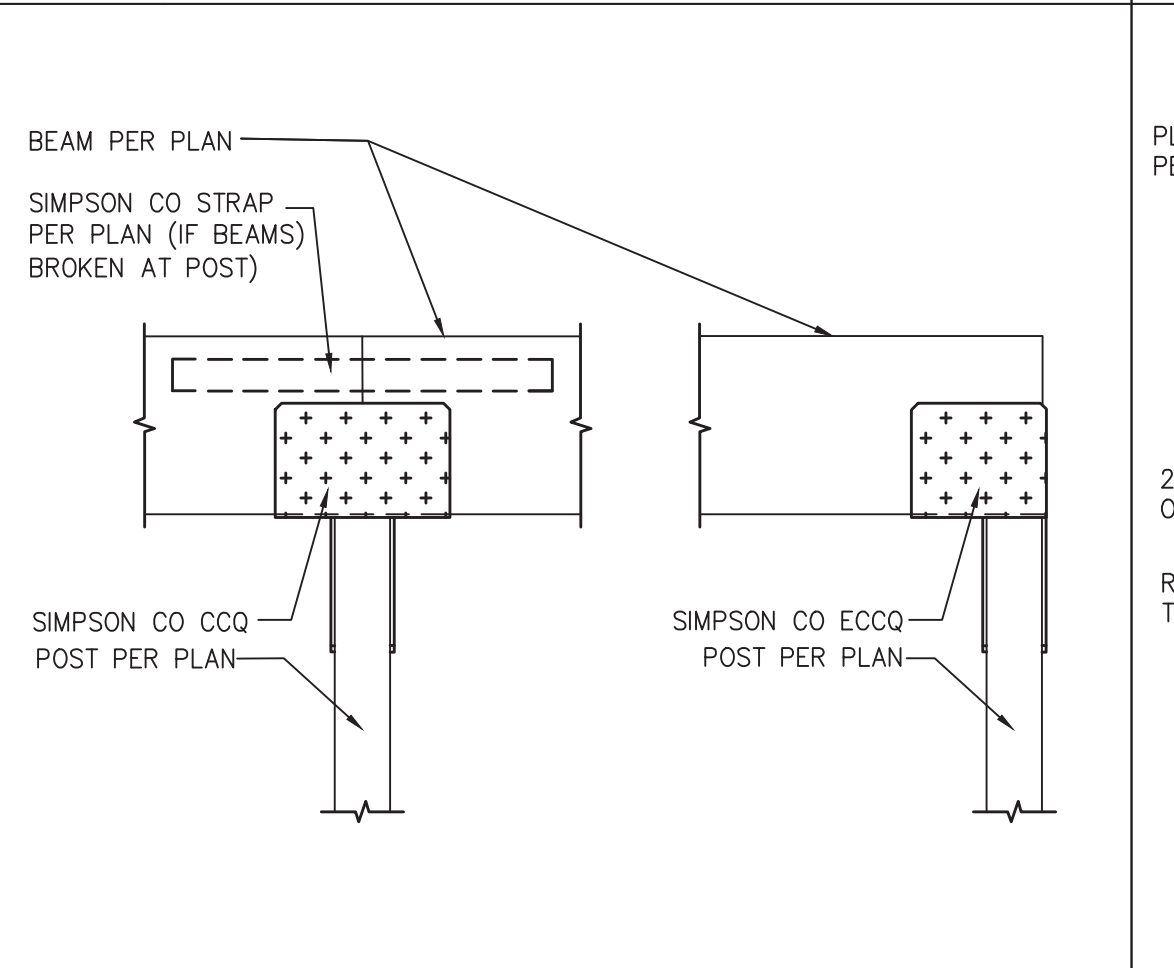
23 RAFTER AT RIDGE BOARD OVER RIDGE BEAM SCALE: 1"=1'-0"



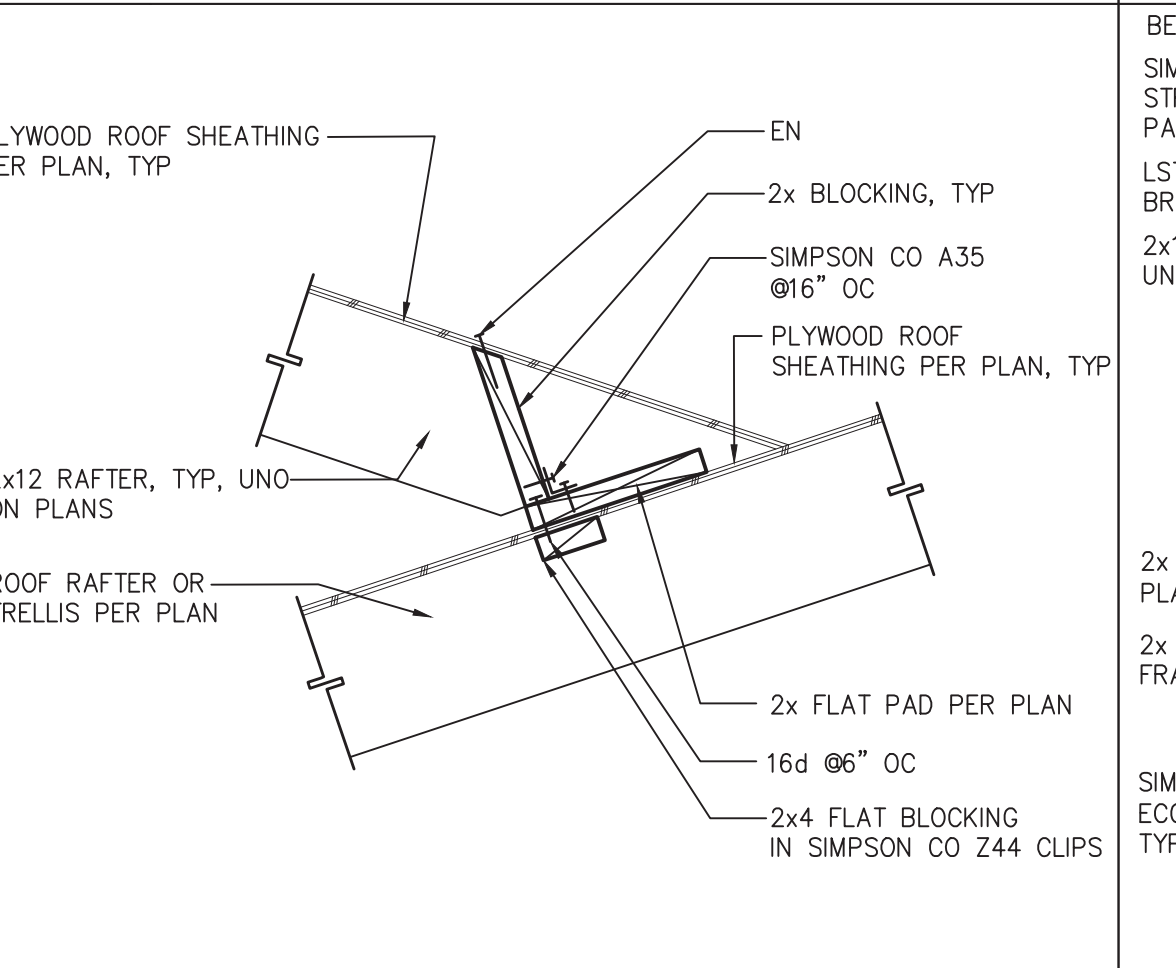
40 CANTILEVER TRELLIS CONNECTION AT CONTEMPORARY SCALE: 1"=1'-0"



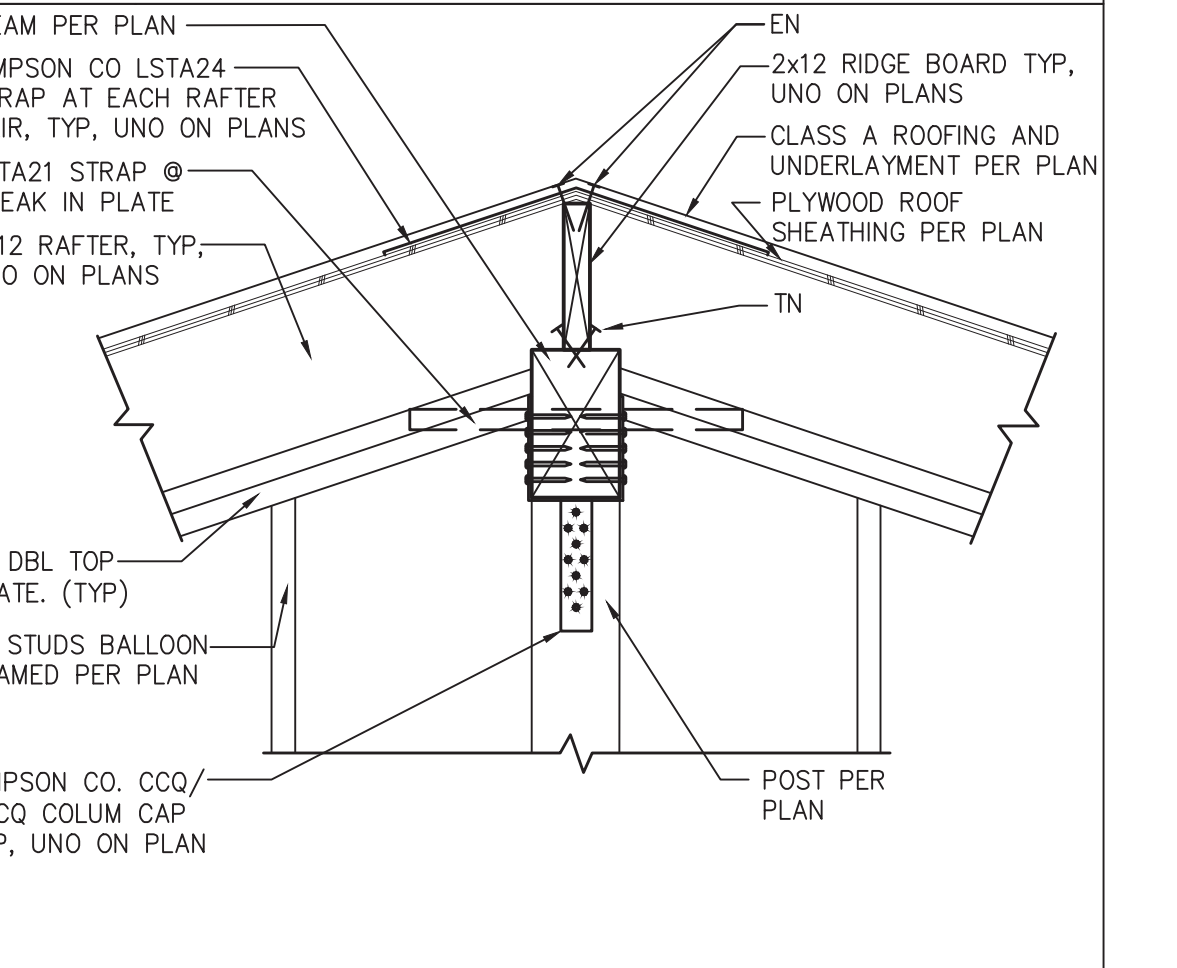
36 STRAP AT TOP PLATE SPLICE SCALE: 1"=1'-0"



32 POST TO BEAM WITH CCQ/ECCO SCALE: 1"=1'-0"



28 CALIFORNIA ROOF FILL CONNECTION SCALE: 1"=1'-0"



24 RIDGE BOARD & BEAM AT WALL POST W/ HARDWARE SCALE: 1"=1'-0"

BY USING THESE PERMIT READY CONSTRUCTION DOCUMENTS, THE RECIPIENT ACKNOWLEDGES, ACCEPTS AND VOLUNTARILY AFFIRMS THE FOLLOWING CONDITIONS:  
1. THE USE OF THIS INFORMATION IS RESTRICTED TO THE ORIGINAL PROJECT FOR WHICH IT WAS PREPARED FOR THE PERMIT READY ACCESSORY DWELLING UNIT (ADU) PROGRAM FOR THE CITY OF CARLSBAD ONLY. THIS IS A LIMITED SET OF STANDARDIZED ADU PLANS AND SPECIFICATIONS APPROVED BY THE CITY OF CARLSBAD BUILDING DEPARTMENT. BUILDING CODES DO CHANGE OVER TIME AND RECIPIENT SHALL ENSURE FULL COMPLIANCE UNDER ALL CODES THEN IN EFFECT AT THE TIME OF THE SUBJECT PERMIT. THIS DOES NOT ELIMINATE OR REDUCE THE RECIPIENT'S RESPONSIBILITY TO VERIFY ANY AND ALL INFORMATION RELEVANT TO THE RECIPIENT'S WORK AND RESPONSIBILITY ON THIS PROJECT. DESIGN PATH STUDIO SHALL NOT BE RESPONSIBLE FOR TRANSLATION ERRORS. DO NOT USE THESE CONSTRUCTION DOCUMENTS IF THE PERMIT HAS EXPIRED OR IS REVOKED AT ALL.  
2. THE RECIPIENT RECOGNIZES AND ACKNOWLEDGES THAT THE USE OF THIS INFORMATION WILL BE AT THEIR SOLE RISK AND WITHOUT ANY LIABILITY OR LEGAL EXPOSURE TO DESIGN PATH STUDIO. NO WARRANTIES OF ANY NATURE, WHETHER EXPRESS OR IMPLIED, SHALL ATTACH TO THESE DOCUMENTS AND THE INFORMATION CONTAINED THEREIN. ANY USE, REUSE, OR ALTERATION OF THESE DOCUMENTS BY THE RECIPIENT OR BY OTHERS WILL BE AT THE RECIPIENT'S RISK AND FULL LEGAL RESPONSIBILITY. FURTHERMORE, THE RECIPIENT WILL, TO THE FULLEST EXTENT PERMITTED BY LAW, DEFEND, INDEMNIFY AND HOLD DESIGN PATH STUDIO AND ITS ARCHITECTS HARMLESS FROM ANY AND ALL CLAIMS, SUITS, LIABILITY, DEMANDS, JUDGMENTS, OR COSTS ARISING OUT OF OR RESULTING THERE FROM ANY USE OF THESE CONSTRUCTION DOCUMENTS FOR OR ON ACCOUNT OF ANY INJURY, DEATH, DAMAGE OR LOSS TO PERSONS OR PROPERTY, DIRECT OR CONSEQUENTIAL DAMAGES IN ANY AMOUNT. THIS INDEMNITY DOES NOT APPLY TO THE SOLE NEGLIGENCE OR WILLFUL MISCONDUCT OF DESIGN PATH STUDIO OR ITS ARCHITECTS.  
3. THE DESIGNS REPRESENTED BY THESE PLANS ARE COPYRIGHTED AND ARE SUBJECT TO COPYRIGHT PROTECTION.  
4. IF THE RECIPIENT DOES NOT AGREE WITH THE ABOVE CONDITIONS, DO NOT PROCEED WITH CONSTRUCTION OF AN ADU OR OTHER IMPROVEMENT UNDER THESE PLANS AT ALL.

project  
City of Carlsbad  
Pre-Approved ADU  
Program

revisions  
△  
△  
△  
△  
△

description  
Structural  
Details

date  
05 May 2023

project no.  
2022\_Carlsbad\_ADU

drawn by  
Design Path Studio

sheet no.  
S5





BY USING THESE PERMIT READY CONSTRUCTION DOCUMENTS, THE RECIPIENT ACKNOWLEDGES, ACCEPTS AND VOLUNTARILY AFFIRMS THE FOLLOWING CONDITIONS:

1. THE USE OF THIS INFORMATION IS RESTRICTED TO THE ORIGINAL PROJECT FOR WHICH IT WAS PREPARED FOR THE PERMIT READY ACCESSORY DWELLING UNIT (ADU) PROGRAM FOR THE CITY OF CARLSBAD ONLY. THIS IS A LIMITED SET OF STANDARDIZED ADU PLANS AND SPECIFICATIONS APPROVED BY THE CITY OF CARLSBAD BUILDING DEPARTMENT. BUILDING CODES DO CHANGE OVER TIME AND RECIPIENT SHALL ENSURE FULL COMPLIANCE UNDER ALL CODES THEN IN EFFECT AT THE TIME OF THE SUBJECT PERMIT. THIS DOES NOT ELIMINATE OR REDUCE THE RECIPIENT'S RESPONSIBILITY TO VERIFY ANY AND ALL INFORMATION RELEVANT TO THE RECIPIENT'S WORK AND RESPONSIBILITY ON THIS PROJECT. DESIGN PATH STUDIO SHALL NOT BE RESPONSIBLE FOR TRANSLATION ERRORS. DO NOT USE THESE CONSTRUCTION DOCUMENTS IF THE PERMIT HAS EXPIRED OR IS REVOKED AT ALL.
2. THE RECIPIENT RECOGNIZES AND ACKNOWLEDGES THAT THE USE OF THIS INFORMATION WILL BE AT THEIR SOLE RISK AND WITHOUT ANY LIABILITY OR LEGAL EXPOSURE TO DESIGN PATH STUDIO. NO WARRANTIES OF ANY NATURE, WHETHER EXPRESS OR IMPLIED, SHALL ATTACH TO THESE DOCUMENTS AND THE INFORMATION CONTAINED THEREON. ANY USE, REUSE, OR ALTERATION OF THESE DOCUMENTS BY THE RECIPIENT OR BY OTHERS WILL BE AT THE RECIPIENT'S RISK AND FULL LEGAL RESPONSIBILITY. FURTHERMORE, THE RECIPIENT WILL, TO THE FULLEST EXTENT PERMITTED BY LAW, DEFEND, INDEMNIFY AND HOLD DESIGN PATH STUDIO AND ITS ARCHITECTS HARMLESS FROM ANY AND ALL CLAIMS, SUITS, LIABILITY, DEMANDS, JUDGMENTS, OR COSTS ARISING OUT OF OR RESULTING THERE FROM ANY USE OF THESE CONSTRUCTION DOCUMENTS FOR OR ON ACCOUNT OF ANY INJURY, DEATH, DAMAGE OR LOSS TO PERSONS OR PROPERTY, DIRECT OR CONSEQUENTIAL DAMAGES IN ANY AMOUNT. THIS INDEMNITY DOES NOT APPLY TO THE SOLE NEGLIGENCE OR WILLFUL MISCONDUCT OF DESIGN PATH STUDIO OR ITS ARCHITECTS.
3. THE DESIGNS REPRESENTED BY THESE PLANS ARE COPYRIGHTED AND ARE SUBJECT TO COPYRIGHT PROTECTION.
4. IF THE RECIPIENT DOES NOT AGREE WITH THE ABOVE CONDITIONS, DO NOT PROCEED WITH CONSTRUCTION OF AN ADU OR OTHER IMPROVEMENT UNDER THESE PLANS AT ALL.

project  
 City of Carlsbad  
 Pre-Approved ADU  
 Program

revisions  
 ▲  
 ▲  
 ▲  
 ▲  
 ▲

description  
 Structural  
 Details

date 05 May 2023  
 project no. 2022\_Carlsbad\_ADU  
 drawn by Design Path Studio  
 sheet no.



BUILDING ENERGY ANALYSIS REPORT	
<b>PROJECT:</b> City of Carlsbad - Pre-Approved ADU Program Carlsbad, CA	
<b>Project Designer:</b> Design Path Studio Encinitas, CA 92024	
<b>Report Prepared by:</b> Design Path Studio Encinitas, CA 92024	
<b>Job Number:</b>  <b>Date:</b> 2/14/2023	
<small>The EnergyPro computer program has been used to perform the calculations summarized in this compliance report. This program has approval and is authorized by the California Energy Commission for use with both the Residential and Nonresidential 2019 Building Energy Efficiency Standards. This program developed by EnergySoft Software - www.energysoft.com</small>	

**TITLE 24 COMPLIANCE REQUIREMENTS SUMMARY**  
**CARLSBAD ADU - STUDIO**  
**Ceiling Insulation** = R-30 min. at rafters  
**Radiant Barrier** - No  
**Roofing** - see owner - No Cool Roof Req'd  
**Wall Insulation** = R-15 at new 2 x 4 walls  
**Floor Insulation** - NA  
**Thermal Mass Areas** = Exposed Slab Flooring  
**Oil** - Yes/No HERS rate early before drywall. Airtight insulation contractor.  
**SOLAR** - YES - 1.4 kWdc is the min PV required to meet the standard design  
**Glazing** = All new windows & doors are dual glazing. All glass is clear. Glazing shall be installed with a NFRC certifying label attached showing U-factor.  
**Solar Heat Gain Co-efficient** = 0.23 windows, doors.  
**U-Factor** = 0.30 windows, doors.  
**SEER** - 14.0 min. (new HERS REQUIRED).  
**Hot Water Heater** = 40-gal heat pump RHEM PROPANOTZRH3530 or eq. Uniform Energy Factor ≥ 1 min. HERS RATED. HERS VERIFIED.  
**IAQ FAN** - 26 cfm & 0.35 cfm power. Verify w/ Mech. (continuous ventilation per ASHRAE 62.2 is req'd for IAQ) HERS VERIFIED. Note IAQ fan on plan w/ timer switch w/ manual off & sound rating of 1 sone.  
**HSPF** - 8.2 min. (New min-spf)  
**SEER** - 14.0 min. (new HERS REQUIRED).  
**REFRIGERANT CHARGE**: AIRFLOW IN HABITABLE ROOMS (SC3.1.4.1.7), VERIFIED HEAT PUMP RATED HEATING CAPACITY, WALL-MOUNTED THERMOSTAT IN ZONES GREATER THAN 150 S.F. (SC3.4.5) AND DUCTLESS INDOOR UNITS ARE LOCATED ENTIRELY IN CONDITIONED SPACE (SC3.1.4.1.8).  
**Duct Insulation** = none  
**Duct (HERS) % Leakage Test** - NO  
**Water Saving**  
 Total Sanitary Heating Load = 3,855 Btu  
 FUITSU #ADU12R2 or eq. - 12,800 Btu  
**A/C Sizing**  
 Total Sanitary cooling load = 4,218Btu - 1 ton  
**WHOLE HOUSE ATTIC COOLING FAN** - NFR for compliance  
 \*These load calculations, sizing & equipment are for Title 24 purposes & should be verified HVAC by a Mechanical Engineer/Contractor.  
 Owner may install any Make & Model HVAC equipment that is equal or greater than the min. efficiencies listed above. All equipment is listed "for eq" ALL LIGHTING TO BE HIGH EFFICACY - SEE MFR FOR SWITCHING & NOTES. LOCAL EXHAUST FAN RATES BATH = 50 CFM, KITCHEN = 100 CFM, < 3 zones & listed on CEC directory. HERS VERIFIED.  
**SONE RATING = 1 FOR CONTINUOUS FAN AND 3 FOR INTERMITTENT FAN.**

**CERTIFICATE OF COMPLIANCE - RESIDENTIAL PERFORMANCE COMPLIANCE METHOD**  
 Project Name: Residential Building  
 Calculation Date/Time: 2023-02-14T09:49:29-08:00  
 Input File Name: 0 Studio.rbd22x  
 CF1R-PRF-01-E (Page 1 of 11)

GENERAL INFORMATION	
01	Project Name: Residential Building
02	Run Title: Title 24 Analysis
03	Project Location:
04	City: Carlsbad
05	Standards Version: 2022
06	Zip code: 92008
07	Software Version: EnergyPro 9.0
08	Climate Zone: 7
09	Front Orientation (deg / Cardinal): All orientations
10	Building Type: Single family
11	Number of Dwelling Units: 1
12	Project Scope: Newly Constructed
13	Number of Bedrooms: 0
14	Addition Cond. Floor Area (ft²): 0
15	Number of Stories: 1
16	Existing Cond. Floor Area (ft²): N/A
17	Fenestration Average U-factor: 0.3
18	Total Cond. Floor Area (ft²): 384.64
19	Glazing Percentage (%): 28.90%
20	ADU Bedroom Count: n/a

COMPLIANCE RESULTS	
01	Building Complies with Computer Performance
02	This building incorporates features that require field testing and/or verification by a certified HERS rater under the supervision of a CEC-approved HERS provider.
03	This building incorporates one or more Special Features shown below

Registration Number: 223-P01018233A-000-000-0000000-0000  
 Registration Date/Time: 2023-02-14 10:23:24  
 CA Building Energy Efficiency Standards - 2022 Residential Compliance  
 Report Version: 2022.0.000  
 Schema Version: rev 20220901  
 HERS Provider: CaCERTS, Inc.  
 Report Generated: 2023-02-14 09:50:15

**CERTIFICATE OF COMPLIANCE - RESIDENTIAL PERFORMANCE COMPLIANCE METHOD**  
 Project Name: Residential Building  
 Calculation Date/Time: 2023-02-14T09:49:29-08:00  
 Input File Name: 0 Studio.rbd22x  
 CF1R-PRF-01-E (Page 4 of 11)

ENERGY USE SUMMARY						
Energy Use	Standard Design Source Energy (EDR1) (kBtu/ft²-yr)	Standard Design TDV Energy (EDR2) (kTOD/ft²-yr)	Proposed Design Source Energy (EDR1) (kBtu/ft²-yr)	Proposed Design TDV Energy (EDR2) (kTOD/ft²-yr)	Compliance Margin (EDR1)	Compliance Margin (EDR2)
Space Heating	0	0	0.59	4.32	-0.59	-4.32
Space Cooling	1.43	27.93	0.39	10.03	1.04	17.9
IAQ Ventilation	0.53	5.69	0.53	5.69	0	0
Water Heating	3.97	46.68	3.11	34.63	0.86	12.05
Self Utilization/Flexibility Credit			0	0		0
<b>South Facing Efficiency Compliance Total</b>	<b>5.93</b>	<b>80.3</b>	<b>4.62</b>	<b>54.67</b>	<b>1.31</b>	<b>25.63</b>
Space Heating	0	0	0.82	6.22	-0.82	-6.22
Space Cooling	1.43	27.93	0.31	8.1	1.12	19.83
IAQ Ventilation	0.53	5.69	0.53	5.69	0	0
Water Heating	3.97	46.68	3.12	34.78	0.85	11.9
Self Utilization/Flexibility Credit			0	0		0
<b>West Facing Efficiency Compliance Total</b>	<b>5.93</b>	<b>80.3</b>	<b>4.78</b>	<b>54.79</b>	<b>1.15</b>	<b>25.51</b>

Registration Number: 223-P01018233A-000-000-0000000-0000  
 Registration Date/Time: 2023-02-14 10:23:24  
 CA Building Energy Efficiency Standards - 2022 Residential Compliance  
 Report Version: 2022.0.000  
 Schema Version: rev 20220901  
 HERS Provider: CaCERTS, Inc.  
 Report Generated: 2023-02-14 09:50:15

**CERTIFICATE OF COMPLIANCE - RESIDENTIAL PERFORMANCE COMPLIANCE METHOD**  
 Project Name: Residential Building  
 Calculation Date/Time: 2023-02-14T09:49:29-08:00  
 Input File Name: 0 Studio.rbd22x  
 CF1R-PRF-01-E (Page 7 of 11)

ZONE INFORMATION						
Zone Name	Zone Type	HVAC System Name	Zone Floor Area (ft²)	Avg. Ceiling Height	Water Heating System 1	Status
Zone 1	Conditioned	Ductless Minisplit1	384.64	8	DHW Sys 1	New

OPAQUE SURFACES							
01	02	03	04	05	06	07	08
Name	Zone	Construction	Area (ft²)	Orientation	Gross Area (ft²)	Window and Door Area (ft²)	Tilt (deg)
Front Wall	Zone 1	R-15 Wall	0	Front	130	44	90
Left Wall	Zone 1	R-15 Wall	90	Left	189.36	40	90
Rear Wall	Zone 1	R-15 Wall	180	Back	130	10	90
Right Wall	Zone 1	R-15 Wall	270	Right	189.36	17	90

OPAQUE SURFACES - CATHEDRAL CEILINGS										
01	02	03	04	05	06	07	08	09	10	11
Name	Zone	Construction	Area (ft²)	Orientation	Area (ft²)	Skylight Area (ft²)	Roof Rise (ft in 12)	Roof Reflectance	Roof Emittance	Cool Roof
Roof	Zone 1	R-30 Roof No Attic	0	Front	384.64	0	4	0.1	0.85	No

FENESTRATION / GLAZING													
01	02	03	04	05	06	07	08	09	10	11	12	13	14
Name	Type	Surface	Orientation	Area (ft²)	U-factor	SHGC	SHGC Source	Exterior Shading	U-factor Source	SHGC	SHGC Source	Exterior Shading	
Window	Window	Front Wall	Front	0	0	0.3	NFRC	Bug Screen	0.23	NFRC	NFRC	Bug Screen	
Window 2	Window	Left Wall	Left	90	0	0.3	NFRC	Bug Screen	0.23	NFRC	NFRC	Bug Screen	
Window 3	Window	Rear Wall	Left	180	0	0.3	NFRC	Bug Screen	0.23	NFRC	NFRC	Bug Screen	

Registration Number: 223-P01018233A-000-000-0000000-0000  
 Registration Date/Time: 2023-02-14 10:23:24  
 CA Building Energy Efficiency Standards - 2022 Residential Compliance  
 Report Version: 2022.0.000  
 Schema Version: rev 20220901  
 HERS Provider: CaCERTS, Inc.  
 Report Generated: 2023-02-14 09:50:15

**CERTIFICATE OF COMPLIANCE - RESIDENTIAL PERFORMANCE COMPLIANCE METHOD**  
 Project Name: Residential Building  
 Calculation Date/Time: 2023-02-14T09:49:29-08:00  
 Input File Name: 0 Studio.rbd22x  
 CF1R-PRF-01-E (Page 2 of 11)

ENERGY DESIGN RATINGS						
Energy Design Ratings	Standard Design			Proposed Design		
	Source Energy (EDR1)	Efficiency <sup>2</sup> EDR (EDR2/Efficiency)	Total <sup>3</sup> EDR (EDR2total)	Source Energy (EDR1)	Efficiency <sup>2</sup> EDR (EDR2/Efficiency)	Total <sup>3</sup> EDR (EDR2total)
North Facing	35.2	32.2	29.4	2.1	15.1	6.5
East Facing	34.7	31.1	29	2.6	16.2	6.9
South Facing	34.8	32.2	29.5	2.5	15.1	6.4
West Facing	35.1	32.3	29.5	2.2	15	6.4
<b>RESULT: PASS</b>						
<small><sup>1</sup>Efficiency EDR includes improvements like a better building envelope and more efficient equipment.  <sup>2</sup>Total EDR includes efficiency and demand response measures such as photovoltaic (PV) system and batteries.  <sup>3</sup>Building complies when source energy, efficiency and total compliance margins are greater than or equal to zero and unmet load hour limits are not exceeded</small>						
<ul style="list-style-type: none"> <li>Standard Design PV Capacity: 1.40 kWdc</li> <li>Proposed PV Capacity Scaling: North (1.40 kWdc) East (1.40 kWdc) South (1.40 kWdc) West (1.40 kWdc)</li> </ul>						

Registration Number: 223-P01018233A-000-000-0000000-0000  
 Registration Date/Time: 2023-02-14 10:23:24  
 CA Building Energy Efficiency Standards - 2022 Residential Compliance  
 Report Version: 2022.0.000  
 Schema Version: rev 20220901  
 HERS Provider: CaCERTS, Inc.  
 Report Generated: 2023-02-14 09:50:15

**CERTIFICATE OF COMPLIANCE - RESIDENTIAL PERFORMANCE COMPLIANCE METHOD**  
 Project Name: Residential Building  
 Calculation Date/Time: 2023-02-14T09:49:29-08:00  
 Input File Name: 0 Studio.rbd22x  
 CF1R-PRF-01-E (Page 5 of 11)

ENERGY USE INTENSITY				
	Standard Design (kBtu/ft²-yr)	Proposed Design (kBtu/ft²-yr)	Compliance Margin (kBtu/ft²-yr)	Margin Percentage
North Facing				
Gross EU1	34.44	31.95	2.49	7.23
Net EU2	14.86	12.38	2.48	16.69
East Facing				
Gross EU1	34.44	31.74	2.7	7.84
Net EU2	14.86	12.16	2.7	18.17
South Facing				
Gross EU1	34.44	31.94	2.6	7.55
Net EU2	14.86	12.26	2.6	17.5
West Facing				
Gross EU1	34.44	31.92	2.52	7.32
Net EU2	14.86	12.34	2.52	16.96

Notes  
 1. Gross EU1 is Energy Use Total (not including PV) / Total Building Area.  
 2. Net EU1 is Energy Use Total (including PV) / Total Building Area.

Registration Number: 223-P01018233A-000-000-0000000-0000  
 Registration Date/Time: 2023-02-14 10:23:24  
 CA Building Energy Efficiency Standards - 2022 Residential Compliance  
 Report Version: 2022.0.000  
 Schema Version: rev 20220901  
 HERS Provider: CaCERTS, Inc.  
 Report Generated: 2023-02-14 09:50:15

**CERTIFICATE OF COMPLIANCE - RESIDENTIAL PERFORMANCE COMPLIANCE METHOD**  
 Project Name: Residential Building  
 Calculation Date/Time: 2023-02-14T09:49:29-08:00  
 Input File Name: 0 Studio.rbd22x  
 CF1R-PRF-01-E (Page 3 of 11)

ENERGY USE SUMMARY						
Energy Use	Standard Design Source Energy (EDR1) (kBtu/ft²-yr)	Standard Design TDV Energy (EDR2) (kTOD/ft²-yr)	Proposed Design Source Energy (EDR1) (kBtu/ft²-yr)	Proposed Design TDV Energy (EDR2) (kTOD/ft²-yr)	Compliance Margin (EDR1)	Compliance Margin (EDR2)
Space Heating	0	0	0.95	7.05	-0.95	-7.05
Space Cooling	1.43	27.93	0.26	7.08	1.17	20.85
IAQ Ventilation	0.53	5.69	0.53	5.69	0	0
Water Heating	3.97	46.68	3.13	34.82	0.84	11.86
Self Utilization/Flexibility Credit			0	0		0
<b>North Facing Efficiency Compliance Total</b>	<b>5.93</b>	<b>80.3</b>	<b>4.87</b>	<b>54.64</b>	<b>1.06</b>	<b>25.66</b>
Space Heating	0	0	0.66	4.79	-0.66	-4.79
Space Cooling	1.43	27.93	0.26	7.64	1.17	20.29
IAQ Ventilation	0.53	5.69	0.53	5.69	0	0
Water Heating	3.97	46.68	3.12	34.69	0.85	11.99
Self Utilization/Flexibility Credit			0	0		0
<b>East Facing Efficiency Compliance Total</b>	<b>5.93</b>	<b>80.3</b>	<b>4.57</b>	<b>52.81</b>	<b>1.36</b>	<b>27.49</b>

Registration Number: 223-P01018233A-000-000-0000000-0000  
 Registration Date/Time: 2023-02-14 10:23:24  
 CA Building Energy Efficiency Standards - 2022 Residential Compliance  
 Report Version: 2022.0.000  
 Schema Version: rev 20220901  
 HERS Provider: CaCERTS, Inc.  
 Report Generated: 2023-02-14 09:50:15

**CERTIFICATE OF COMPLIANCE - RESIDENTIAL PERFORMANCE COMPLIANCE METHOD**  
 Project Name: Residential Building  
 Calculation Date/Time: 2023-02-14T09:49:29-08:00  
 Input File Name: 0 Studio.rbd22x  
 CF1R-PRF-01-E (Page 6 of 11)

REQUIRED PV SYSTEMS											
01	02	03	04	05	06	07	08	09	10	11	12
DC System Size (kWdc)	Exception	Module Type	Array Type	Power Electronics	CFI	Azimuth (deg)	Tilt Input	Array Angle (deg)	Tilt: (x in 12)	Inverter Eff. (%)	Annual Solar Access (%)
1.4	NA	Standard (14-17%)	Fixed	none	true	150-270	n/a	n/a	<=7.12	96	98

**REQUIRED SPECIAL FEATURES**  
 The following are features that must be installed as condition for meeting the modeled energy performance for this computer analysis.  
 • Variable capacity heat pump compliance option (verification details from VCHP Staff report, Appendix B, and RA3)  
 • Northwest Energy Efficiency Alliance (NEEA) rated heat pump water heaters, specific brand/model, or equivalent, must be installed

**HERS FEATURE SUMMARY**  
 The following is a summary of the features that must be field-verified by a certified HERS Rater as a condition for meeting the modeled energy performance for this computer analysis. Additional detail is provided in the building tables below. Registered CF2Rs and CF3Rs are required to be completed in the HERS Registry.  
 • Quality Insulation Installation (QII)  
 • Indoor air quality ventilation  
 • Kitchen range hood  
 • Verified Refrigerant Charge  
 • Airflow in habitable rooms (SC3.1.4.1.7)  
 • Verified heat pump rated heating capacity  
 • Wall-mounted thermostat in zones greater than 150 ft² (SC3.4.5)  
 • Ductless indoor units located entirely in conditioned space (SC3.1.4.1.8)

BUILDING - FEATURES INFORMATION						
01	02	03	04	05	06	07
Project Name	Conditioned Floor Area (ft²)	Number of Dwelling Units	Number of Bedrooms	Number of Zones	Number of Ventilation Cooling Systems	Number of Water Heating Systems
Residential Building	384.64	1	0	1	0	1

Registration Number: 223-P01018233A-000-000-0000000-0000  
 Registration Date/Time: 2023-02-14 10:23:24  
 CA Building Energy Efficiency Standards - 2022 Residential Compliance  
 Report Version: 2022.0.000  
 Schema Version: rev 20220901  
 HERS Provider: CaCERTS, Inc.  
 Report Generated: 2023-02-14 09:50:15







HVAC SYSTEM HEATING AND COOLING LOADS SUMMARY			
Project Name		Date	
City of Carlsbad - Pre-Approved ADU Program		2/14/2023	
System Name		Floor Area	
Ductless Mini-split		385	
<b>ENGINEERING CHECKS</b>			
<b>SYSTEM LOAD</b>		<b>COIL COOLING PEAK</b>	
Number of Systems		CFM	Sensible Latent
Heating System		COIL HTG. PEAK	
Output per System	12,800		
Total Output (Btu/h)	12,800		
Output (lb/hr/ft <sup>2</sup> )	33.3		
Cooling System			
Output per System	12,322		
Total Output (Btu/h)	12,322		
Total Output (Tons)	1.7		
Total Output (lb/hr/ft <sup>2</sup> )	32.2		
Total Output (gph/Ton)	375.1		
<b>TOTAL SYSTEM LOAD</b>		4,318	220
			3,850
<b>Air System</b>			
<b>HVAC EQUIPMENT SELECTION</b>			
CFM per System	40	11,965	0
Airflow (cfm)			9,750
Airflow (lb/hr/ft <sup>2</sup> )	0.00		
Airflow (gph/ton)	0.00		
Outside Air (cfm)	0.00	11,965	0
Outside Air (gph)	0.00		9,750
Outside Air (lb/hr/ft <sup>2</sup> )	0.00		
Notes: values shown given at AHJ conditions		TIME OF SYSTEM PEAK	
		Avg 2 PM	
		JAN 1 AM	
<b>HEATING SYSTEM PSYCHROMETRICS (Airstream Temperatures at Time of Heating Peak)</b>			
<b>COOLING SYSTEM PSYCHROMETRICS (Airstream Temperatures at Time of Cooling Peak)</b>			

BY USING THESE PERMIT READY CONSTRUCTION DOCUMENTS, THE RECIPIENT ACKNOWLEDGES, ACCEPTS AND VOLUNTARILY AFFIRMS THE FOLLOWING CONDITIONS:  
 1. THE USE OF THIS INFORMATION IS RESTRICTED TO THE ORIGINAL PROJECT FOR WHICH IT WAS PREPARED FOR THE PERMIT READY ACCESSORY DWELLING UNIT (ADU) PROGRAM FOR THE CITY OF CARLSBAD ONLY. THIS IS A LIMITED SET OF STANDARDIZED ADU PLANS AND SPECIFICATIONS APPROVED BY THE CITY OF CARLSBAD BUILDING DEPARTMENT. BUILDING CODES DO CHANGE OVER TIME AND RECIPIENT SHALL ENSURE FULL COMPLIANCE UNDER ALL CODES THEN IN EFFECT AT THE TIME OF THE SUBJECT PERMIT. THIS DOES NOT ELIMINATE OR REDUCE THE RECIPIENT'S RESPONSIBILITY TO VERIFY ANY AND ALL INFORMATION RELEVANT TO THE RECIPIENT'S WORK AND RESPONSIBILITY ON THIS PROJECT. DESIGN PATH STUDIO SHALL NOT BE RESPONSIBLE FOR TRANSLATION ERRORS. DO NOT USE THESE CONSTRUCTION DOCUMENTS IF THE PERMIT HAS EXPIRED OR IS REVOKED AT ALL.  
 2. THE RECIPIENT RECOGNIZES AND ACKNOWLEDGES THAT THE USE OF THIS INFORMATION WILL BE AT THEIR SOLE RISK AND WITHOUT ANY LIABILITY OR LEGAL EXPOSURE TO DESIGN PATH STUDIO. NO WARRANTIES OF ANY NATURE, WHETHER EXPRESS OR IMPLIED, SHALL ATTACH TO THESE DOCUMENTS AND THE INFORMATION CONTAINED THEREON. ANY USE, REUSE, OR ALTERATION OF THESE DOCUMENTS BY THE RECIPIENT OR BY OTHERS WILL BE AT THE RECIPIENT'S RISK AND FULL LEGAL RESPONSIBILITY. FURTHERMORE, THE RECIPIENT WILL, TO THE FULLEST EXTENT PERMITTED BY LAW, DEFEND, INDEMNIFY AND HOLD DESIGN PATH STUDIO AND ITS ARCHITECTS HARMLESS FROM ANY AND ALL CLAIMS, SUITS, LIABILITY, DEMANDS, JUDGMENTS, OR COSTS ARISING OUT OF OR RESULTING THERE FROM ANY USE OF THESE CONSTRUCTION DOCUMENTS FOR OR ON ACCOUNT OF ANY INJURY, DEATH, DAMAGE OR LOSS TO PERSONS OR PROPERTY, DIRECT OR CONSEQUENTIAL DAMAGES IN ANY AMOUNT. THIS INDEMNITY DOES NOT APPLY TO THE SOLE NEGLIGENCE OR WILLFUL MISCONDUCT OF DESIGN PATH STUDIO OR ITS ARCHITECTS.  
 3. THE DESIGNS REPRESENTED BY THESE PLANS ARE COPYRIGHTED AND ARE SUBJECT TO COPYRIGHT PROTECTION.  
 4. IF THE RECIPIENT DOES NOT AGREE WITH THE ABOVE CONDITIONS, DO NOT PROCEED WITH CONSTRUCTION OF AN ADU OR OTHER IMPROVEMENT UNDER THESE PLANS AT ALL.

project  
 City of Carlsbad  
 Pre-Approved ADU  
 Program

revisions  
 △  
 △  
 △  
 △  
 △

description  
 Energy  
 Calculations  
 Studio

date 05 May 2023

project no. 2022\_Carlsbad\_ADU

drawn by Design Path Studio

sheet no. T24.3

