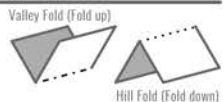
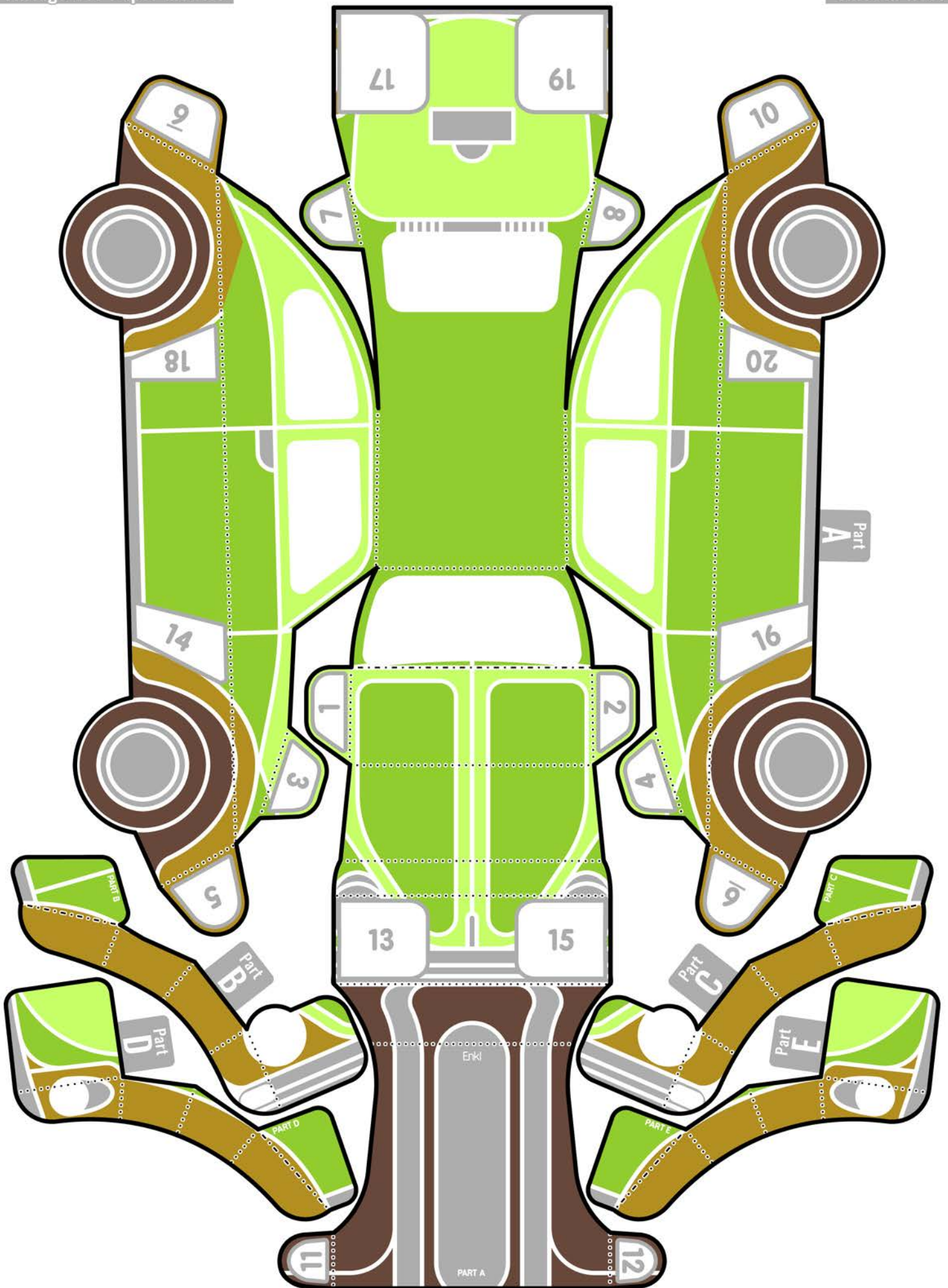


Recommended
 Print onto 250gsm or heavier cardstock for best results.
 Score fold lines first using a craft knife or empty ball point pen.
 Check for instructions before building.

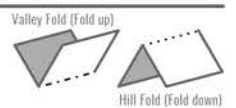
- 1) Cut
- 2) Hill Fold
- 3) Valley Fold
- 4) Glue



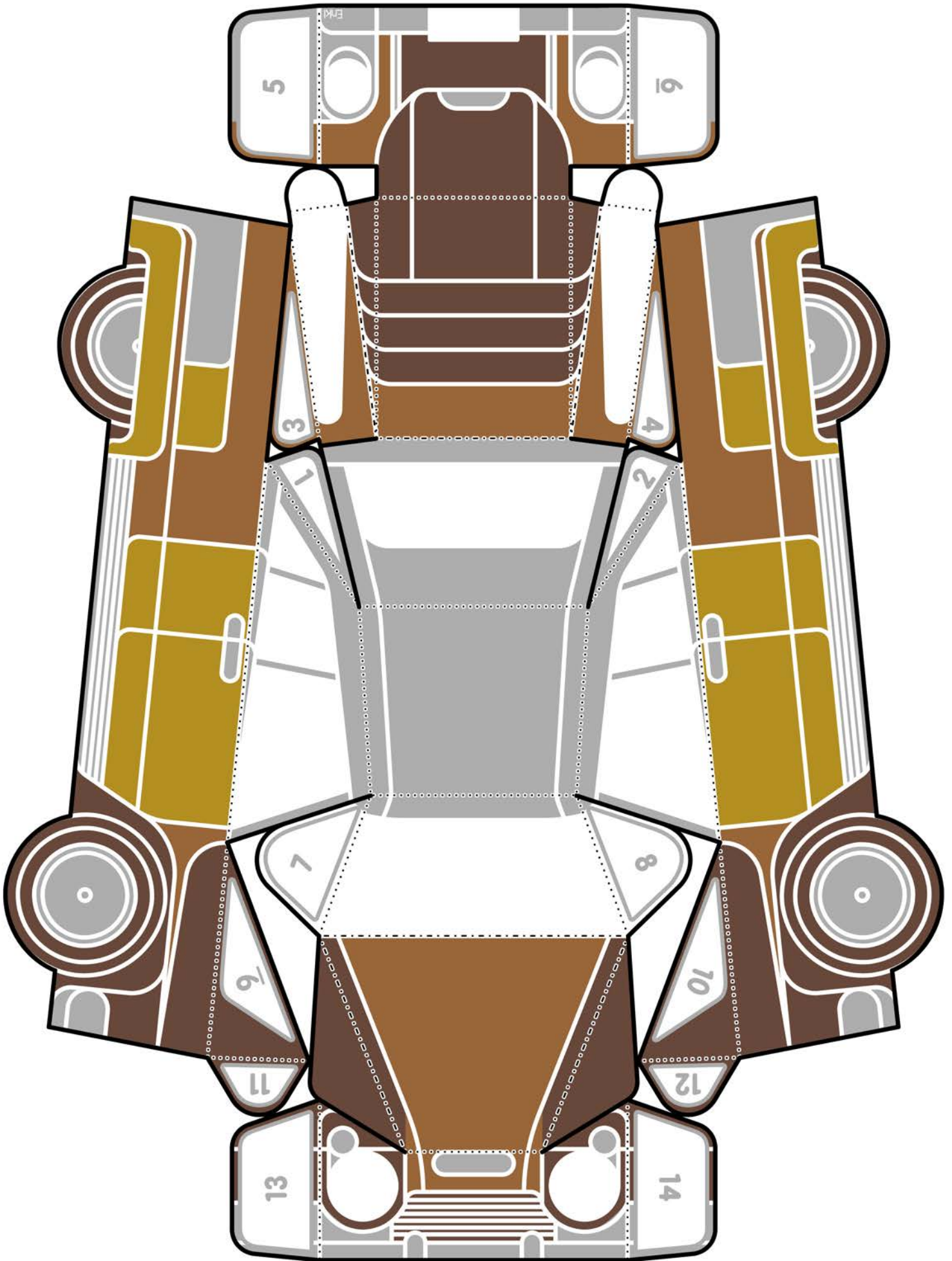


Recommended
 Print onto 250gsm or heavier cardstock for best results.
 Score fold lines first using a craft knife or empty ball point pen.
 Check for instructions before building.

- 1) Cut
- 2) Hill Fold
- 3) Valley Fold
- 4) Glue

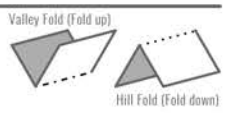


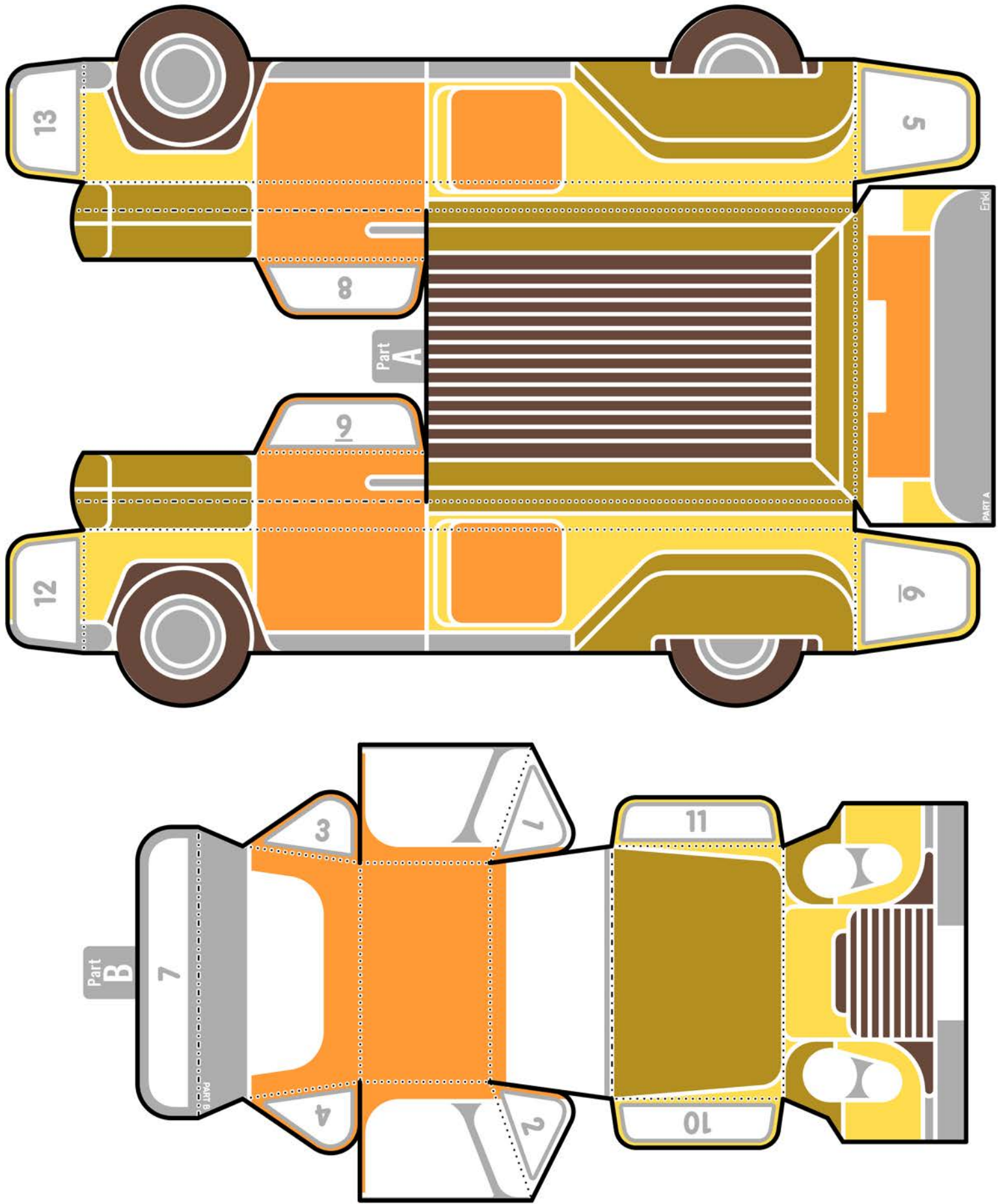
Hill Fold (Fold down)



Recommended
Print onto 250gsm or heavier cardstock for best results.
Score fold lines first using a craft knife or empty ball point pen.
Check for instructions before building.

- 1) Cut
- 2) Hill Fold
- 3) Valley Fold
- 4) Glue





Recommended

Print onto 250gsm or heavier cardstock for best results.
Score fold lines first using a craft knife or empty ball point pen.
Check for instructions before building.

- 1) Cut 
- 2) Hill Fold 
- 3) Valley Fold 
- 4) Glue 

Valley Fold (Fold up)



Hill Fold (Fold down)

Vintage Car Paper Models

Basic Instructions

Printing You can print all ENKL products on conventional printer paper but end results may be less stable than those printed onto card. We recommend printing these ENKL products on 250gsm cardstock for best results. Printing onto thicker card may make the models more difficult to build.

Cutting Cut along the solid black outlines. You can use either scissors or a craft knife to cut out the model. ENKL recommends using scissors for curved areas and a craft knife for more intricate outlines. Designs can mostly be built without a craft knife unless requiring one is explicitly mentioned.

Folding Fold along the dotted lines, following the key below to fold up, or down. For best results we recommend scoring along the lines before folding by lightly pressing on them with either a craft knife or empty ballpoint pen.

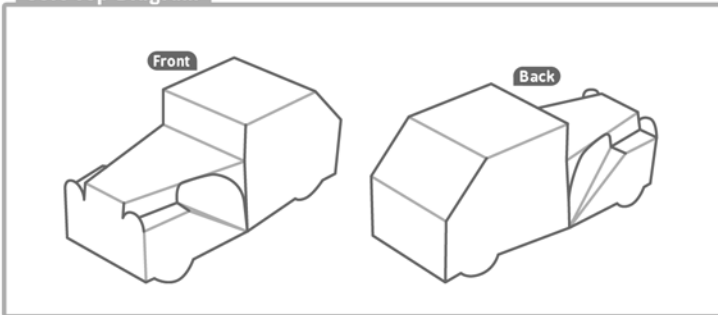


Gluing Glue the tabs in the order that they're numbered. Every tab consists of white space with a number or letter inside like the example below. For best results use a non-liquid glue that dries quickly and apply it evenly to the entire tab.

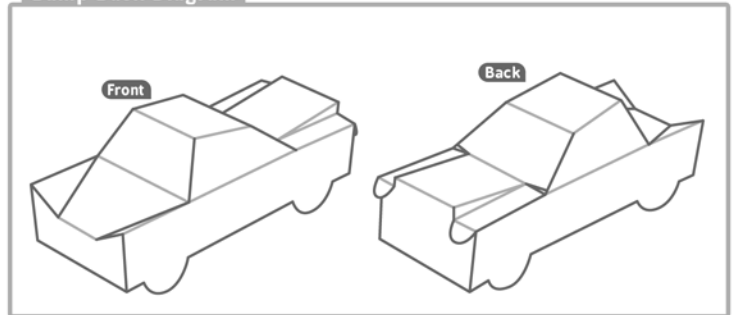


Parts For models with numerous parts you will find labels on the page to help with the construction. Each part has a label on the page marked "Part X" as well as a smaller label on the parts themselves. When parts need to be glued together the tabs connecting the two parts will be labelled with the corresponding part letter.

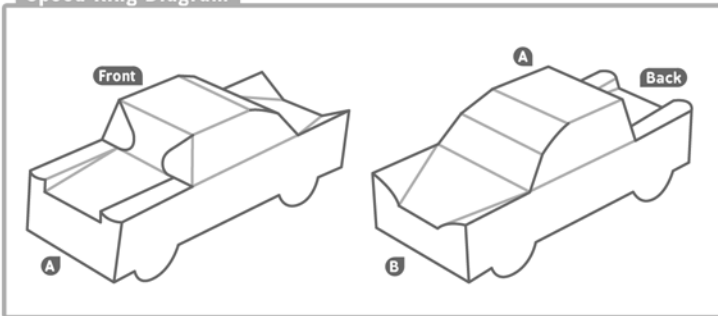
Soft Top Diagram



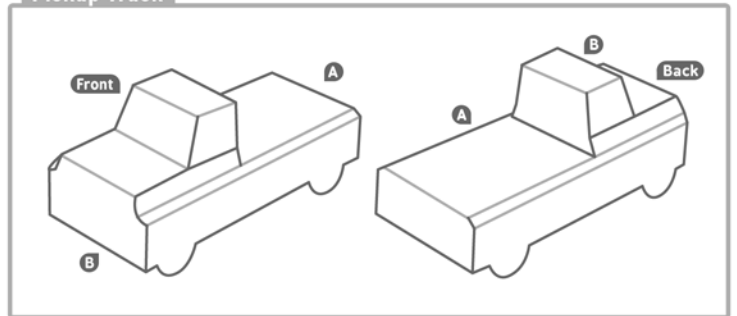
Bump Back Diagram



Speed King Diagram



Pickup Truck



Smooth Roof Diagram

